

V_CXMK2_1_1P1
 2023_1_1P1.84000

V_CXMK2_1_1P1
 2023_1_1P1.84000

V_CXMK2_1_1P1
 2023_1_1P1.84000

NOT

FIELD PROVIDED - MARK-ED

NOT	NOT	NOT	NOT
FIELD-AT	FIELD-AT	FIELD-AT	FIELD-AT
NOT	NOT	NOT	NOT
FIELD-AT	FIELD-AT	FIELD-AT	FIELD-AT
NOT	NOT	NOT	NOT
FIELD-AT	FIELD-AT	FIELD-AT	FIELD-AT
NOT	NOT	NOT	NOT
FIELD-AT	FIELD-AT	FIELD-AT	FIELD-AT

ALLEN & HEATH

Alencon Technology Systems
 Parkway Corporate
 England, Tennessee

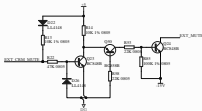
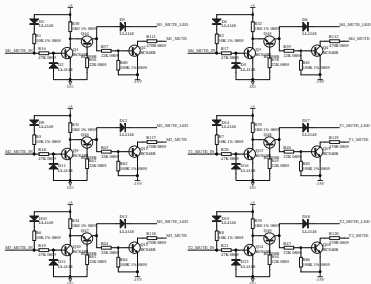
Tel: +44 (0)1535 372330
 Fax: +44 (0)1535 371953

ISSUE NO	DATE	REV
1	23/02/2023	
1.1	23/02/2023	
1.1	23/02/2023	

TITLE: XB-14 MK2 LOGIC	
PAGE:	
* All parts to be BuRHS Compliant	
FILE: CXMK2_1_1.dwg	PROJECT: XB-14 MK2 LOGIC

DRG No: C8394	ISSUE: 1.1	SHEET: 0 of 3
---------------	------------	---------------

31



ALLEN & HEATH

ALLEN & HEATH LTD.
 PLYMOUTH, CORNWALL
 ENGLAND TR9 9JL

Tel: +44 (0)1508 372930
 Fax: +44 (0)1508 371153

REV	BY	DATE	CHK
1	T	22.02.2007	
1-1	MB	24.04.2013	
	MB	25.04.2013	

FILE: CDRM_1_001_200203

ISS: ds-gates
 Issues 001,01,02,03,04,05,06,07,08,09,10,11,12,13,14,15,16,17,18,19,20,21,22,23,24,25,26,27,28,29,30,31,32,33,34,35,36,37,38,39,40,41,42,43,44,45,46,47,48,49,50,51,52,53,54

All parts to be Bristols Compliant

TITLE: XB-14 MK2 LOGIC

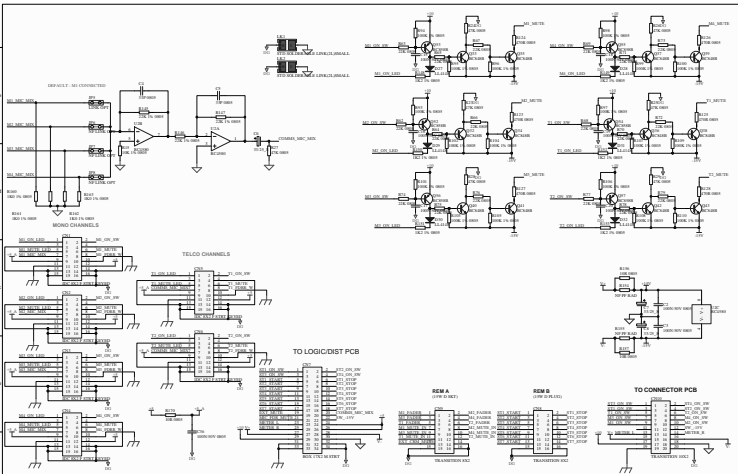
PAGE:

DRG No: C8394 ISSUE: 1.1 SHEET: 1 of 3

PRINTED:

21/04/10 10:56:04

34



ALLEN & HEATH
 10000
 Perspex, Cornwall
 England TR26 3JL
 Tel: +44 (0)1326 372930
 Fax: +44 (0)1326 376163

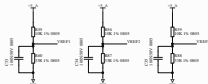
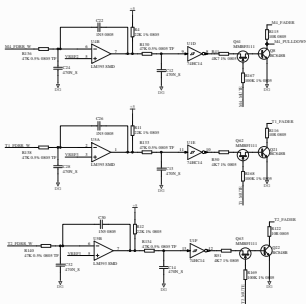
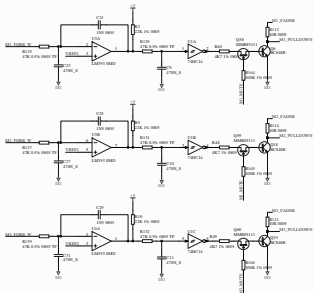
REV	DATE	BY
001	25.09.87	25.09.87
1	26.04.91	26.04.91
1.1	26.04.91	26.04.91

FILE: XB14.MK2 (2) 2000

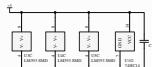
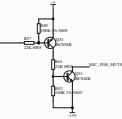
PRINTED: 21/04/92 10:00:00

All parts to be Bultex Compliant

TITLE: XB-14 MK2 LOGIC
 PAGE:
 DRG No: C8394 ISSUE: 1.1 SHEET: 2 OF 3



REQUIRE - ALL CONNECTED



ALLEN & HEATH

ALLEN & HEATH INSTRUMENTS
 PLYMOUTH, CORNWALL
 ENGLAND TR9 5LJ
 T: +44 (0)1508 372930
 F: +44 (0)1508 371153

REV	DATE	BY	CHK
1	25/09/03	DAVID	
1-1	26/09/03	DAVID	

FILE: C8394_1_07102003

All pins to be Bussed Completely

TITLE: XB-14 MK2 LOGIC

PAGE:

PRINTED:

25/09/03 16:30:00

DRG No: C8394

ISSUE: 1.1 SHEET: 3 OF 3

Designator	Description	A&H PART
C1	CAPACITOR CERAMIC SMD0805 100N 50V (AF2851)	AF2851
C2	CAPACITOR CERAMIC SMD0805 100N 50V (AF2851)	AF2851
C3	CAPACITOR CERAMIC SMD0805 100N 50V (AF2851)	AF2851
C4	CAPACITOR CERAMIC SMD0805 33P (AF4887)	AF4887
C5	CAPACITOR CERAMIC SMD0805 33P (AF4887)	AF4887
C6	CAPACITOR ELECTROLYTIC SMD 33uF 25V (AF3979)	AF3979
C7	CAPACITOR ELECTROLYTIC SMD 33uF 25V (AF3979)	AF3979
C8	CAPACITOR ELECTROLYTIC SMD 33uF 25V (AF3979)	AF3979
C9	CAPACITOR CERAMIC SMD0805 470N 50V (AF4544)	AF4544
C10	CAPACITOR CERAMIC SMD0805 470N 50V (AF4544)	AF4544
C11	CAPACITOR CERAMIC SMD0805 470N 50V (AF4544)	AF4544
C12	CAPACITOR CERAMIC SMD0805 470N 50V (AF4544)	AF4544
C13	CAPACITOR CERAMIC SMD0805 470N 50V (AF4544)	AF4544
C14	CAPACITOR CERAMIC SMD0805 470N 50V (AF4544)	AF4544
C15	CAPACITOR CERAMIC SMD0805 100N 50V (AF2851)	AF2851
C16	CAPACITOR CERAMIC SMD0805 100N 50V (AF2851)	AF2851
C17	CAPACITOR CERAMIC SMD0805 100N 50V (AF2851)	AF2851
C18	CAPACITOR CERAMIC SMD0805 100N 50V (AF2851)	AF2851
C19	CAPACITOR CERAMIC SMD0805 100N 50V (AF2851)	AF2851
C20	CAPACITOR CERAMIC SMD0805 100N 50V (AF2851)	AF2851
C21	CAPACITOR CERAMIC SMD0805 1N5 (AF2991)	AF2991
C22	CAPACITOR CERAMIC SMD0805 1N5 (AF2991)	AF2991
C23	CAPACITOR CERAMIC SMD0805 470N 50V (AF4544)	AF4544
C24	CAPACITOR CERAMIC SMD0805 470N 50V (AF4544)	AF4544
C25	CAPACITOR CERAMIC SMD0805 1N5 (AF2991)	AF2991
C26	CAPACITOR CERAMIC SMD0805 1N5 (AF2991)	AF2991
C27	CAPACITOR CERAMIC SMD0805 470N 50V (AF4544)	AF4544
C28	CAPACITOR CERAMIC SMD0805 470N 50V (AF4544)	AF4544
C29	CAPACITOR CERAMIC SMD0805 1N5 (AF2991)	AF2991
C30	CAPACITOR CERAMIC SMD0805 1N5 (AF2991)	AF2991
C31	CAPACITOR CERAMIC SMD0805 470N 50V (AF4544)	AF4544
C32	CAPACITOR CERAMIC SMD0805 470N 50V (AF4544)	AF4544
C33	CAPACITOR CERAMIC SMD0805 100N 50V (AF2851)	AF2851
C34	CAPACITOR CERAMIC SMD0805 100N 50V (AF2851)	AF2851
C35	CAPACITOR CERAMIC SMD0805 100N 50V (AF2851)	AF2851
C36	CAPACITOR CERAMIC SMD0805 100N 50V (AF2851)	AF2851
CN1	Connector IDC,Molex Type 0.1" Pitch 8x2 pins Female Straight Keyed (AL4740)	AL4740
CN2	Connector IDC,Molex Type 0.1" Pitch 8x2 pins Female Straight Keyed (AL4740)	AL4740
CN3	Connector IDC,Molex Type 0.1" Pitch 8x2 pins Female Straight Keyed (AL4740)	AL4740
CN4	Connector IDC,Molex Type 0.1" Pitch 8x2 pins Female Straight Keyed (AL4740)	AL4740
CN5	Connector IDC,Molex Type 0.1" Pitch 8x2 pins Female Straight Keyed (AL4740)	AL4740
CN6	Connector IDC,Molex Type 0.1" Pitch 8x2 pins Female Straight Keyed (AL4740)	AL4740
CN7	Connector IDC,Molex Type 0.1" Pitch 17x2 pins (AL3978)	AL3978
CN8	Connector Harness Transition 8x2	TRANS HARNESS ASSY
CN9	Connector Harness Transition 8x2	TRANS HARNESS ASSY

CN10	Connector Harness Transition 10x2	TRANS HARNESS ASSY
D1	DIODE SIGNAL SMD LL4148 (AE5343)	AE5343
D2	DIODE SIGNAL SMD LL4148 (AE5343)	AE5343
D3	DIODE SIGNAL SMD LL4148 (AE5343)	AE5343
D4	DIODE SIGNAL SMD LL4148 (AE5343)	AE5343
D5	DIODE SIGNAL SMD LL4148 (AE5343)	AE5343
D6	DIODE SIGNAL SMD LL4148 (AE5343)	AE5343
D9	DIODE SIGNAL SMD LL4148 (AE5343)	AE5343
D10	DIODE SIGNAL SMD LL4148 (AE5343)	AE5343
D11	DIODE SIGNAL SMD LL4148 (AE5343)	AE5343
D12	DIODE SIGNAL SMD LL4148 (AE5343)	AE5343
D13	DIODE SIGNAL SMD LL4148 (AE5343)	AE5343
D14	DIODE SIGNAL SMD LL4148 (AE5343)	AE5343
D15	DIODE SIGNAL SMD LL4148 (AE5343)	AE5343
D16	DIODE SIGNAL SMD LL4148 (AE5343)	AE5343
D17	DIODE SIGNAL SMD LL4148 (AE5343)	AE5343
D18	DIODE SIGNAL SMD LL4148 (AE5343)	AE5343
D21	DIODE SIGNAL SMD LL4148 (AE5343)	AE5343
D22	DIODE SIGNAL SMD LL4148 (AE5343)	AE5343
D23	DIODE SIGNAL SMD LL4148 (AE5343)	AE5343
D26	DIODE SIGNAL SMD LL4148 (AE5343)	AE5343
D27	DIODE SIGNAL SMD LL4148 (AE5343)	AE5343
D28	DIODE SIGNAL SMD LL4148 (AE5343)	AE5343
D29	DIODE SIGNAL SMD LL4148 (AE5343)	AE5343
D30	DIODE SIGNAL SMD LL4148 (AE5343)	AE5343
D31	DIODE SIGNAL SMD LL4148 (AE5343)	AE5343
D32	DIODE SIGNAL SMD LL4148 (AE5343)	AE5343
D33	DIODE SIGNAL SMD LL4148 (AE5343)	AE5343
D34	DIODE SIGNAL SMD LL4148 (AE5343)	AE5343
D35	DIODE SIGNAL SMD LL4148 (AE5343)	AE5343
D36	DIODE SIGNAL SMD LL4148 (AE5343)	AE5343
JP1	LINK ASSIGNMENT TC WIRE ,AH0070	AH0070
JP2	LINK ASSIGNMENT TC WIRE ,AH0070	AH0070
JP3	LINK ASSIGNMENT TC WIRE ,AH0070	AH0070
JP4	LINK ASSIGNMENT TC WIRE ,AH0070	AH0070
JP5	LINK ASSIGNMENT TC WIRE ,AH0070	AH0070
JP6	LINK ASSIGNMENT NOT FITTED	NO PART
JP7	LINK ASSIGNMENT NOT FITTED	NO PART
JP8	LINK ASSIGNMENT NOT FITTED	NO PART
Q1	TRANSISTOR NPN BC848B (AE3332)	AE3332
Q2	TRANSISTOR NPN BC848B (AE3332)	AE3332
Q3	TRANSISTOR NPN BC848B (AE3332)	AE3332
Q4	TRANSISTOR NPN BC848B (AE3332)	AE3332
Q6	TRANSISTOR NPN BC848B (AE3332)	AE3332
Q8	TRANSISTOR NPN BC848B (AE3332)	AE3332
Q9	TRANSISTOR NPN BC848B (AE3332)	AE3332
Q10	TRANSISTOR NPN BC848B (AE3332)	AE3332
Q11	TRANSISTOR NPN BC848B (AE3332)	AE3332
Q12	TRANSISTOR NPN BC848B (AE3332)	AE3332

Q13	TRANSISTOR NPN BC848B (AE3332)	AE3332
Q14	TRANSISTOR NPN BC848B (AE3332)	AE3332
Q15	TRANSISTOR NPN BC848B (AE3332)	AE3332
Q16	TRANSISTOR NPN BC848B (AE3332)	AE3332
Q18	TRANSISTOR NPN BC848B (AE3332)	AE3332
Q19	TRANSISTOR NPN BC848B (AE3332)	AE3332
Q21	TRANSISTOR NPN BC848B (AE3332)	AE3332
Q22	TRANSISTOR NPN BC848B (AE3332)	AE3332
Q23	TRANSISTOR NPN BC848B (AE3332)	AE3332
Q24	TRANSISTOR NPN BC848B (AE3332)	AE3332
Q31	TRANSISTOR NPN BC848B (AE3332)	AE3332
Q32	TRANSISTOR NPN BC848B (AE3332)	AE3332
Q33	TRANSISTOR NPN BC848B (AE3332)	AE3332
Q34	TRANSISTOR NPN BC848B (AE3332)	AE3332
Q35	TRANSISTOR NPN BC848B (AE3332)	AE3332
Q36	TRANSISTOR NPN BC848B (AE3332)	AE3332
Q37	TRANSISTOR NPN BC848B (AE3332)	AE3332
Q38	TRANSISTOR NPN BC848B (AE3332)	AE3332
Q39	TRANSISTOR NPN BC848B (AE3332)	AE3332
Q40	TRANSISTOR NPN BC848B (AE3332)	AE3332
Q41	TRANSISTOR NPN BC848B (AE3332)	AE3332
Q42	TRANSISTOR NPN BC848B (AE3332)	AE3332
Q43	TRANSISTOR NPN BC848B (AE3332)	AE3332
Q44	TRANSISTOR PNP BC858B (AE3042)	AE3042
Q45	TRANSISTOR PNP BC858B (AE3042)	AE3042
Q46	TRANSISTOR PNP BC858B (AE3042)	AE3042
Q47	TRANSISTOR PNP BC858B (AE3042)	AE3042
Q48	TRANSISTOR PNP BC858B (AE3042)	AE3042
Q49	TRANSISTOR PNP BC858B (AE3042)	AE3042
Q50	TRANSISTOR PNP BC858B (AE3042)	AE3042
Q51	TRANSISTOR PNP BC858B (AE3042)	AE3042
Q52	TRANSISTOR PNP BC858B (AE3042)	AE3042
Q53	TRANSISTOR PNP BC858B (AE3042)	AE3042
Q54	TRANSISTOR PNP BC858B (AE3042)	AE3042
Q55	TRANSISTOR PNP BC858B (AE3042)	AE3042
Q56	TRANSISTOR PNP BC858B (AE3042)	AE3042
Q57	TRANSISTOR PNP BC858B (AE3042)	AE3042
Q58	TRANSISTOR SMD JFET N CHANNEL MMBFJ111 (AE5523)	AE5523
Q59	TRANSISTOR SMD JFET N CHANNEL MMBFJ111 (AE5523)	AE5523
Q60	TRANSISTOR SMD JFET N CHANNEL MMBFJ111 (AE5523)	AE5523
Q61	TRANSISTOR SMD JFET N CHANNEL MMBFJ111 (AE5523)	AE5523
Q62	TRANSISTOR SMD JFET N CHANNEL MMBFJ111 (AE5523)	AE5523
Q63	TRANSISTOR SMD JFET N CHANNEL MMBFJ111 (AE5523)	AE5523
R1	RESISTOR METAL FILM SMD0805 10K 1% (AC2841)	AC2841
R2	RESISTOR METAL FILM SMD0805 10K 1% (AC2841)	AC2841
R3	RESISTOR METAL FILM SMD0805 22K 1% (AC2842)	AC2842
R4	RESISTOR METAL FILM SMD0805 22K 1% (AC2842)	AC2842
R5	RESISTOR METAL FILM SMD0805 10K 1% (AC2841)	AC2841
R6	RESISTOR METAL FILM SMD0805 10K 1% (AC2841)	AC2841
R7	RESISTOR METAL FILM SMD0805 10K 1% (AC2841)	AC2841

R8	RESISTOR METAL FILM SMD0805 10K 1% (AC2841)	AC2841
R9	RESISTOR METAL FILM SMD0805 22K 1% (AC2842)	AC2842
R10	RESISTOR METAL FILM SMD0805 22K 1% (AC2842)	AC2842
R11	RESISTOR METAL FILM SMD0805 22K 1% (AC2842)	AC2842
R12	RESISTOR METAL FILM SMD0805 22K 1% (AC2842)	AC2842
R13	RESISTOR METAL FILM SMD0805 10K 1% (AC2841)	AC2841
R14	RESISTOR METAL FILM SMD0805 10K 1% (AC2841)	AC2841
R15	RESISTOR METAL FILM SMD0805 10K 1% (AC2841)	AC2841
R16	RESISTOR CARBON SMD0805 47K 5% (AC3035)	AC3035
R17	RESISTOR CARBON SMD0805 47K 5% (AC3035)	AC3035
R18	RESISTOR CARBON SMD0805 47K 5% (AC3035)	AC3035
R19	RESISTOR CARBON SMD0805 47K 5% (AC3035)	AC3035
R20	RESISTOR CARBON SMD0805 47K 5% (AC3035)	AC3035
R21	RESISTOR CARBON SMD0805 47K 5% (AC3035)	AC3035
R22	RESISTOR CARBON SMD0805 47K 5% (AC3035)	AC3035
R23	RESISTOR CARBON SMD0805 47K 5% (AC3035)	AC3035
R24	RESISTOR CARBON SMD0805 47K 5% (AC3035)	AC3035
R25	RESISTOR CARBON SMD0805 47K 5% (AC3035)	AC3035
R26	RESISTOR CARBON SMD0805 47K 5% (AC3035)	AC3035
R27	RESISTOR CARBON SMD0805 47K 5% (AC3035)	AC3035
R28	RESISTOR CARBON SMD0805 47K 5% (AC3035)	AC3035
R29	RESISTOR CARBON SMD0805 47K 5% (AC3035)	AC3035
R30	RESISTOR METAL FILM SMD0805 1K0 1% (AC0369)	AC0369
R31	RESISTOR METAL FILM SMD0805 1K0 1% (AC0369)	AC0369
R32	RESISTOR METAL FILM SMD0805 1K0 1% (AC0369)	AC0369
R33	RESISTOR METAL FILM SMD0805 1K0 1% (AC0369)	AC0369
R34	RESISTOR METAL FILM SMD0805 1K0 1% (AC0369)	AC0369
R35	RESISTOR METAL FILM SMD0805 1K0 1% (AC0369)	AC0369
R36	RESISTOR CARBON SMD0805 22K 5% (AC3540)	AC3540
R37	RESISTOR CARBON SMD0805 22K 5% (AC3540)	AC3540
R38	RESISTOR CARBON SMD0805 22K 5% (AC3540)	AC3540
R39	RESISTOR CARBON SMD0805 22K 5% (AC3540)	AC3540
R40	RESISTOR METAL FILM SMD0805 4K7 1% (AC3062)	AC3062
R41	RESISTOR METAL FILM SMD0805 4K7 1% (AC3062)	AC3062
R42	RESISTOR CARBON SMD0805 22K 5% (AC3540)	AC3540
R43	RESISTOR CARBON SMD0805 22K 5% (AC3540)	AC3540
R44	RESISTOR CARBON SMD0805 22K 5% (AC3540)	AC3540
R45	RESISTOR CARBON SMD0805 22K 5% (AC3540)	AC3540
R46	RESISTOR CARBON SMD0805 22K 5% (AC3540)	AC3540
R47	RESISTOR CARBON SMD0805 22K 5% (AC3540)	AC3540
R48	RESISTOR METAL FILM SMD0805 4K7 1% (AC3062)	AC3062
R49	RESISTOR METAL FILM SMD0805 4K7 1% (AC3062)	AC3062
R50	RESISTOR METAL FILM SMD0805 4K7 1% (AC3062)	AC3062
R51	RESISTOR METAL FILM SMD0805 4K7 1% (AC3062)	AC3062
R52	RESISTOR CARBON SMD0805 22K 5% (AC3540)	AC3540
R53	RESISTOR CARBON SMD0805 22K 5% (AC3540)	AC3540
R54	RESISTOR CARBON SMD0805 22K 5% (AC3540)	AC3540
R55	RESISTOR METAL FILM SMD0805 10K 1% (AC2841)	AC2841
R56	RESISTOR METAL FILM SMD0805 10K 1% (AC2841)	AC2841
R57	RESISTOR CARBON SMD0805 22K 5% (AC3540)	AC3540

R58	RESISTOR CARBON SMD0805 22K 5% (AC3540)	AC3540
R59	RESISTOR METAL FILM SMD0805 10K 1% (AC2841)	AC2841
R60	RESISTOR METAL FILM SMD0805 33R 1% (AC2839)	AC2839
R61	RESISTOR CARBON SMD0805 22K 5% (AC3540)	AC3540
R62	RESISTOR CARBON SMD0805 22K 5% (AC3540)	AC3540
R63	RESISTOR CARBON SMD0805 22K 5% (AC3540)	AC3540
R64	RESISTOR CARBON SMD0805 22K 5% (AC3540)	AC3540
R65	RESISTOR CARBON SMD0805 22K 5% (AC3540)	AC3540
R66	RESISTOR CARBON SMD0805 22K 5% (AC3540)	AC3540
R67	RESISTOR CARBON SMD0805 22K 5% (AC3540)	AC3540
R68	RESISTOR CARBON SMD0805 22K 5% (AC3540)	AC3540
R69	RESISTOR CARBON SMD0805 22K 5% (AC3540)	AC3540
R70	RESISTOR CARBON SMD0805 22K 5% (AC3540)	AC3540
R71	RESISTOR CARBON SMD0805 22K 5% (AC3540)	AC3540
R72	RESISTOR CARBON SMD0805 22K 5% (AC3540)	AC3540
R73	RESISTOR CARBON SMD0805 22K 5% (AC3540)	AC3540
R74	RESISTOR CARBON SMD0805 22K 5% (AC3540)	AC3540
R75	RESISTOR CARBON SMD0805 22K 5% (AC3540)	AC3540
R76	RESISTOR CARBON SMD0805 22K 5% (AC3540)	AC3540
R77	RESISTOR CARBON SMD0805 22K 5% (AC3540)	AC3540
R78	RESISTOR CARBON SMD0805 22K 5% (AC3540)	AC3540
R79	RESISTOR CARBON SMD0805 22K 5% (AC3540)	AC3540
R80	RESISTOR METAL FILM SMD0805 100K 1% (AC2843)	AC2843
R81	RESISTOR METAL FILM SMD0805 100K 1% (AC2843)	AC2843
R82	RESISTOR METAL FILM SMD0805 100K 1% (AC2843)	AC2843
R83	RESISTOR METAL FILM SMD0805 100K 1% (AC2843)	AC2843
R84	RESISTOR METAL FILM SMD0805 100K 1% (AC2843)	AC2843
R85	RESISTOR METAL FILM SMD0805 100K 1% (AC2843)	AC2843
R86	RESISTOR METAL FILM SMD0805 100K 1% (AC2843)	AC2843
R87	RESISTOR METAL FILM SMD0805 33R 1% (AC2839)	AC2839
R88	RESISTOR METAL FILM SMD0805 33R 1% (AC2839)	AC2839
R89	RESISTOR METAL FILM SMD0805 100K 1% (AC2843)	AC2843
R92	RESISTOR METAL FILM SMD0805 100K 1% (AC2843)	AC2843
R93	RESISTOR METAL FILM SMD0805 100K 1% (AC2843)	AC2843
R94	RESISTOR METAL FILM SMD0805 100K 1% (AC2843)	AC2843
R95	RESISTOR METAL FILM SMD0805 100K 1% (AC2843)	AC2843
R96	RESISTOR METAL FILM SMD0805 100K 1% (AC2843)	AC2843
R97	RESISTOR METAL FILM SMD0805 100K 1% (AC2843)	AC2843
R98	RESISTOR METAL FILM SMD0805 100K 1% (AC2843)	AC2843
R99	RESISTOR METAL FILM SMD0805 100K 1% (AC2843)	AC2843
R100	RESISTOR METAL FILM SMD0805 100K 1% (AC2843)	AC2843
R101	RESISTOR METAL FILM SMD0805 100K 1% (AC2843)	AC2843
R102	RESISTOR METAL FILM SMD0805 100K 1% (AC2843)	AC2843
R103	RESISTOR METAL FILM SMD0805 100K 1% (AC2843)	AC2843
R104	RESISTOR METAL FILM SMD0805 100K 1% (AC2843)	AC2843
R105	RESISTOR METAL FILM SMD0805 100K 1% (AC2843)	AC2843
R106	RESISTOR METAL FILM SMD0805 100K 1% (AC2843)	AC2843
R107	RESISTOR METAL FILM SMD0805 100K 1% (AC2843)	AC2843
R108	RESISTOR METAL FILM SMD0805 100K 1% (AC2843)	AC2843
R109	RESISTOR METAL FILM SMD0805 100K 1% (AC2843)	AC2843

R110	RESISTOR METAL FILM SMD0805 100K 1% (AC2843)	AC2843
R111	RESISTOR CARBON SMD0805 470R 5% (AC3034)	AC3034
R112	RESISTOR CARBON SMD0805 470R 5% (AC3034)	AC3034
R113	RESISTOR CARBON SMD0805 10R 5% (AC3027)	AC3027
R114	RESISTOR CARBON SMD0805 10R 5% (AC3027)	AC3027
R115	RESISTOR CARBON SMD0805 10R 5% (AC3027)	AC3027
R116	RESISTOR CARBON SMD0805 10R 5% (AC3027)	AC3027
R117	RESISTOR CARBON SMD0805 470R 5% (AC3034)	AC3034
R118	RESISTOR CARBON SMD0805 470R 5% (AC3034)	AC3034
R119	RESISTOR CARBON SMD0805 470R 5% (AC3034)	AC3034
R120	RESISTOR CARBON SMD0805 470R 5% (AC3034)	AC3034
R121	RESISTOR CARBON SMD0805 10R 5% (AC3027)	AC3027
R122	RESISTOR CARBON SMD0805 10R 5% (AC3027)	AC3027
R123	RESISTOR CARBON SMD0805 470R 5% (AC3034)	AC3034
R124	RESISTOR CARBON SMD0805 470R 5% (AC3034)	AC3034
R125	RESISTOR CARBON SMD0805 470R 5% (AC3034)	AC3034
R126	RESISTOR CARBON SMD0805 470R 5% (AC3034)	AC3034
R127	RESISTOR CARBON SMD0805 470R 5% (AC3034)	AC3034
R128	RESISTOR CARBON SMD0805 470R 5% (AC3034)	AC3034
R129	RES SMD TF 47K 0.5% 0805 MET (H1Y85RL) (AC6024)	AC6024
R130	RES SMD TF 47K 0.5% 0805 MET (H1Y85RL) (AC6024)	AC6024
R131	RES SMD TF 47K 0.5% 0805 MET (H1Y85RL) (AC6024)	AC6024
R132	RES SMD TF 47K 0.5% 0805 MET (H1Y85RL) (AC6024)	AC6024
R133	RES SMD TF 47K 0.5% 0805 MET (H1Y85RL) (AC6024)	AC6024
R134	RES SMD TF 47K 0.5% 0805 MET (H1Y85RL) (AC6024)	AC6024
R135	RES SMD TF 47K 0.5% 0805 MET (H1Y85RL) (AC6024)	AC6024
R136	RES SMD TF 47K 0.5% 0805 MET (H1Y85RL) (AC6024)	AC6024
R137	RES SMD TF 47K 0.5% 0805 MET (H1Y85RL) (AC6024)	AC6024
R138	RES SMD TF 47K 0.5% 0805 MET (H1Y85RL) (AC6024)	AC6024
R139	RES SMD TF 47K 0.5% 0805 MET (H1Y85RL) (AC6024)	AC6024
R140	RES SMD TF 47K 0.5% 0805 MET (H1Y85RL) (AC6024)	AC6024
R145	RESISTOR METAL FILM SMD0805 22K 1% (AC2842)	AC2842
R146	RESISTOR METAL FILM SMD0805 22K 1% (AC2842)	AC2842
R147	RESISTOR METAL FILM SMD0805 22K 1% (AC2842)	AC2842
R148	RESISTOR METAL FILM SMD0805 1K2 1% (AC3059)	AC3059
R149	RESISTOR METAL FILM SMD0805 1K2 1% (AC3059)	AC3059
R150	RESISTOR METAL FILM SMD0805 1K2 1% (AC3059)	AC3059
R151	RESISTOR METAL FILM SMD0805 1K2 1% (AC3059)	AC3059
R152	RESISTOR METAL FILM SMD0805 1K2 1% (AC3059)	AC3059
R153	RESISTOR METAL FILM SMD0805 1K2 1% (AC3059)	AC3059
R154	RESISTOR CARBON NOT FITTED RADIAL	NO PART
R155	RESISTOR CARBON NOT FITTED RADIAL	NO PART
R156	RESISTOR CARBON SMD0805 10R 5% (AC3027)	AC3027
R157	RESISTOR CARBON SMD0805 10R 5% (AC3027)	AC3027
R160	RESISTOR METAL FILM SMD0805 1K0 1% (AC0369)	AC0369
R161	RESISTOR METAL FILM SMD0805 1K0 1% (AC0369)	AC0369
R162	RESISTOR METAL FILM SMD0805 1K0 1% (AC0369)	AC0369
R163	RESISTOR METAL FILM SMD0805 1K0 1% (AC0369)	AC0369
R164	RESISTOR METAL FILM SMD0805 100K 1% (AC2843)	AC2843
R165	RESISTOR METAL FILM SMD0805 100K 1% (AC2843)	AC2843

R166	RESISTOR METAL FILM SMD0805 100K 1% (AC2843)	AC2843
R167	RESISTOR METAL FILM SMD0805 100K 1% (AC2843)	AC2843
R168	RESISTOR METAL FILM SMD0805 100K 1% (AC2843)	AC2843
R169	RESISTOR METAL FILM SMD0805 100K 1% (AC2843)	AC2843
R170	RESISTOR CARBON SMD0805 10R 5% (AC3027)	AC3027
U1	IC SMD 74HC14 SCHMITT TRIG (AE2885)	AE2885
U2	IC SMD DUAL OP-AMP RC4580 (AE8921)	AE8921
U3	IC SMD DUAL OP-AMP LM393 (AE5068)	AE5068
U4	IC SMD DUAL OP-AMP LM393 (AE5068)	AE5068
U5	IC SMD DUAL OP-AMP LM393 (AE5068)	AE5068