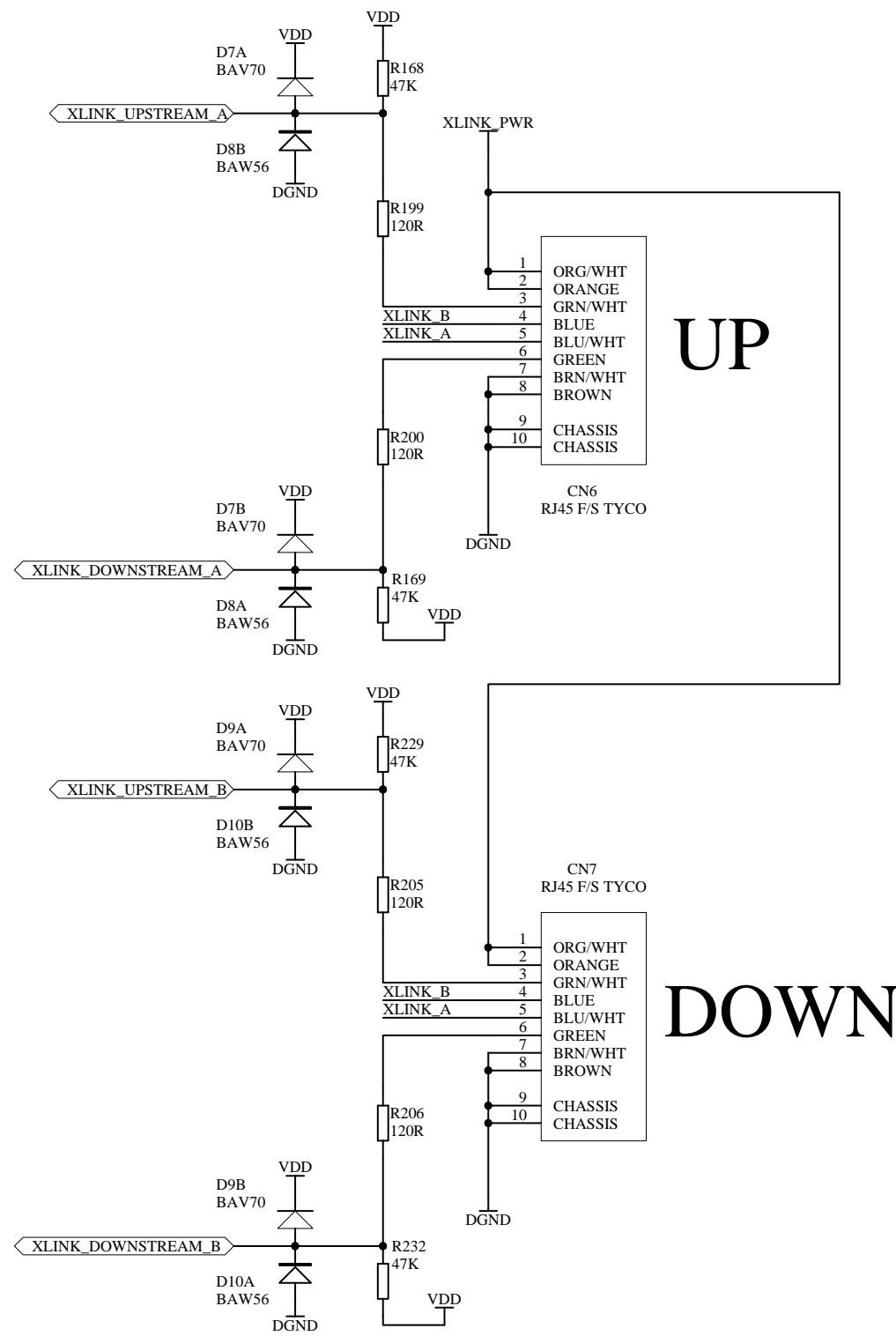
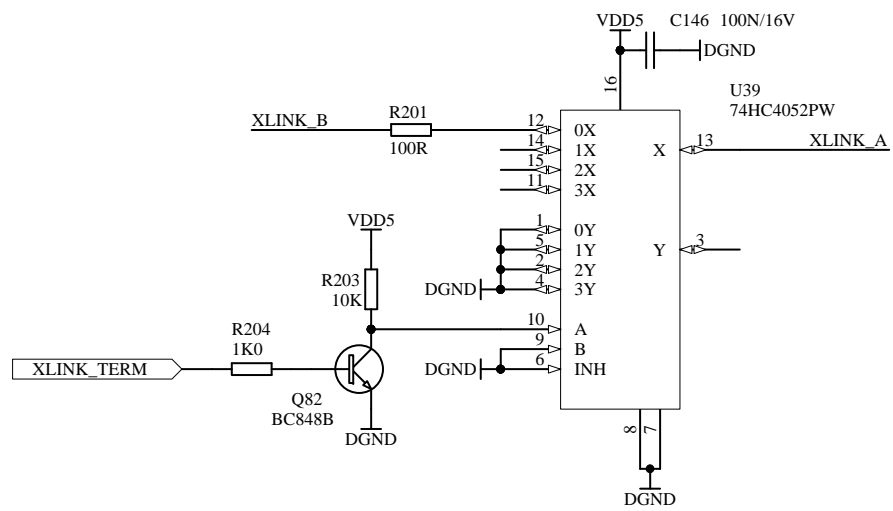
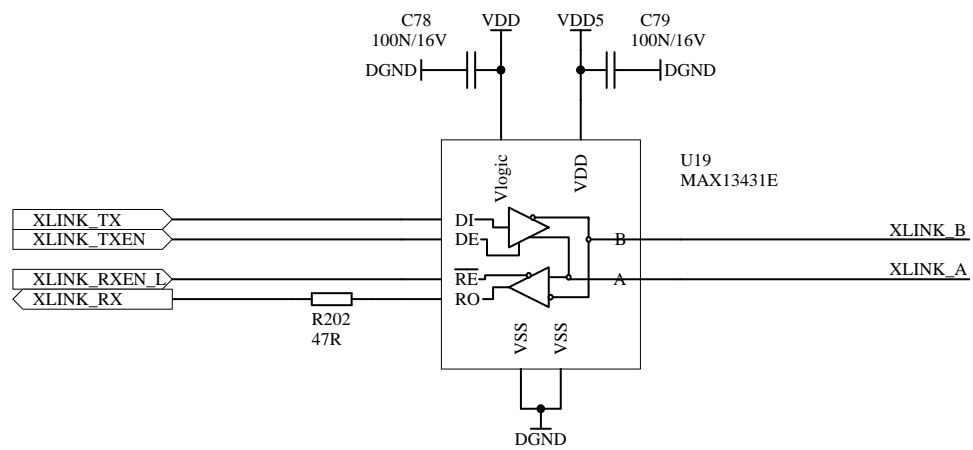


[No Variations]

* All parts to be RoHS Compliant *



ALLEN&HEATH

Kernick Industrial Estate,
Penryn, Cornwall,
England. TR10 9LU

Tel: +44 (0)1326 372070
Fax: +44 (0)1326 370153

REV	BY	DATE	ECN	CHK
4	RGW	11-7-12		XXX
4	JB	12-12-13		
5	JB	05-02-14		
5.1	GWR	13-05-14		

CIRCUITS MODIFIED TO INCLUDE K1 VARIANT

[No Variations]

Edit in Project Options, Parameters Tab.

FILE: C8454_5.1 XLink .SchDoc

* All parts to be RoHS Compliant *

XONE K SERIES

TITLE: MAIN PCB

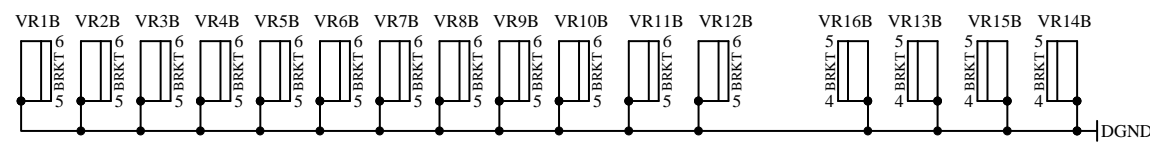
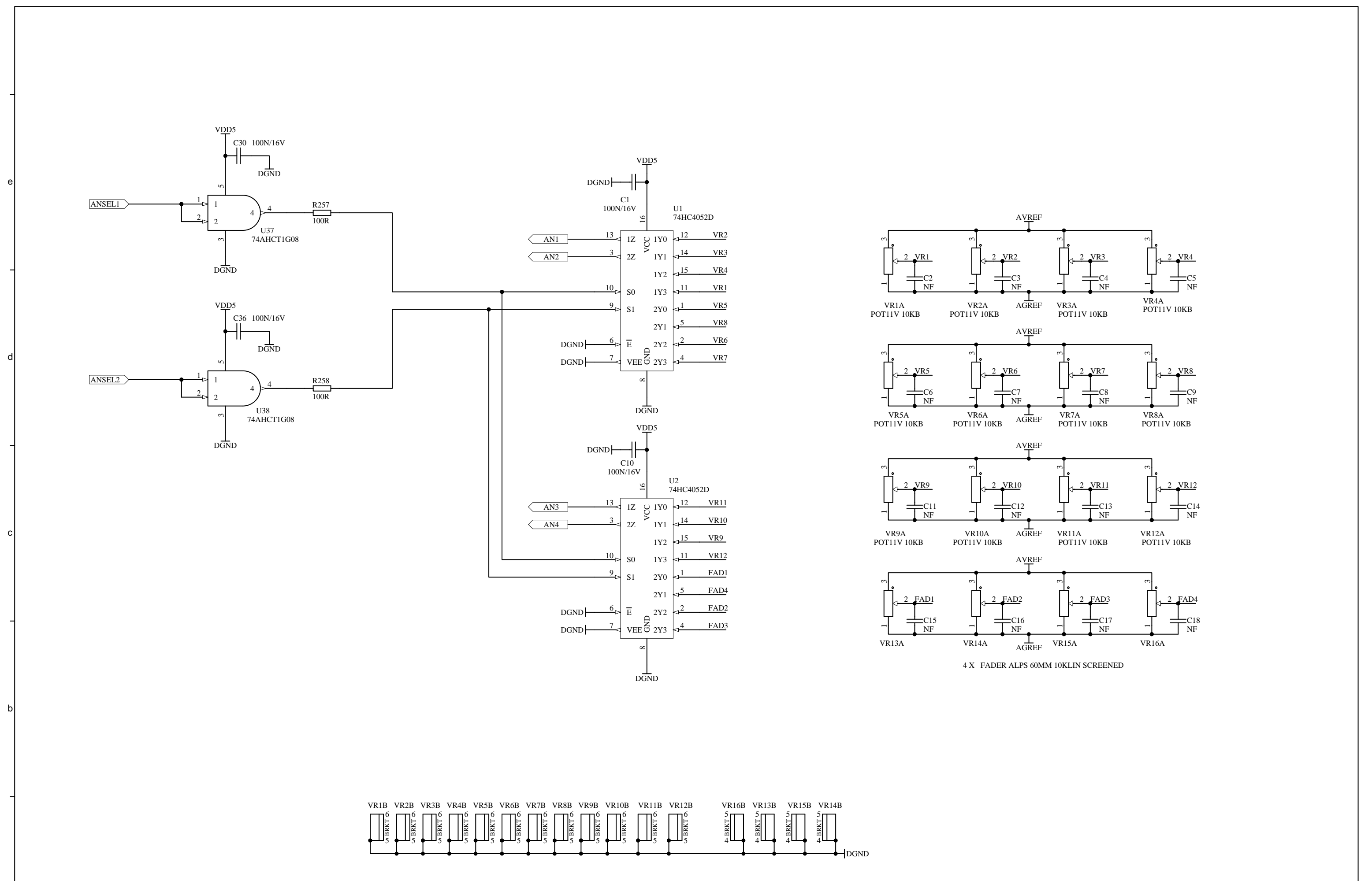
PAGE: XLINK

DRG No: C8454

ISSUE: 5.1 SHEET: 2 OF 9

VCS Revision Not in version control

PRINTED: 15:52:36 24/11/2014



ALLEN&HEATH

Kernick Industrial Estate,
Penryn, Cornwall,
England. TR10 9LU

Tel: +44 (0)1326 372070
Fax: +44 (0)1326 370153

REV	BY	DATE	ECN	CHK
4	RGW	11-7-12		XXX
4	JB	12-12-13		
5	JB	05-02-14		
5.1	GWR	13-05-14		

CIRCUITS MODIFIED TO INCLUDE K1 VARIANT

[No Variations]

Edit in Project Options, Parameters Tab.

FILE: C8454_5.1 Analogue.SchDoc

* All parts to be RoHS Compliant *

XONE K SERIES

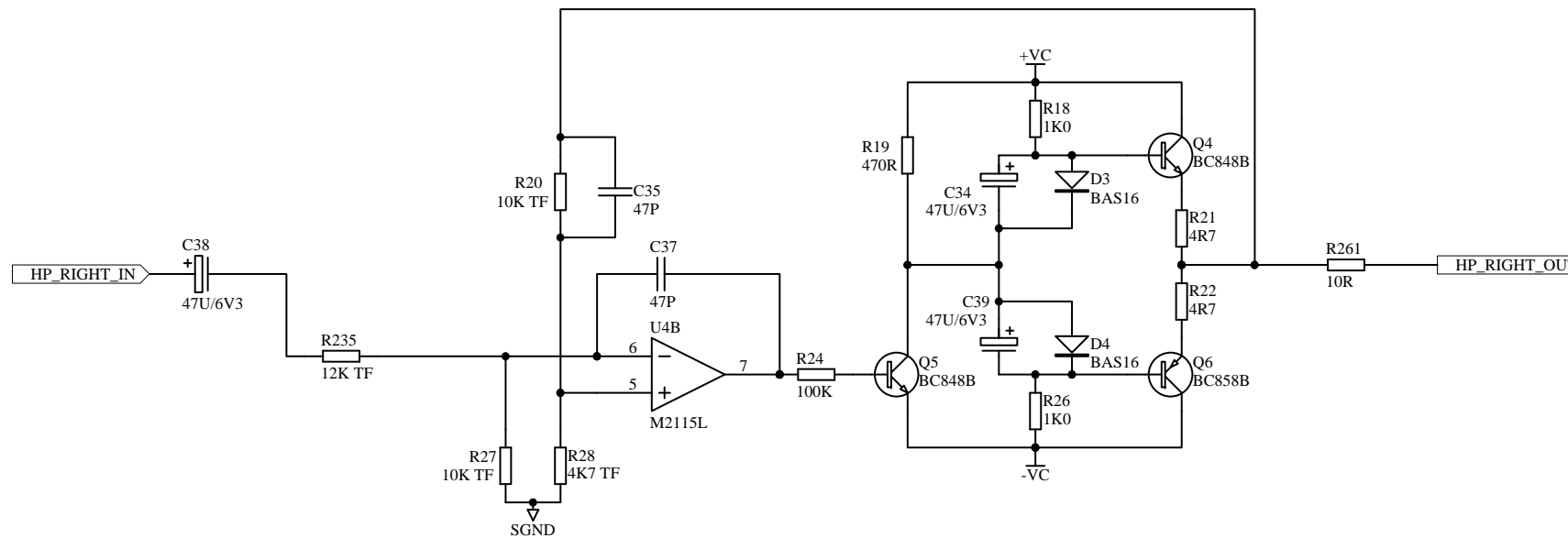
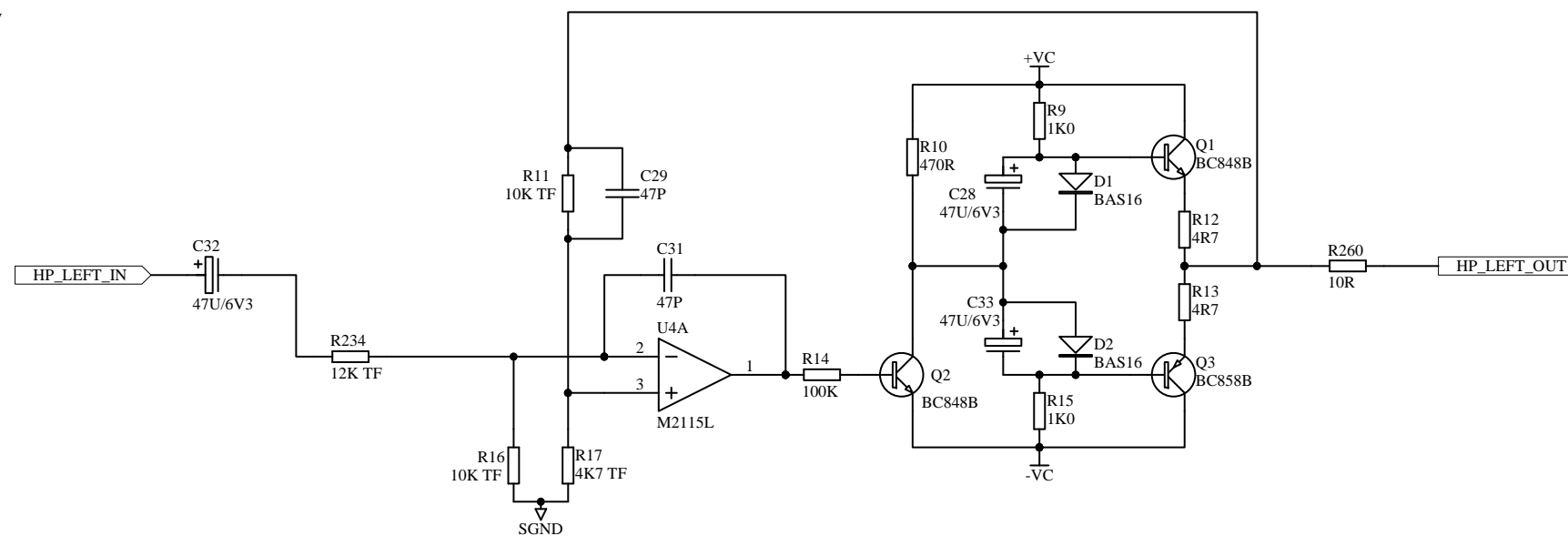
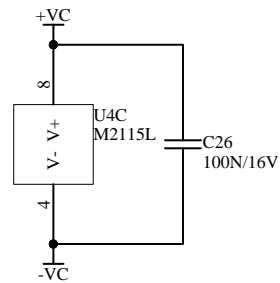
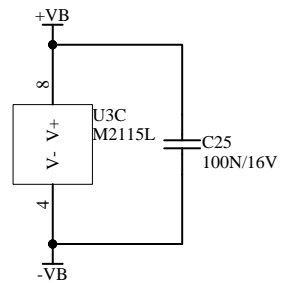
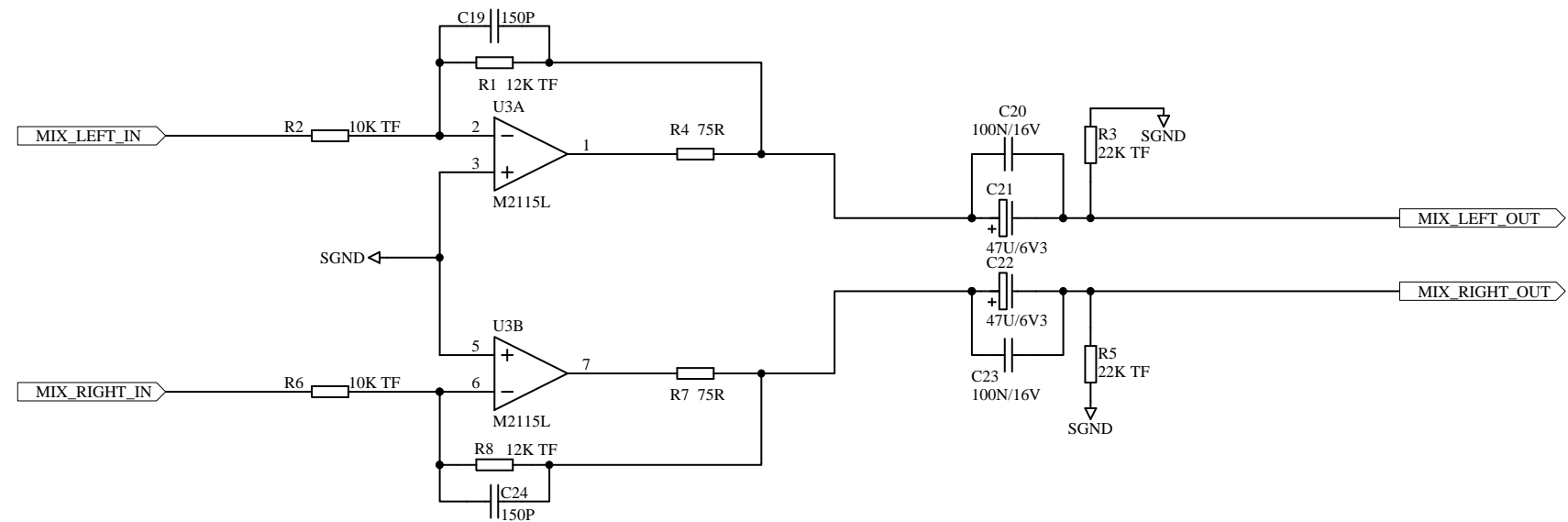
TITLE: MAIN PCB
PAGE: ANALOGUE SYSTEM

DRG No: C8454 ISSUE: 5.1 SHEET: 3 OF 9

VCS Revision Not in version control

PRINTED: 15:52:37 24/11/2014

A I B C D E F G H



ALLEN&HEATH

Kernick Industrial Estate,
Penryn, Cornwall,
England. TR10 9LU

Tel: +44 (0)1326 372070
Fax: +44 (0)1326 370153

REV	BY	DATE	ECN	CHK
4	RGW	11-7-12		XXX
4	JB	12-12-13		
5	JB	05-02-14		
5.1	GWR	13-05-14		

CIRCUITS MODIFIED TO INCLUDE K1 VARIANT

[No Variations]

Edit in Project Options, Parameters Tab.

FILE: C8454_5.1 Audio Out.SchDoc

* All parts to be RoHS Compliant *

VCS Revision

Not in version control

PRINTED: 15:52:37

24/11/2014

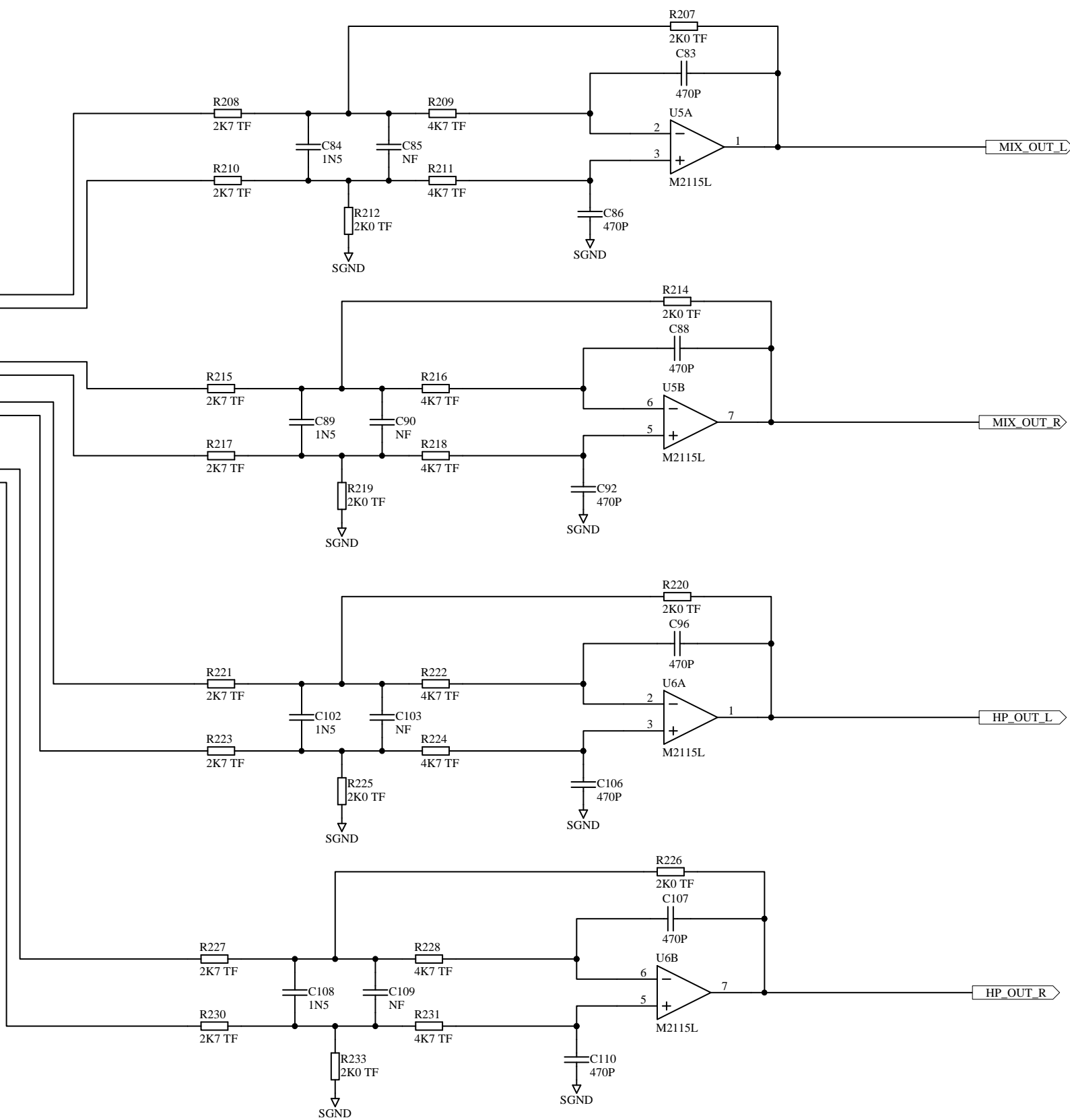
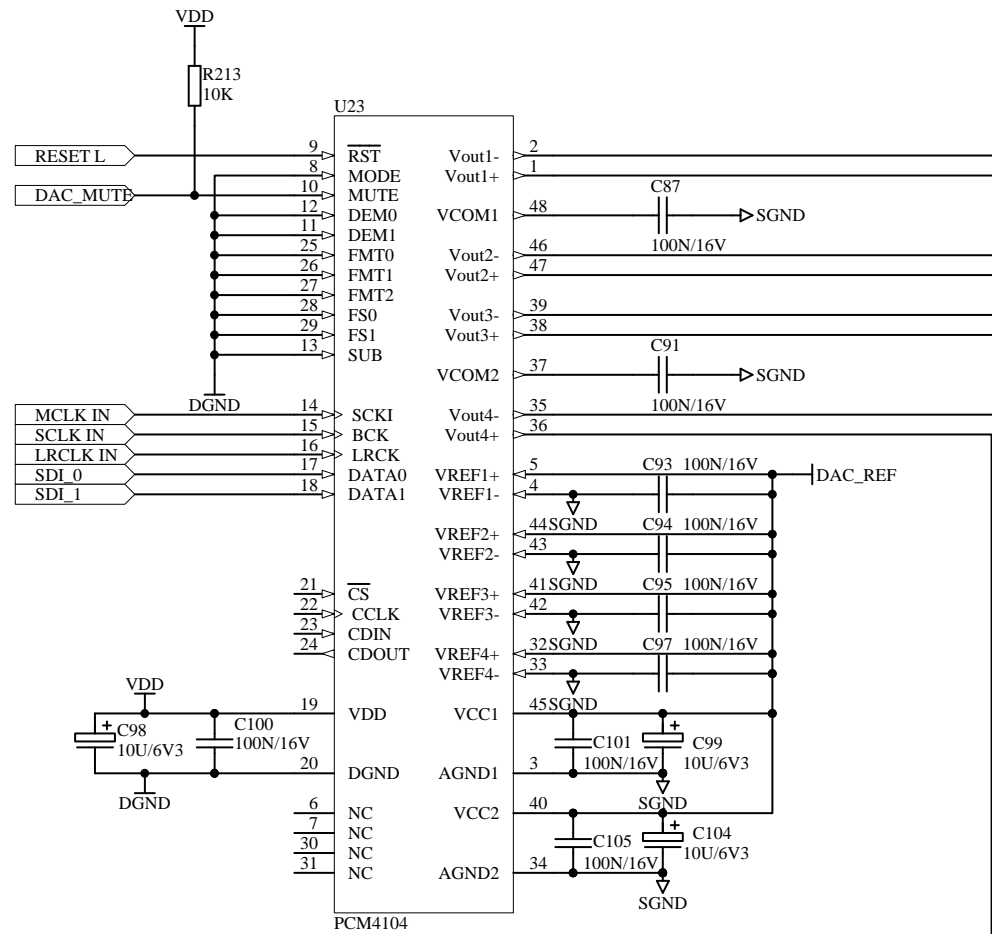
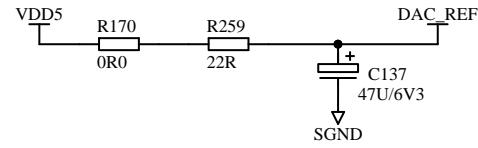
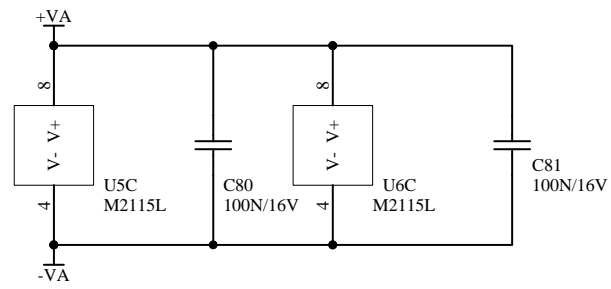
XONE K SERIES

TITLE: MAIN PCB

PAGE: AUDIO OUTPUTS

DRG No: C8454

ISSUE: 5.1 SHEET: 4 OF 9



ALLEN&HEATH

Kernick Industrial Estate,
Penryn, Cornwall,
England. TR10 9LU

Tel: +44 (0)1326 372070
Fax: +44 (0)1326 370153

REV	BY	DATE	ECN	CHK
4	RGW	11-7-12		XXX
4	JB	12-12-13		
5	JB	05-02-14		
5.1	GWR	13-05-14		

CIRCUITS MODIFIED TO INCLUDE K1 VARIANT

[No Variations]

Edit in Project Options, Parameters Tab.

FILE: C8454_5.1 Audio.SchDoc

* All parts to be RoHS Compliant *

XONE K SERIES

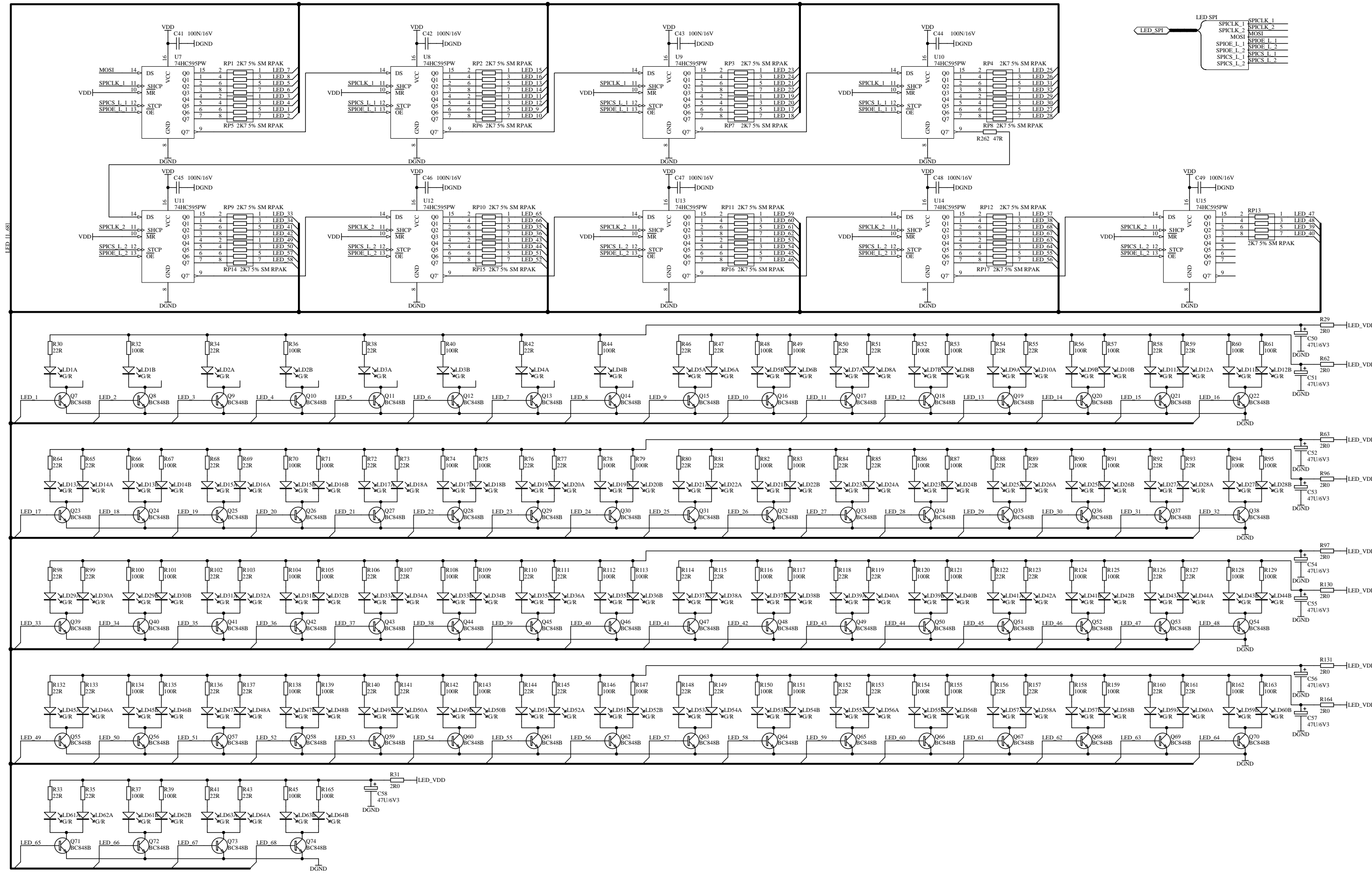
TITLE: MAIN PCB

PAGE: AUDIO SYSTEM

DRG No: C8454 ISSUE: 5.1 SHEET: 5 OF 9

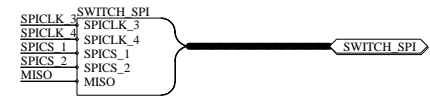
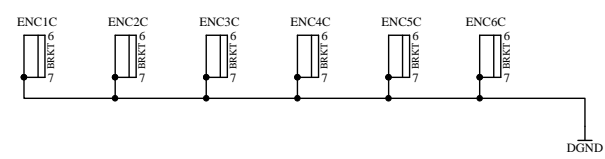
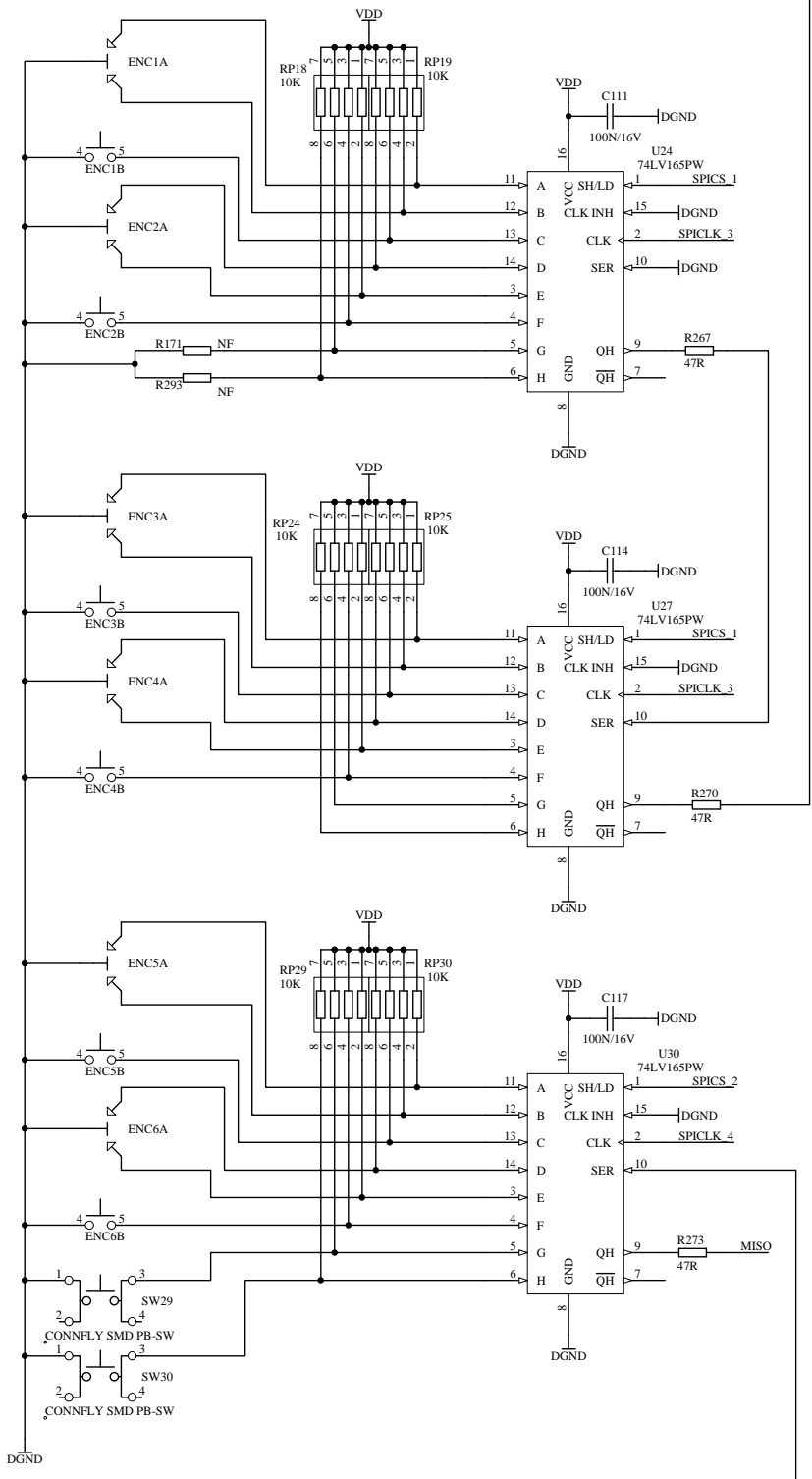
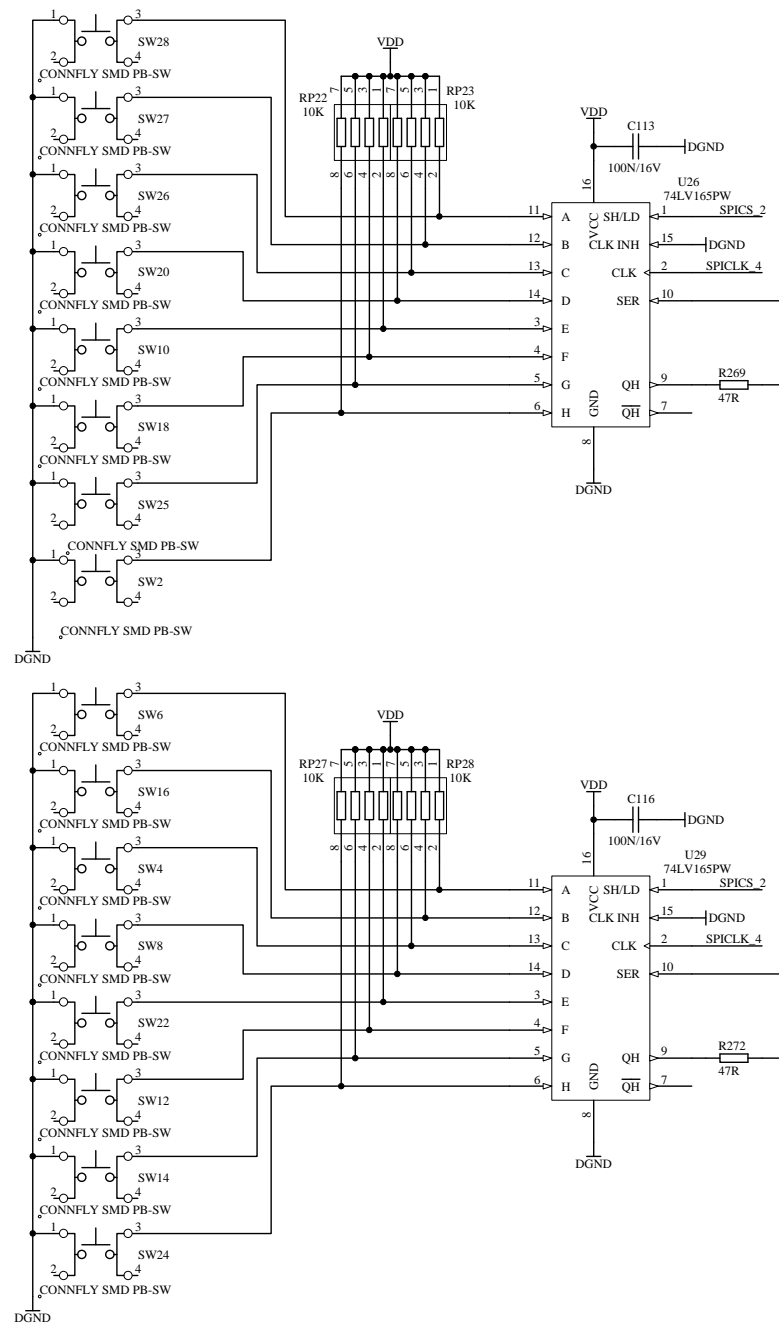
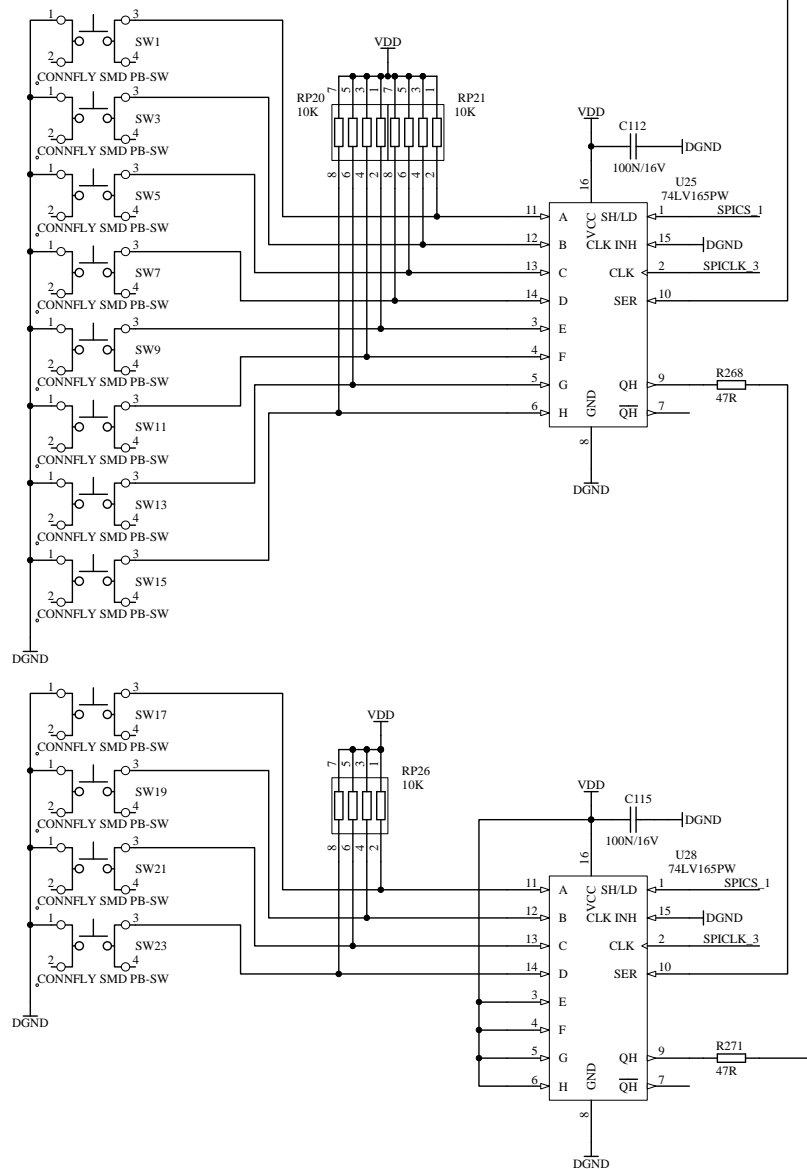
VCS Revision Not in version control

PRINTED: 15:52:37 24/11/2014



[No Variations]

* All parts to be RoHS Compliant *



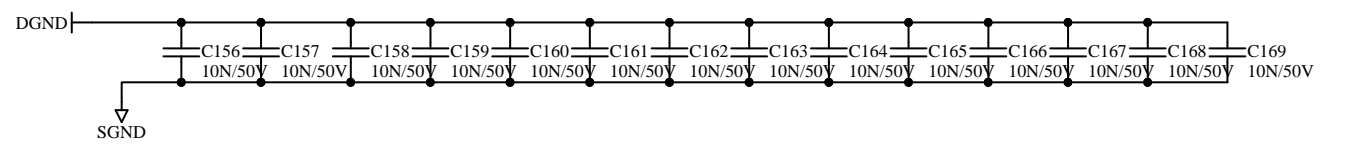
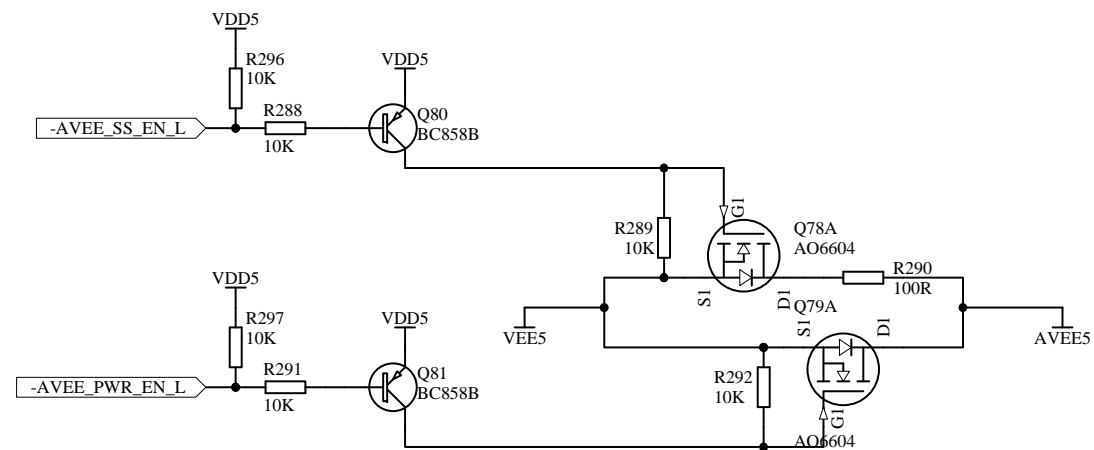
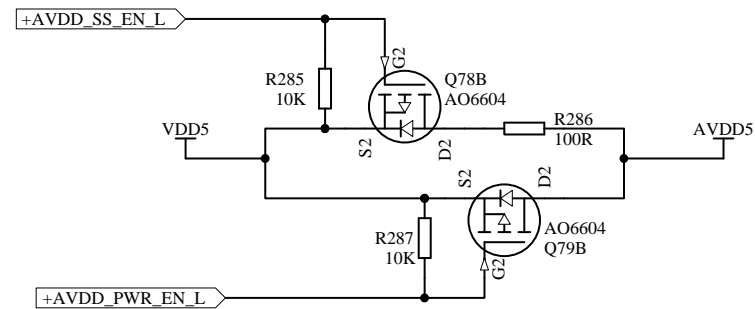
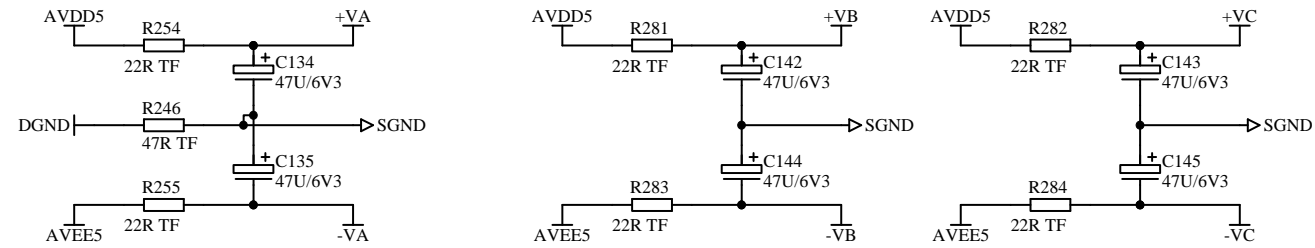
ALLEN&HEATH Kernick Industrial Estate, Penryn, Cornwall, England, TR10 9LU Tel: +44 (0)1326 372070 Fax: +44 (0)1326 370153	REV	BY	DATE	ECN	CHK
	4	RGW	11-7-12		XXX
	4	JB	12-12-13		
	5	JB	05-02-14		
	5.1	GWR	13-05-14		

CIRCUITS MODIFIED TO INCLUDE K1 VARIANT
 Edit in Project Options, Parameters Tab.
 FILE: C8454_5.1 Switches.SchDoc

[No Variations]

* All parts to be RoHS Compliant *

XONE K SERIES	
TITLE: MAIN PCB	DRG No: C8454
PAGE: SWITCHES	ISSUE: 5.1 SHEET: 8 OF 9
VCS Revision Not in version control	PRINTED: 15:52:40 24/11/2014



ALLEN&HEATH

Kernick Industrial Estate,
Penryn, Cornwall,
England. TR10 9LU
Tel: +44 (0)1326 372070
Fax: +44 (0)1326 370153

REV	BY	DATE	ECN	CHK
4	RGW	11-7-12		XXX
4	JB	12-12-13		
5	JB	05-02-14		
5.1	GWR	13-05-14		

CIRCUITS MODIFIED TO INCLUDE K1 VARIANT

[No Variations]

Edit in Project Options, Parameters Tab.

FILE: C8454_5.1 Audio Power.SchDoc

* All parts to be RoHS Compliant *

VCS Revision Not in version control PRINTED: 15:52:40 24/11/2014

XONE K SERIES

TITLE: MAIN PCB
PAGE: AUDIO POWER

DRG No: C8454 ISSUE: 5.1 SHEET: 9 OF 9

