

AG6992\_2 Sheet\_1  
AG6992\_2 Sheet\_1.Sch

AG6992\_2 Sheet\_2  
AG6992\_2 Sheet\_2.Sch

AG6992\_2 Sheet\_3  
AG6992\_2 Sheet\_3.Sch

**ALLEN&HEATH**

Kernick Industrial Estate,  
Penryn, Cornwall,  
England. TR10 9LU  
Tel: +44 (0)1326 372070  
Fax: +44 (0)1326 370153

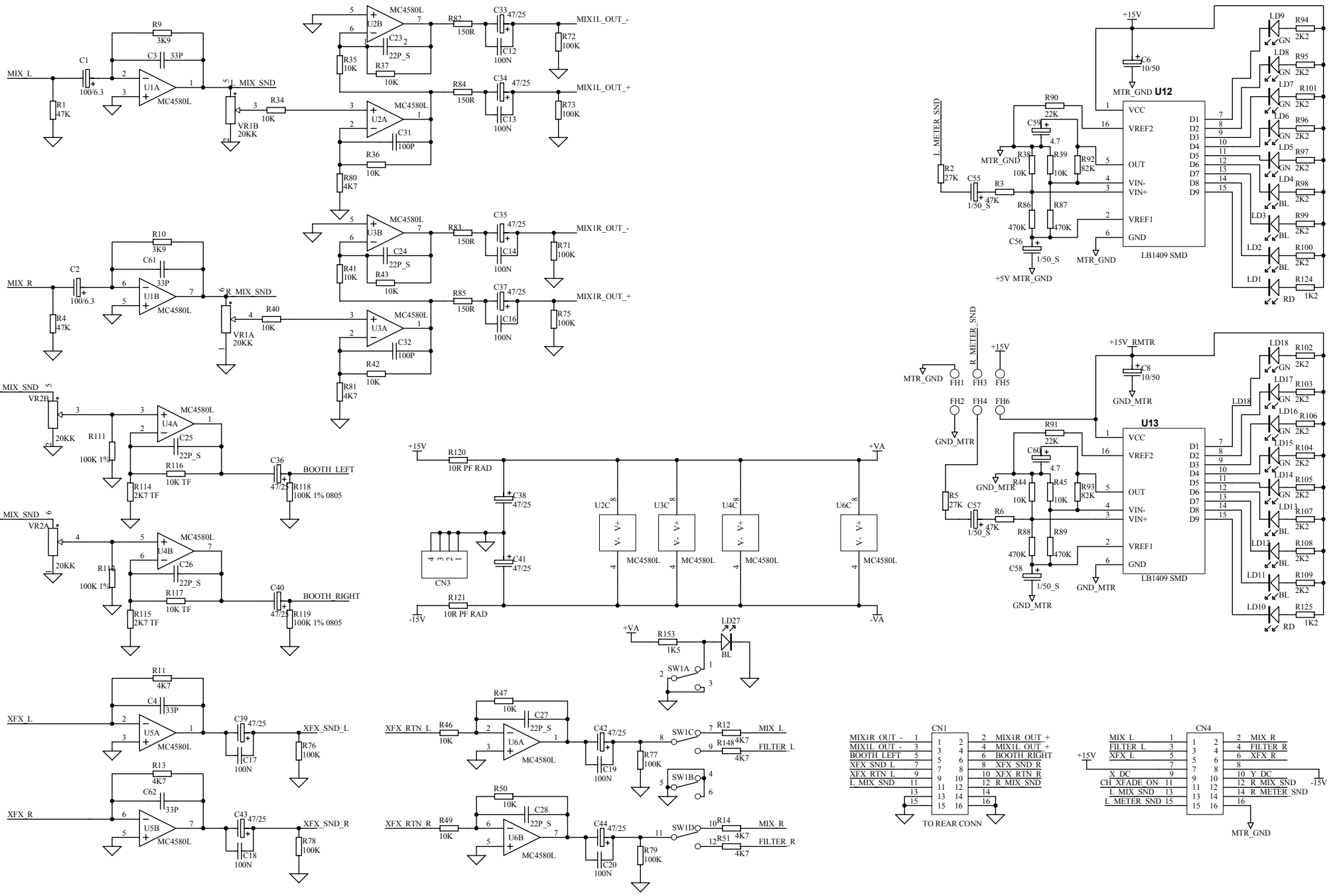
ISSUE	BY	DATE	CHK BY

FILE: Sheet1.Sch	PRINTED: 13:49:03 12-Nov-2007	* All parts to be RoHS Compliant *
------------------	-------------------------------	------------------------------------

TITLE:	
PAGE:	
DRG No:	ISSUE: 2 SHEET: 0 OF 0

A I B C D E F G H

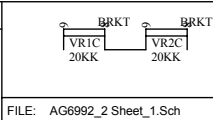




**ALLEN&HEATH**

Kernick Industrial Estate,  
Penryn, Cornwall,  
England. TR10 9LU  
Tel: +44 (0)1326 372070  
Fax: +44 (0)1326 370153

ISSUE	BY	DATE	CHK BY
1	ARJ	21-06-07	



FILE: AG6992\_2 Sheet\_1.Sch

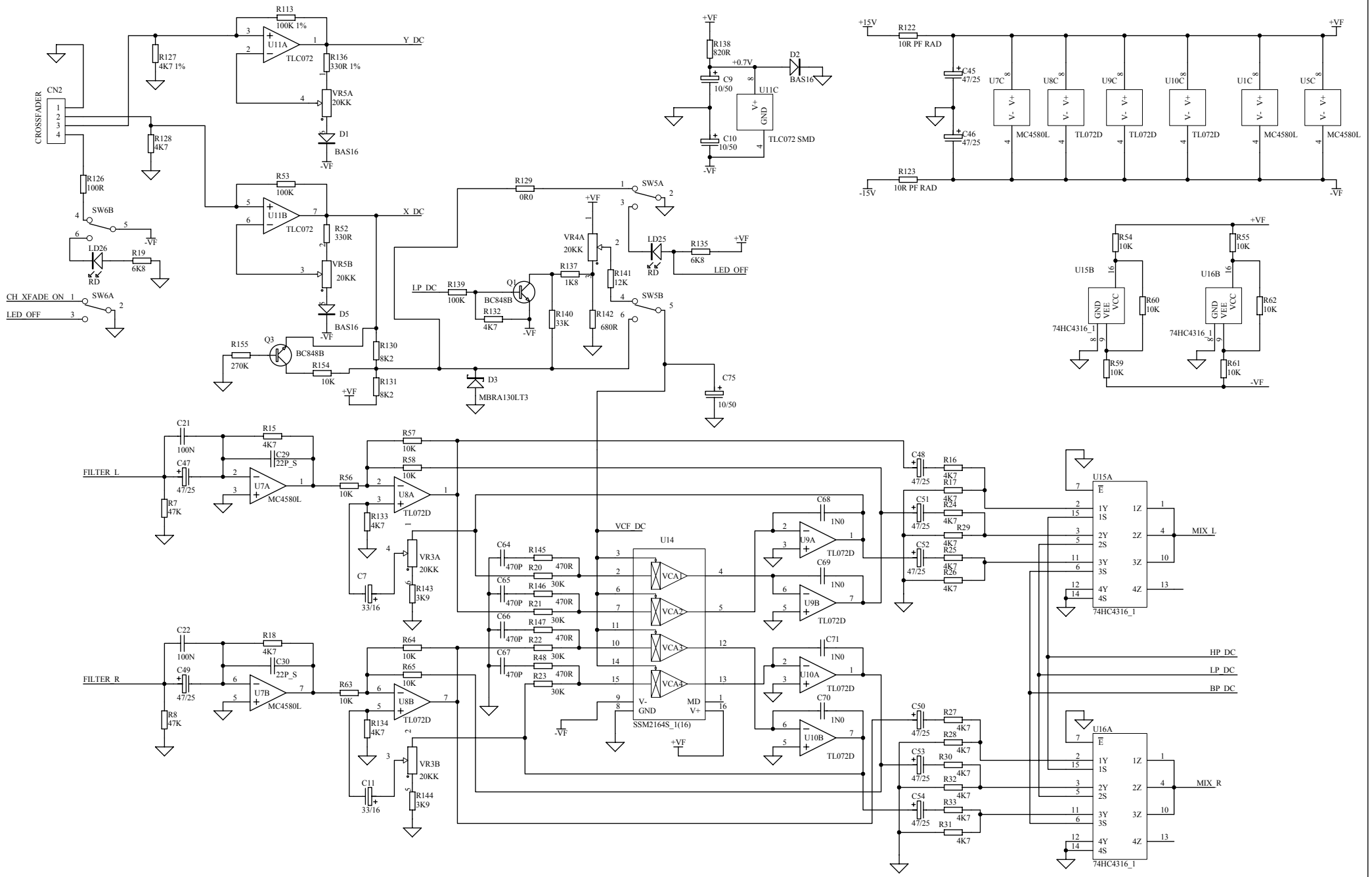
TITLE: **XONE 42 MASTER**

PAGE:

\* All parts to be RoHS Compliant \*

DRG No: **C6992** ISSUE: **2** SHEET: **1 OF 3**

PRINTED: 13:49:03 12-Nov-2007



**ALLEN&HEATH**  
 Kernick Industrial Estate,  
 Penryn, Cornwall,  
 England. TR10 9LU  
 Tel: +44 (0)1326 372070  
 Fax: +44 (0)1326 370153

ISSUE	BY	DATE	CHK BY
1	ARJ	21-06-07	

FILE: AG6992_2 Sheet_2.Sch		

TITLE: **XONE 42 MASTER**  
 PAGE:  
 DRG No: **C6992** ISSUE: **2** SHEET: **2 OF 3**

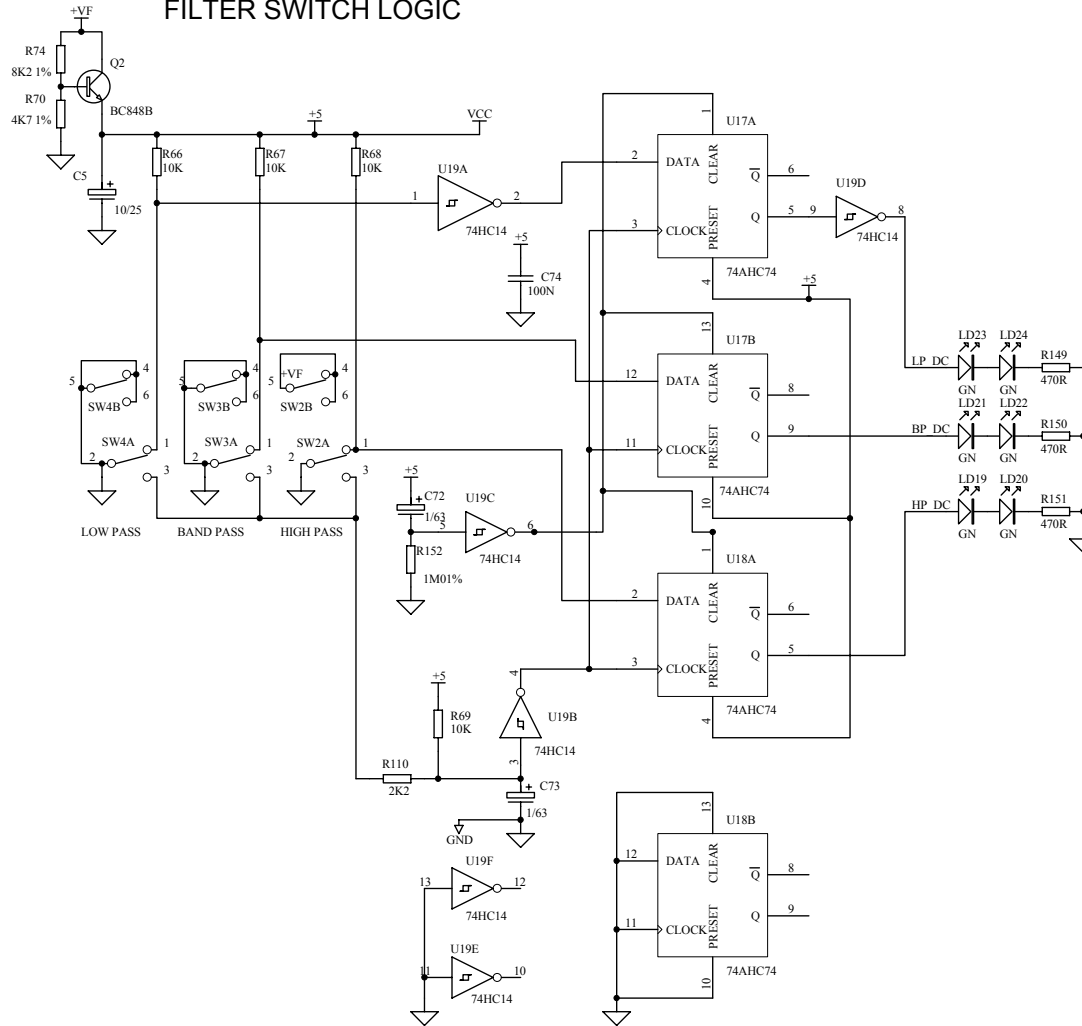
\* All parts to be RoHS Compliant \*

PRINTED: 13:49:04 12-Nov-2007

a  
b  
c  
d  
e

A B C D E F G H

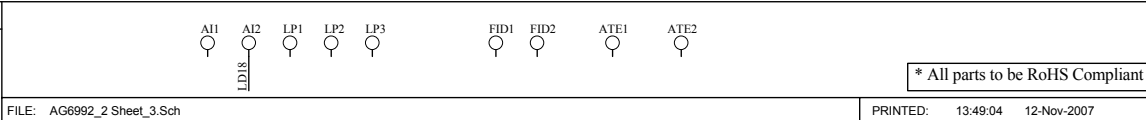
# FILTER SWITCH LOGIC



**ALLEN&HEATH**

Kernick Industrial Estate,  
Penryn, Cornwall,  
England. TR10 9LU  
Tel: +44 (0)1326 372070  
Fax: +44 (0)1326 370153

ISSUE	BY	DATE	CHK BY



TITLE: XONE 42 MASTER
PAGE:
DRG No: C6992
ISSUE: 2
SHEET: 3 OF 3

\* All parts to be RoHS Compliant \*

FILE: AG6992\_2 Sheet\_3.Sch

PRINTED: 13:49:04 12-Nov-2007

A I B C D E F G H

Designator	Description
C7	CAPACITOR ELECTROLYTIC 33uF 16V (AF2989)
C9	CAPACITOR ELECTROLYTIC 10uF 50V (AF0214)
C10	CAPACITOR ELECTROLYTIC 10uF 50V (AF0214)
C11	CAPACITOR ELECTROLYTIC 33uF 16V (AF2989)
C21	CAPACITOR CERAMIC SMD0805 100N 50V (AF2851)
C22	CAPACITOR CERAMIC SMD0805 100N 50V (AF2851)
C29	CAPACITOR CERAMIC SMD0805 22P (AF2992)
C30	CAPACITOR CERAMIC SMD0805 22P (AF2992)
C45	CAPACITOR ELECTROLYTIC 47uF 25V (AF0208)
C46	CAPACITOR ELECTROLYTIC 47uF 25V (AF0208)
C47	CAPACITOR ELECTROLYTIC 47uF 25V (AF0208)
C48	CAPACITOR ELECTROLYTIC 47uF 25V (AF0208)
C49	CAPACITOR ELECTROLYTIC 47uF 25V (AF0208)
C50	CAPACITOR ELECTROLYTIC 47uF 25V (AF0208)
C51	CAPACITOR ELECTROLYTIC 47uF 25V (AF0208)
C52	CAPACITOR ELECTROLYTIC 47uF 25V (AF0208)
C53	CAPACITOR ELECTROLYTIC 47uF 25V (AF0208)
C54	CAPACITOR ELECTROLYTIC 47uF 25V (AF0208)
C64	CAPACITOR CERAMIC SMD0805 470P (AF2848)
C65	CAPACITOR CERAMIC SMD0805 470P (AF2848)
C66	CAPACITOR CERAMIC SMD0805 470P (AF2848)
C67	CAPACITOR CERAMIC SMD0805 470P (AF2848)
C68	CAPACITOR CERAMIC SMD0805 1N0 (AF5040)
C69	CAPACITOR CERAMIC SMD0805 1N0 (AF5040)
C70	CAPACITOR CERAMIC SMD0805 1N0 (AF5040)
C71	CAPACITOR CERAMIC SMD0805 1N0 (AF5040)
C75	CAPACITOR ELECTROLYTIC 10uF 50V (AF0214)
CN2	Connector IDC,Molex Type 0.1" Pitch SIL 4 pins (AL3813)
D1	DIODE SIGNAL SMD BAS16 (AE3352)
D2	DIODE SIGNAL SMD BAS16 (AE3352)
D3	DIODE SCHOTTKY SMD ONSEMI MBRA130LT3 1A 30V (AE5004)
D5	DIODE SIGNAL SMD BAS16 (AE3352)
LD25	LED T1 3mm YELLOW (AE0084)
LD26	LED T1 3mm RED (AE0086)
Q1	TRANSISTOR NPN BC848B (AE3332)
Q3	TRANSISTOR NPN BC848B (AE3332)
R7	RESISTOR CARBON SMD0805 47K 5% (AC3035)
R8	RESISTOR CARBON SMD0805 47K 5% (AC3035)
R15	RESISTOR METAL FILM SMD0805 4K7 1% (AC3062)
R16	RESISTOR METAL FILM SMD0805 4K7 1% (AC3062)
R17	RESISTOR METAL FILM SMD0805 4K7 1% (AC3062)
R18	RESISTOR METAL FILM SMD0805 4K7 1% (AC3062)
R19	RESISTOR METAL FILM SMD0805 6K8 1% (AC3064)
R20	RESISTOR METAL SMD0805 30K 1% (AC5341)
R21	RESISTOR METAL SMD0805 30K 1% (AC5341)
R22	RESISTOR METAL SMD0805 30K 1% (AC5341)
R23	RESISTOR METAL SMD0805 30K 1% (AC5341)
R24	RESISTOR METAL FILM SMD0805 4K7 1% (AC3062)
R25	RESISTOR METAL FILM SMD0805 4K7 1% (AC3062)

R26	RESISTOR METAL FILM SMD0805 4K7 1% (AC3062)
R27	RESISTOR METAL FILM SMD0805 4K7 1% (AC3062)
R28	RESISTOR METAL FILM SMD0805 4K7 1% (AC3062)
R29	RESISTOR METAL FILM SMD0805 4K7 1% (AC3062)
R30	RESISTOR METAL FILM SMD0805 4K7 1% (AC3062)
R31	RESISTOR METAL FILM SMD0805 4K7 1% (AC3062)
R32	RESISTOR METAL FILM SMD0805 4K7 1% (AC3062)
R33	RESISTOR METAL FILM SMD0805 4K7 1% (AC3062)
R48	RESISTOR CARBON SMD0805 470R 5% (AC3034)
R52	RESISTOR METAL FILM SMD0805 330R 1% (AC3056)
R53	RESISTOR METAL FILM SMD0805 100K 1% (AC2843)
R54	RESISTOR METAL FILM SMD0805 10K 1% (AC2841)
R55	RESISTOR METAL FILM SMD0805 10K 1% (AC2841)
R56	RESISTOR METAL FILM SMD0805 10K 1% (AC2841)
R57	RESISTOR METAL FILM SMD0805 10K 1% (AC2841)
R58	RESISTOR METAL FILM SMD0805 10K 1% (AC2841)
R59	RESISTOR METAL FILM SMD0805 10K 1% (AC2841)
R60	RESISTOR METAL FILM SMD0805 10K 1% (AC2841)
R61	RESISTOR METAL FILM SMD0805 10K 1% (AC2841)
R62	RESISTOR METAL FILM SMD0805 10K 1% (AC2841)
R63	RESISTOR METAL FILM SMD0805 10K 1% (AC2841)
R64	RESISTOR METAL FILM SMD0805 10K 1% (AC2841)
R65	RESISTOR METAL FILM SMD0805 10K 1% (AC2841)
R113	RESISTOR METAL FILM SMD0805 100K 1% (AC2843)
R122	RESISTOR CARBON 10R PRE FORMED RADIAL 1/4W 5% (AC5077)
R123	RESISTOR CARBON 10R PRE FORMED RADIAL 1/4W 5% (AC5077)
R126	RESISTOR METAL FILM SMD0805 100R 1% (AC3054)
R127	RESISTOR METAL FILM SMD0805 4K7 1% (AC3062)
R128	RESISTOR METAL FILM SMD0805 4K7 1% (AC3062)
R129	RESISTOR CARBON SMD0805 0R0 5% (AC2838)
R130	RESISTOR METAL SMD0805 8K2 1% (AC5017)
R131	RESISTOR METAL SMD0805 8K2 1% (AC5017)
R132	RESISTOR METAL FILM SMD0805 4K7 1% (AC3062)
R133	RESISTOR METAL FILM SMD0805 4K7 1% (AC3062)
R134	RESISTOR METAL FILM SMD0805 4K7 1% (AC3062)
R135	RESISTOR METAL FILM SMD0805 6K8 1% (AC3064)
R136	RESISTOR METAL FILM SMD0805 330R 1% (AC3056)
R137	RESISTOR CARBON SMD0805 1K8 5% (AC3029)
R138	RES SMD TF 620R 0.5% 0805 MET (AC6892)
R139	RESISTOR METAL FILM SMD0805 100K 1% (AC2843)
R140	RESISTOR METAL FILM SMD0805 33K 1% (AC3532)
R141	RESISTOR METAL SMD0805 12K 1% (AC5012)
R142	RESISTOR METAL FILM SMD0805 680R 1% (AC3058)
R143	RESISTOR CARBON SMD0805 3K9 5% (AC4105)
R144	RESISTOR CARBON SMD0805 3K9 5% (AC4105)
R145	RESISTOR CARBON SMD0805 470R 5% (AC3034)
R146	RESISTOR CARBON SMD0805 470R 5% (AC3034)
R147	RESISTOR CARBON SMD0805 470R 5% (AC3034)
R154	RESISTOR METAL FILM SMD0805 10K 1% (AC2841)
R155	RESISTOR CARBON SMD0805 270K 5% (AC5543)

SW5	SWITCH DPDT ALPS (SPUN) LATCHING (AL0162)
SW6	SWITCH DPDT ALPS (SPUN) LATCHING (AL0162)
U1	IC SMD DUAL OP-AMP MC4580L (AE6851)
U5	IC SMD DUAL OP-AMP MC4580L (AE6851)
U7	IC SMD DUAL OP-AMP MC4580L (AE6851)
U8	IC SMD DUAL OP-AMP TL072 (AE3335)
U9	IC SMD DUAL OP-AMP TL072 (AE3335)
U10	IC SMD DUAL OP-AMP TL072 (AE3335)
U11	IC SMD DUAL OP-AMP TLC072 (AE5585)
U14	IC SSM2164S Quad Voltage Controlled Amplifier (AE5426)
U15	IC SMD 74HC4316 QUAD BILATERAL SWITCH (AE6339)
U16	IC SMD 74HC4316 QUAD BILATERAL SWITCH (AE6339)
VR3	POT ALPS 14mm 20KK x2 203K (AI8007)
VR4	POT ALPS 11mm 20KK 203K (AI8003)
VR5	POT ALPS 14mm 20KK x2 203K (AI8007)



Designator	Description
AI1	AI HOLE 3.1 mm
AI2	AI HOLE 3.1 mm
ATE1	ATE HOLE 3.1 mm
ATE2	ATE HOLE 3.1 mm
C5	CAPACITOR ELECTROLYTIC 10uF 25V (AF2983)
C72	CAPACITOR ELECTROLYTIC 1uF 63V (AF0210)
C73	CAPACITOR ELECTROLYTIC 1uF 63V (AF0210)
C74	CAPACITOR CERAMIC SMD0805 100N (AF2851)
FID1	SMD FIDUCIAL
FID2	SMD FIDUCIAL
LD19	LED SMD SUN GREEN (XZSG77W) 1206 (AE5444)
LD20	LED SMD SUN GREEN (XZSG77W) 1206 (AE5444)
LD21	LED SMD SUN GREEN (XZSG77W) 1206 (AE5444)
LD22	LED SMD SUN GREEN (XZSG77W) 1206 (AE5444)
LD23	LED SMD SUN GREEN (XZSG77W) 1206 (AE5444)
LD24	LED SMD SUN GREEN (XZSG77W) 1206 (AE5444)
LP1	SW-LIGHTPIPE(AJ5324)
LP2	SW-LIGHTPIPE(AJ5324)
LP3	SW-LIGHTPIPE(AJ5324)
Q2	TRANSISTOR NPN BC848B (AE3332)
R66	RESISTOR METAL FILM SMD0805 10K 1% (AC2841)
R67	RESISTOR METAL FILM SMD0805 10K 1% (AC2841)
R68	RESISTOR METAL FILM SMD0805 10K 1% (AC2841)
R69	RESISTOR METAL FILM SMD0805 10K 1% (AC2841)
R70	RESISTOR METAL FILM SMD0805 4K7 1% (AC3062)
R74	RESISTOR METAL SMD0805 8K2 1% (AC5017)
R110	RESISTOR METAL FILM SMD0805 2K2 1% (AC0370)
R149	RESISTOR CARBON SMD0805 470R 5% (AC3034)
R150	RESISTOR CARBON SMD0805 470R 5% (AC3034)
R151	RESISTOR CARBON SMD0805 470R 5% (AC3034)
R152	RESISTOR METAL FILM SMD0805 1M0 1% (AC2904)
SW2	SWITCH DPDT ALPS (SPUN) MOMENTARY (AL0374)
SW3	SWITCH DPDT ALPS (SPUN) MOMENTARY (AL0374)
SW4	SWITCH DPDT ALPS (SPUN) MOMENTARY (AL0374)
U17	IC SMD 74AHC74 FLIP FLOP (AE3053)
U18	IC SMD 74AHC74 FLIP FLOP (AE3053)
U19	IC SMD 74HC14 SCHMITT TRIG (AE2885)