

ALLEN & HEATH



XONE XD-53

Service Manual

AP7171

Limited One Year Warranty

This product is warranted to be free from defects in materials or workmanship for period of one year from the date of purchase by the original owner.

To ensure a high level of performance and reliability for which this equipment has been designed and manufactured, read this User Guide before operating. In the event of a failure, notify and return the defective unit to ALLEN & HEATH Limited or its authorised agent as soon as possible for repair under warranty subject to the following conditions.

Conditions Of Warranty

The equipment has been installed and operated in accordance with the instructions in this User Guide.

The equipment has not been subject to misuse either intended or accidental, neglect, or alteration other than as described in the User Guide or Service Manual, or approved by ALLEN & HEATH.

Any necessary adjustment, alteration or repair has been carried out by ALLEN & HEATH or its authorised agent.

This warranty does not cover fader wear and tear.

The defective unit is to be returned carriage prepaid to ALLEN & HEATH or its authorised agent with proof of purchase.

Units returned should be packed to avoid transit damage.

In certain territories the terms may vary. Check with your ALLEN & HEATH agent for any additional warranty which may apply.

This product complies with the European Electro magnetic Compatibility directives 89/336/EEC & 92/31/EEC and the European Low Voltage Directives 73/23/EEC & 93/68/EEC.

This product has been tested to EN55103 Parts 1 & 2 1996 for use in Environments E1, E2, E3, and E4 to demonstrate compliance with the protection requirements in the European EMC directive 89/336/EEC. During some tests the specified performance figures of the product were affected. This is considered permissible and the product has been passed as acceptable for its intended use. Allen & Heath has a strict policy of ensuring all products are tested to the latest safety and EMC standards. Customers requiring more information about EMC and safety issues can contact Allen & Heath.

NOTE: Any changes or modifications to the console not approved by Allen & Heath could void the compliance of the console and therefore the users authority to operate it.

XONE:XD-53 Service Manual.

Copyright © 2007 Allen & Heath Limited. All rights reserved.

Allen & Heath Limited

Kernick Industrial Estate, Penryn, Cornwall, TR10 9LU, UK

Introduction

This publication provides technical information on servicing the Allen & Heath XONE:XD-53 headphones. Whilst we believe this information to be reliable we do not assume responsibility for inaccuracies. We also reserve the right to make changes in the interest of further product development.

Additional Resources

Allen & Heath website: www.allen-heath.com

Worldwide distributors: www.allen-heath.com/uk/distributors.asp

UK Technical Support: support@allen-heath.com

Spares

To order spare parts, please contact your countries distributor. A full list is available above, at our Worldwide Distributor page. Please use the enclosed parts identification sheets to ensure you have the correct part numbers before ordering. This will speed up the order process.

For UK enquiries, please contact spares@allen-heath.com.

Xone:XD-53 Service Information

Issue status: Issue 1

Print date: 7th November 2007

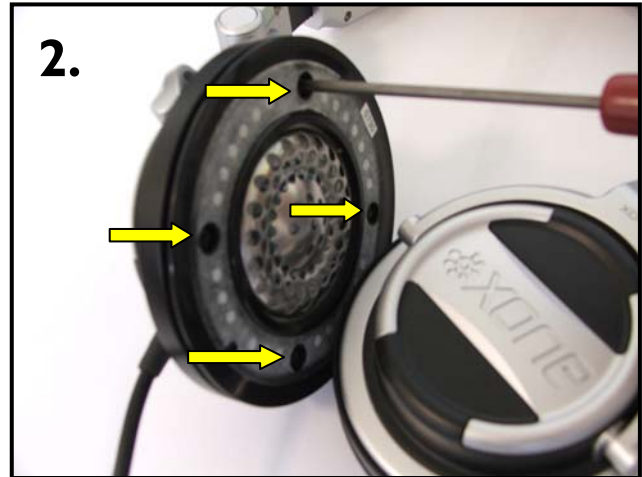
Copyright © 2007 Allen & Heath. All rights reserved
Manufactured in the United Kingdom by Allen & Heath
Kernick Industrial Estate, Penryn, Cornwall, TR10 9LU, UK
www.allen-heath.com

Servicing the XD-53 headphones



1. Remove the ear pad by pulling the fabric from around the plastic rim.

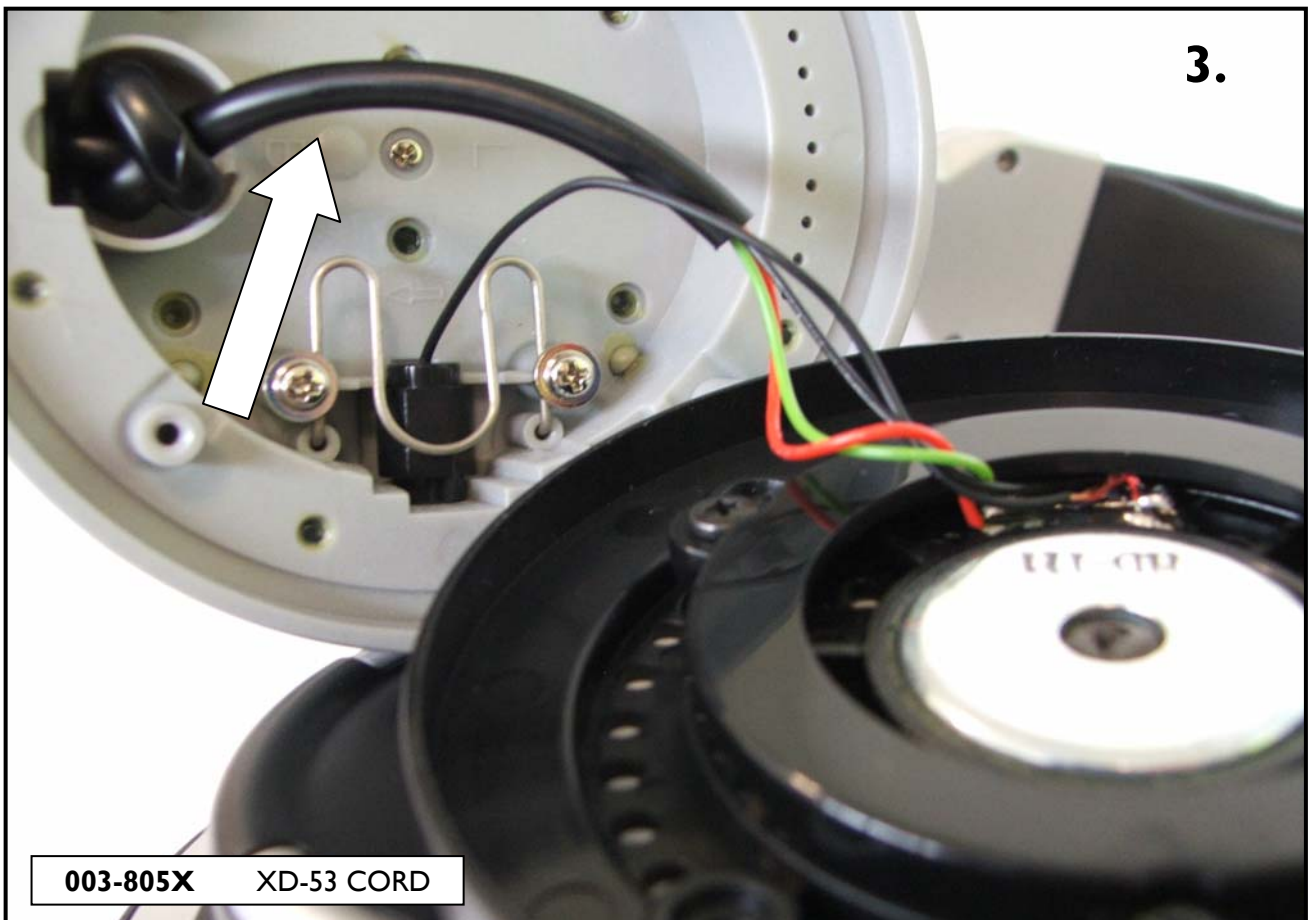
003-806X XD-53 EAR PAD



2. Remove the 4 screws that hold the driver mounting rim onto the headphones. This will give you access to the back of the speaker driver, to change the cable. The cable will have to be un-knotted from the plastic rear shell.

003-807X XD-53 HD-III DRIVER

3. (Detail of the reverse of the XD-53 HD-III drivers.)



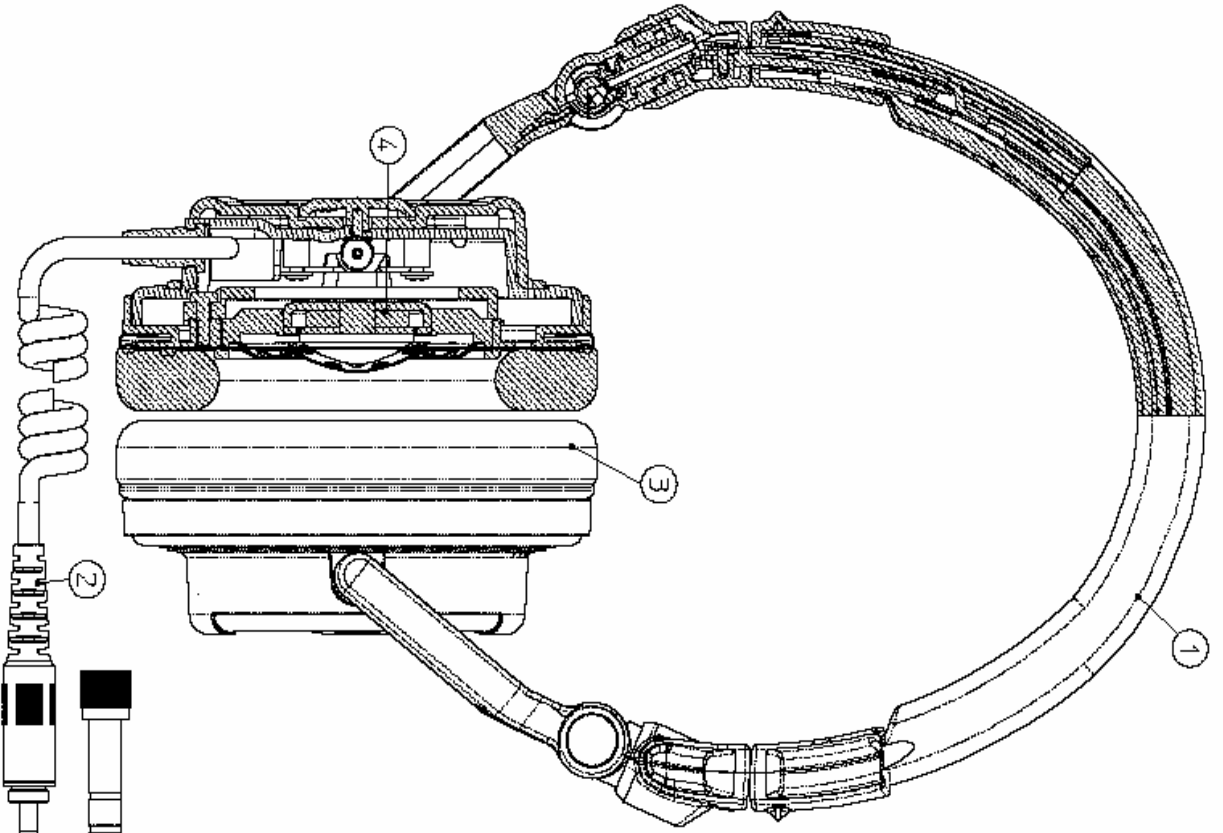
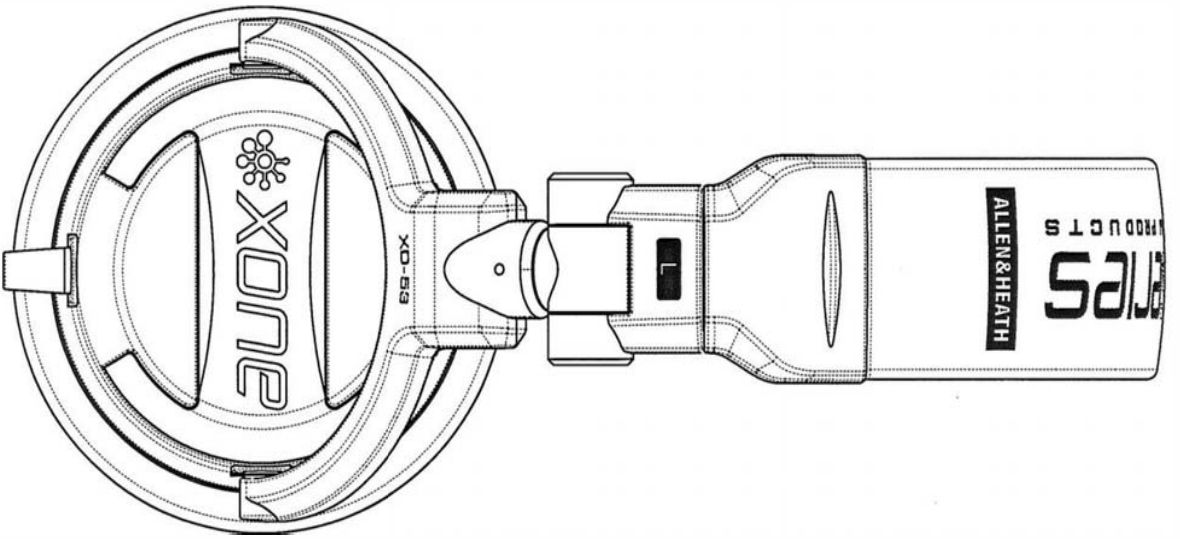
003-805X XD-53 CORD

Servicing the XD-53 headphones

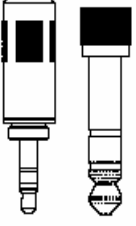


4. Remove the head-band by undoing the 4 screws as shown.

003-804X XD-53 HEADBAND



No	DESCRIPTION	PART No
1	XD-53 HEADBAND	003-804X
2	XD-53 CORD	003-805X
3	XD-53 EAR PAD	003-806X
4	XD-53 HD-111 DRIVER	003-807X



ALLEN&HEATH

ISSUED BY	DATE	REV
1	AVT 12.10.07	

*All parts to be suited to compliance

TITLE: XONE : XD53X

DRG No: PD0001 ISSUE: 1 SHEET: 1 OF 1