

CN3

MIX L	1	2	MIX R
AUX 1 L	3	4	AUX 1 R
AUX 2 L	5	6	AUX 2 R
CUE L	7	8	CUE R
CLEAN MIX	9	10	-15V
+15V	11	12	CUE_DC
+10_M	13	14	+5V
EQ SLCT	15	16	-5V

TO SLAVE CARD

CN4

BOOTH LEFT	1	2	BOOTH_RIGHT
MIX2_L_OUT	3	4	MIX2_R_OUT
MIX1L_OUT_+	5	6	AUX1_OUT_L
MIX1L_OUT_-	7	8	AUX1_OUT_R
MIX1R_OUT_+	9	10	AUX2_OUT_L
MIX1R_OUT_-	11	12	AUX2_OUT_R
MIX LEFT	13	14	METER_R
MIX RIGHT	15	16	+10_M
	17	18	
	19	20	+VA

TO CONNECTOR PCB MTR_GND

ALLEN&HEATH
 Kernick Industrial Estate,
 Penryn, Cornwall,
 England. TR10 9LU
 Tel: +44 (0)8707 556250
 Fax: +44 (0)8707 556251

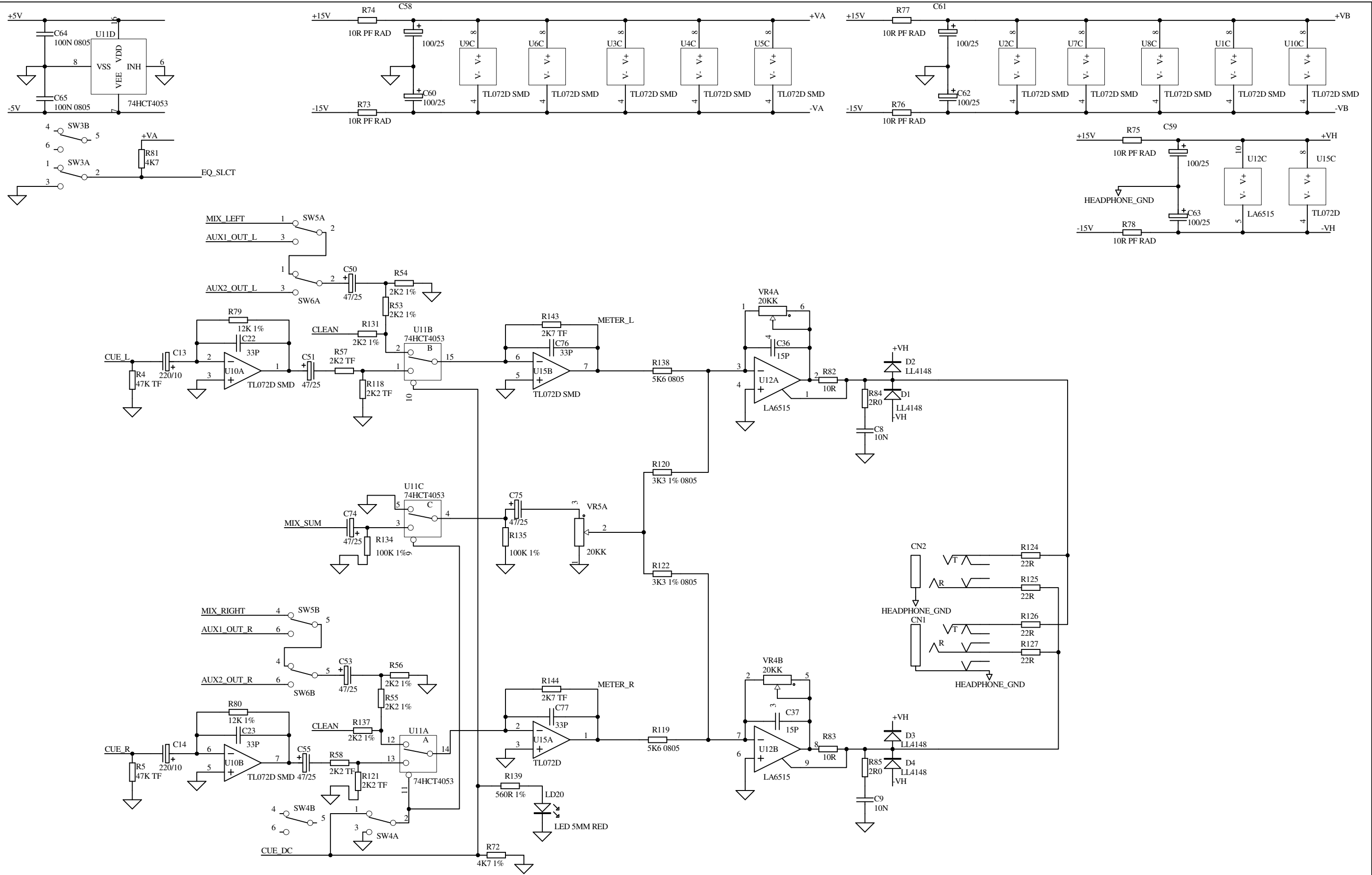
ISSUE	BY	DATE	CHK BY
1	ARJ	07-11-03	
2	ARJ	23-03-04	
2.1	ARJ	10-05-05	
2.2	AAT	02-11-05	
3	ARJ	11-01-12	

BRKT VR4C BRKT VR5B BRKT VR3C BRKT VR2C BRKT VR1C

FILE: C5301_3P1.Sch

PRINTED: 15:25:52 16-Mar-2012

TITLE: **XONE 92 MASTER PCB**
 PAGE:
 DRG No: **C5301** ISSUE: **3** SHEET: **1 OF 3**

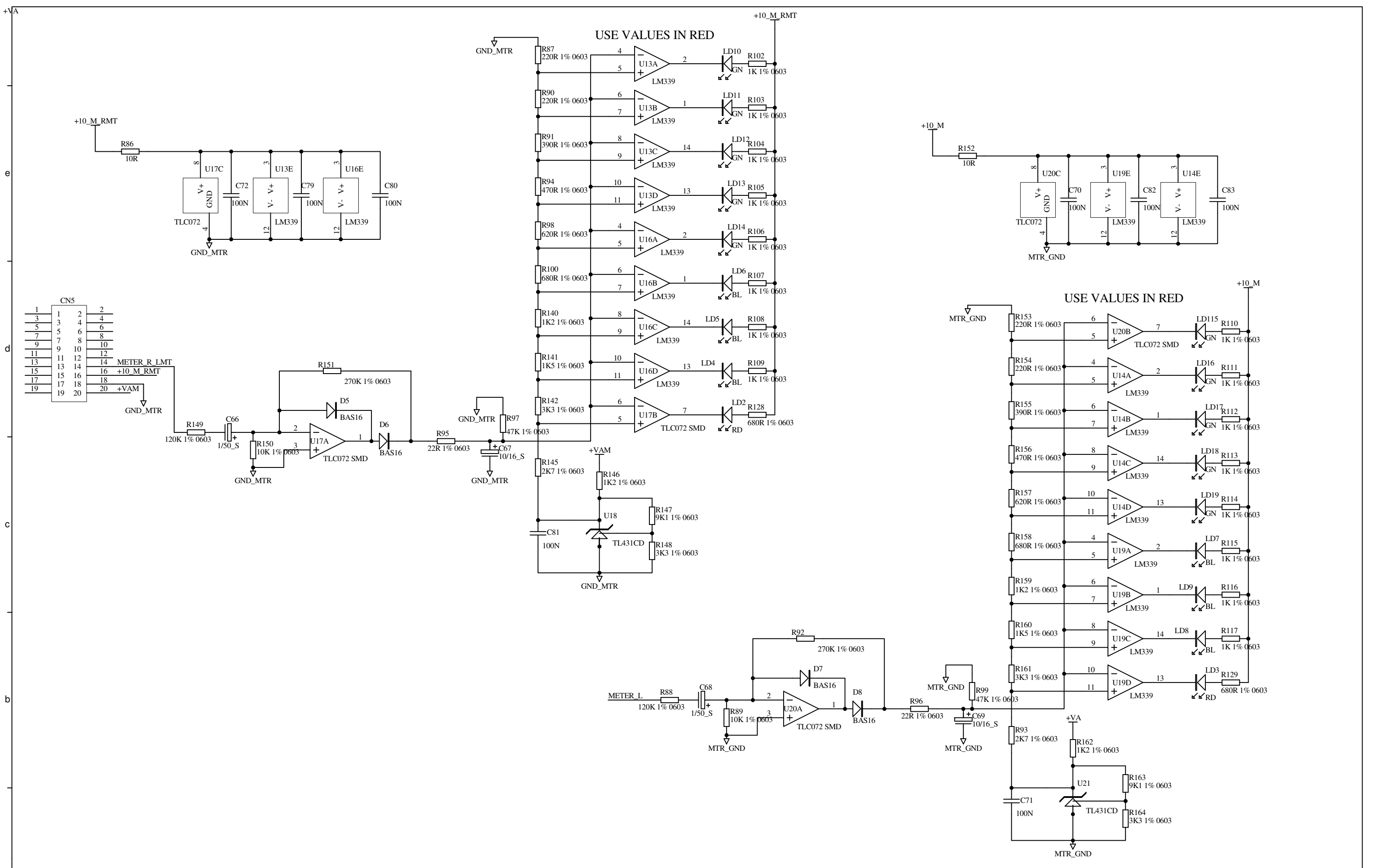


ALLEN&HEATH
 Kernick Industrial Estate,
 Penryn, Cornwall,
 England. TR10 9LU
 Tel: +44 (0)8707 556250
 Fax: +44 (0)8707 556251

ISSUE	BY	DATE	CHK BY
1	ARJ	07-11-03	
2	ARJ	23-03-04	
2.1	ARJ	10-05-05	
2.2	AAT	02-11-05	
3	ARJ	11-01-12	



TITLE: **XONE 92 MASTER PCB**
 PAGE:
 DRG No: **C5301** ISSUE: **3** SHEET: **2 OF 2**
 PRINTED: 15:26:19 16-Mar-2012



ALLEN&HEATH
 Kernick Industrial Estate,
 Penryn, Cornwall,
 England. TR10 9LU
 Tel: +44 (0)1326 372070
 Fax: +44 (0)1326 370153

ISSUE	BY	DATE	CHK BY
3	ARJ	11-01-12	

FILE: C5301_3P3.Sch

* All parts to be RoHS Compliant *

PRINTED: 15:26:39 16-Mar-2012

TITLE: XONE 92 MASTER PCB
 PAGE:
 DRG No: C5301 ISSUE: 3 SHEET: 3 OF 3