



ALLEN&HEATH

Parts identification sheet

XONE:DB4

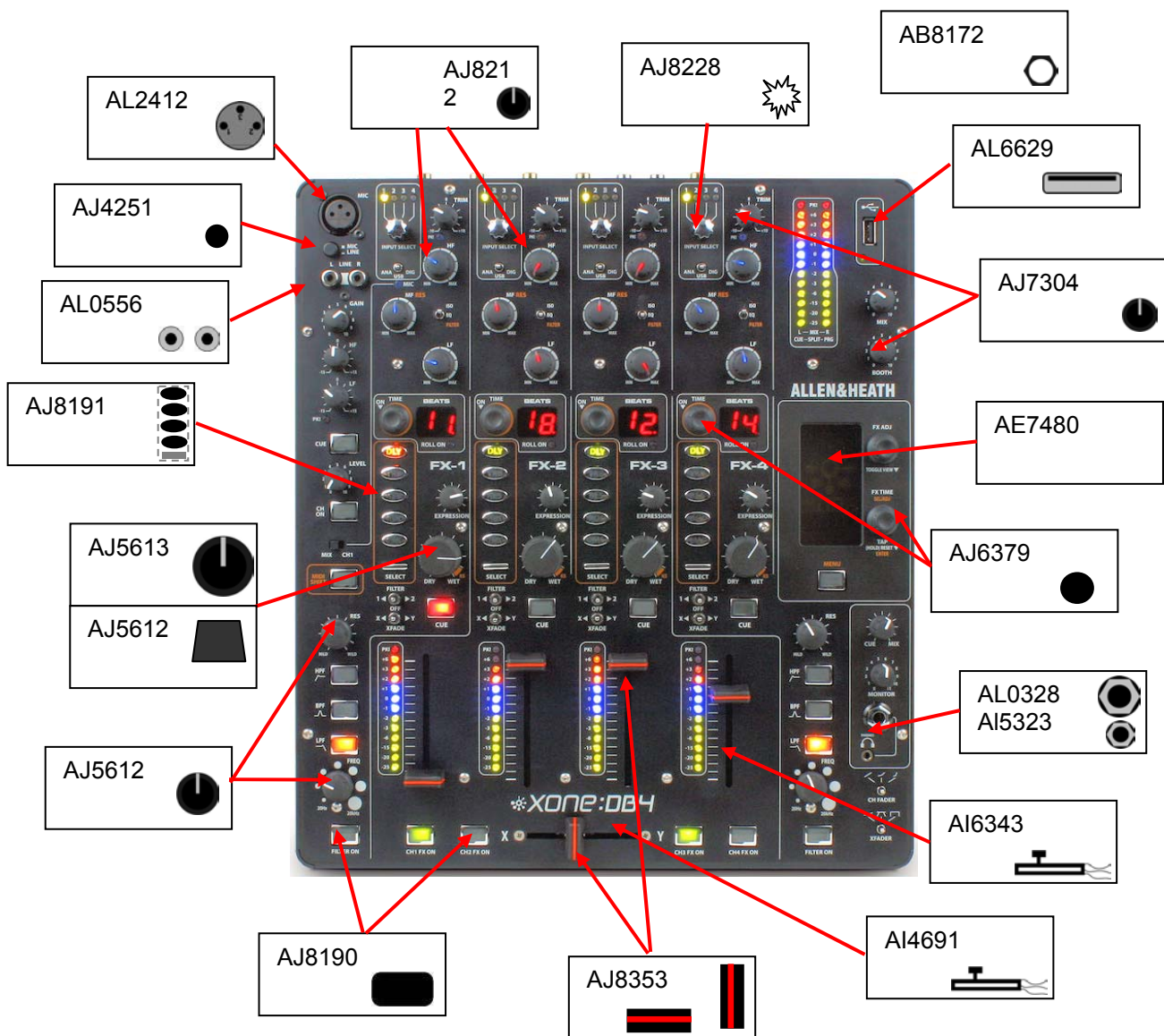
Copyright © 2011 Allen & Heath Limited. All rights reserved

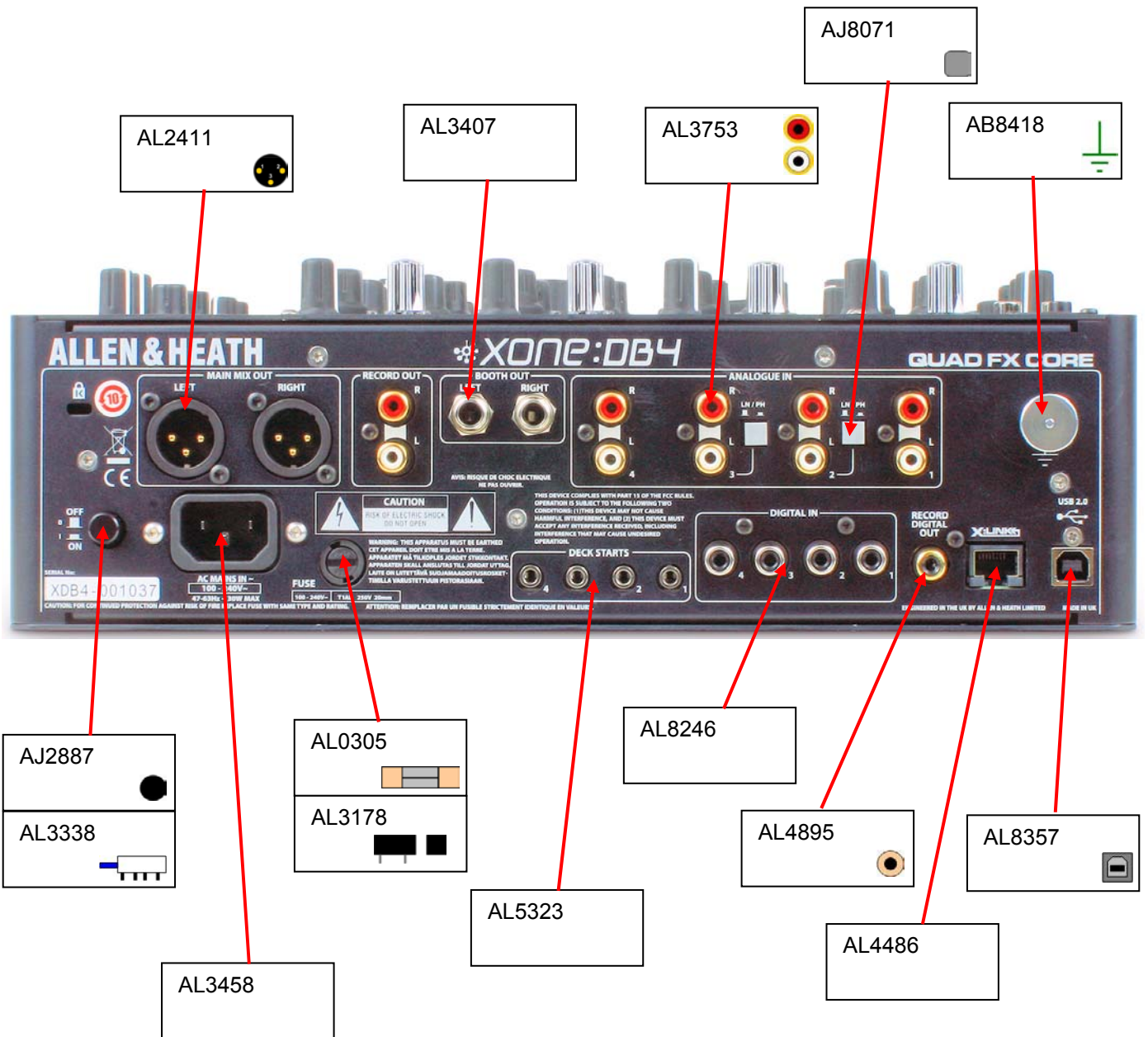
Allen & Heath Limited

Kernick Industrial Estate, Penryn, Cornwall, TR10 9LU, UK

<http://www.allen-heath.com>

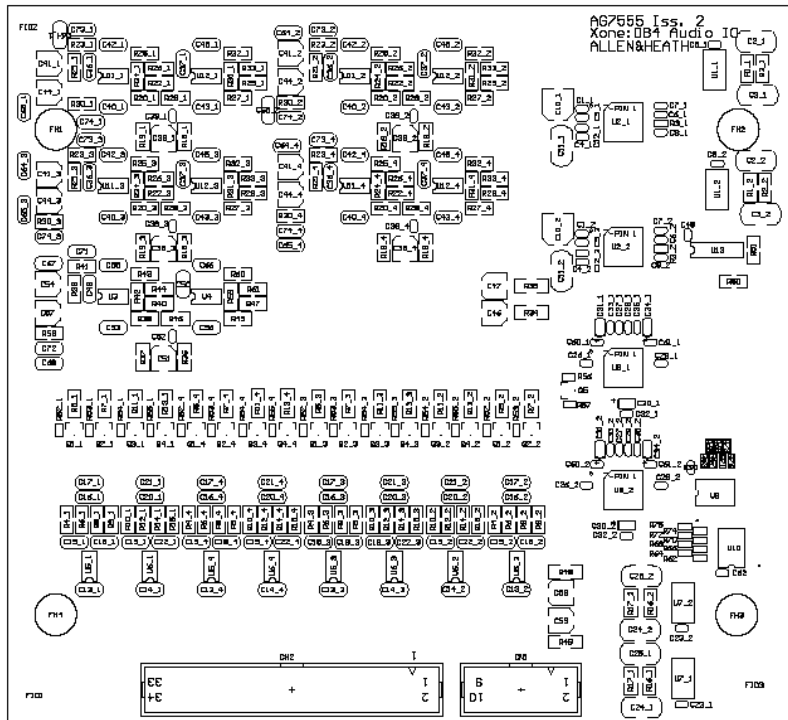
EXTERIOR PARTS



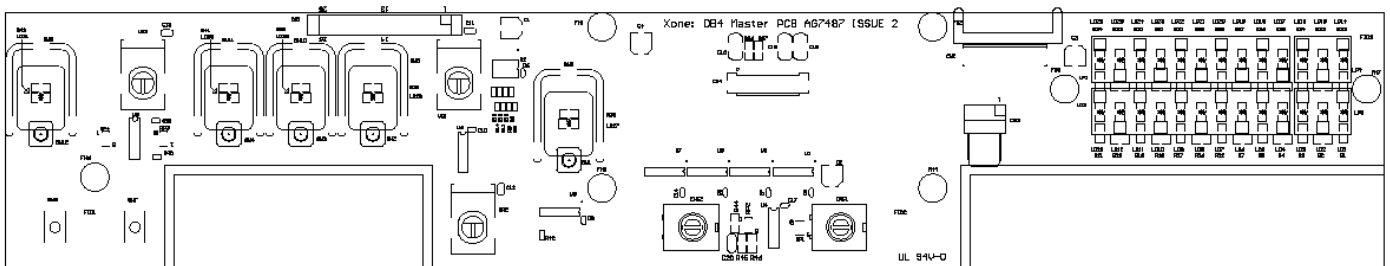


INTERIOR PARTS

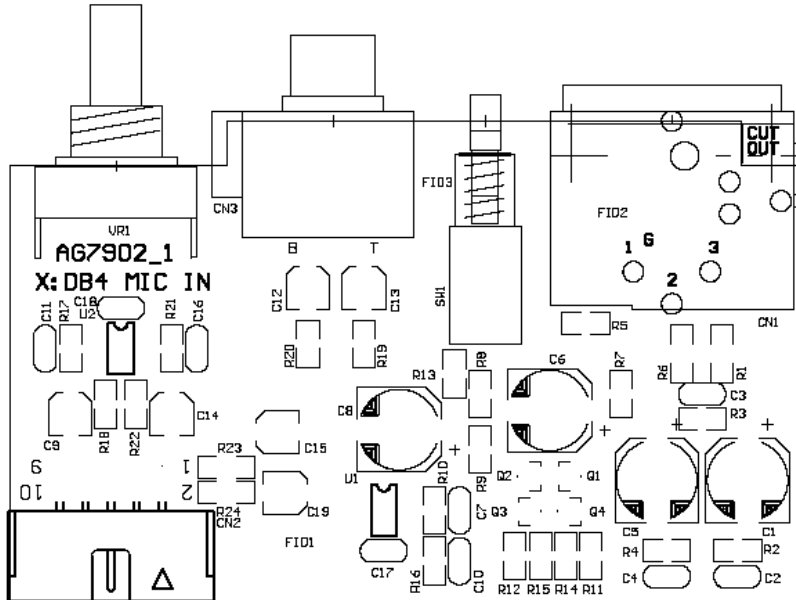
For identification only. Due to the complexity of these PCBs and the need to protect our digital audio circuitry, we do not publish all schematics for this product. Schematics for mic in, connector and PSU are published on distributor/service access pages on our website.



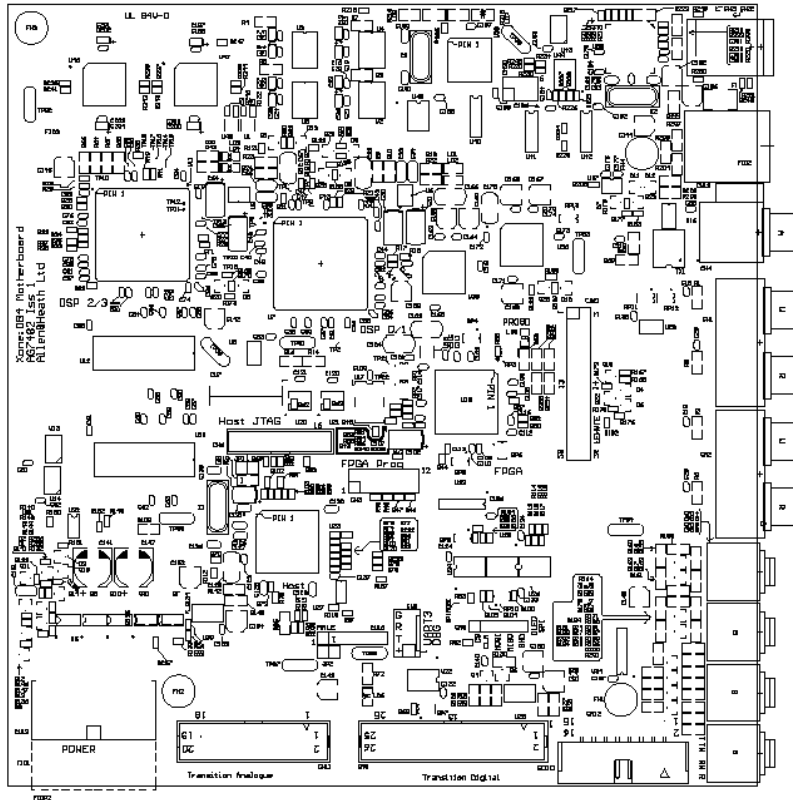
Audio IO 004-068



Master 004-070



Mic IP 004-073



Motherboard 004-067

