

U_C8725P1
C8725_1.2P1.Schdoc



U_C8725P2
C8725_1.2P2.Schdoc



U_C8725P3
C8725_1.2P3.Schdoc



COMPONENTS ON THIS BOARD HAVE A HEIGHT RESTRICTION

ALLEN&HEATH

Kernick Industrial Estate,
Penryn, Cornwall,
England. TR10 9LU

Tel: +44 (0)1326 372070
Fax: +44 (0)1326 370153

ISSUE	BY	DATE	CHK BY
A	GWR	25/07/11	
B	RGW	02/02/12	
1	AAT	25/06/12	
1.1	AAT	12/09/12	
1.2	AAT	19/09/12	

FILE: C8725_1.2.Schdoc

* All parts to be RoHS Compliant*

PRINTED: 15:46:59 19/09/2012

TITLE: ZED MINI FX_DISTRIBUTION

PAGE:

DRG No: C8725 ISSUE: 1.2 SHEET: 0 OF 3

A

B

C

D

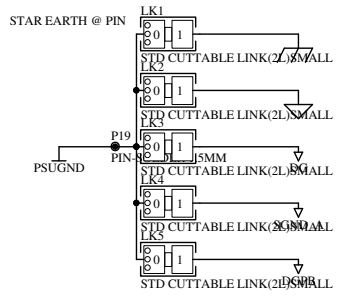
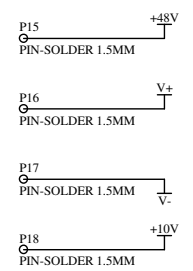
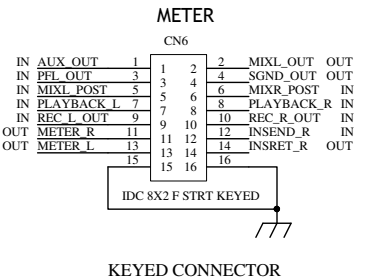
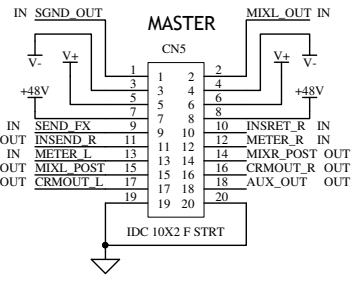
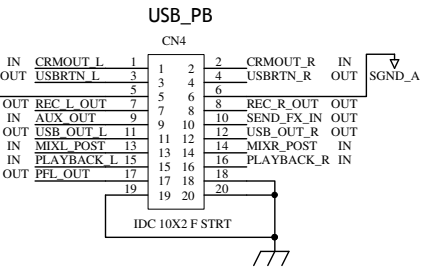
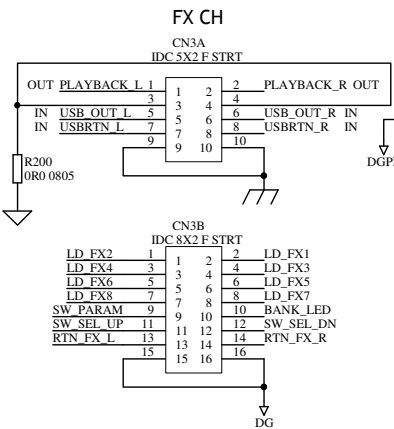
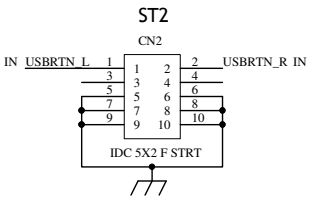
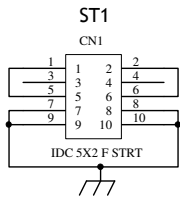
E

F

G

H





ALLEN&HEATH
 Kernick Industrial Estate,
 Penryn, Cornwall,
 England. TR10 9LU
 Tel: +44 (0)1326 372070
 Fax: +44 (0)1326 370153

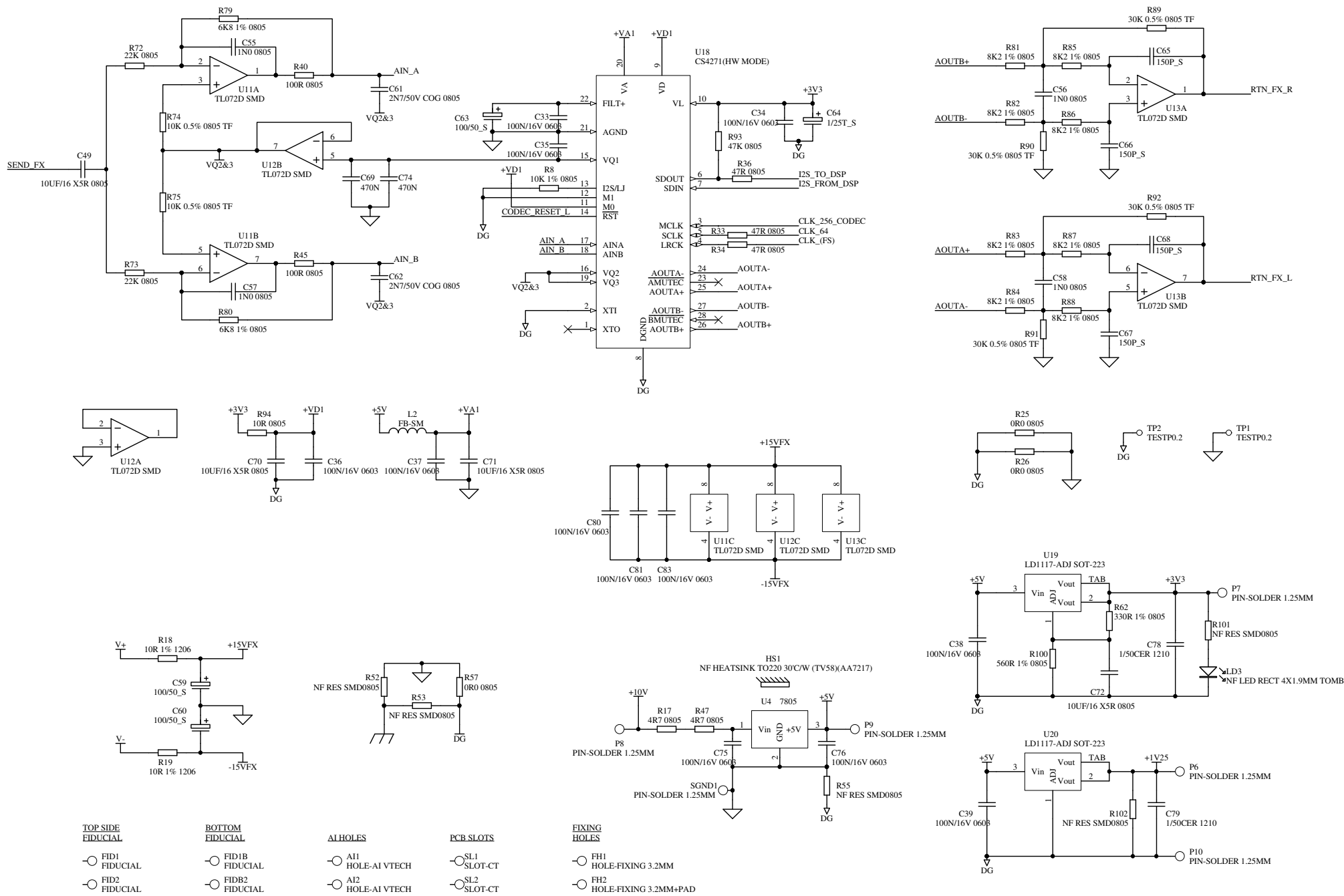
ISSUE	BY	DATE	CHK BY
A	GWR	25/07/11	
B	RGW	02/02/12	
1	AAT	25/06/12	
1.1	AAT	12/09/12	
1.2	AAT	19/09/12	

FILE: C8725_1.2P1.Schdoc

* All parts to be RoHS Compliant *

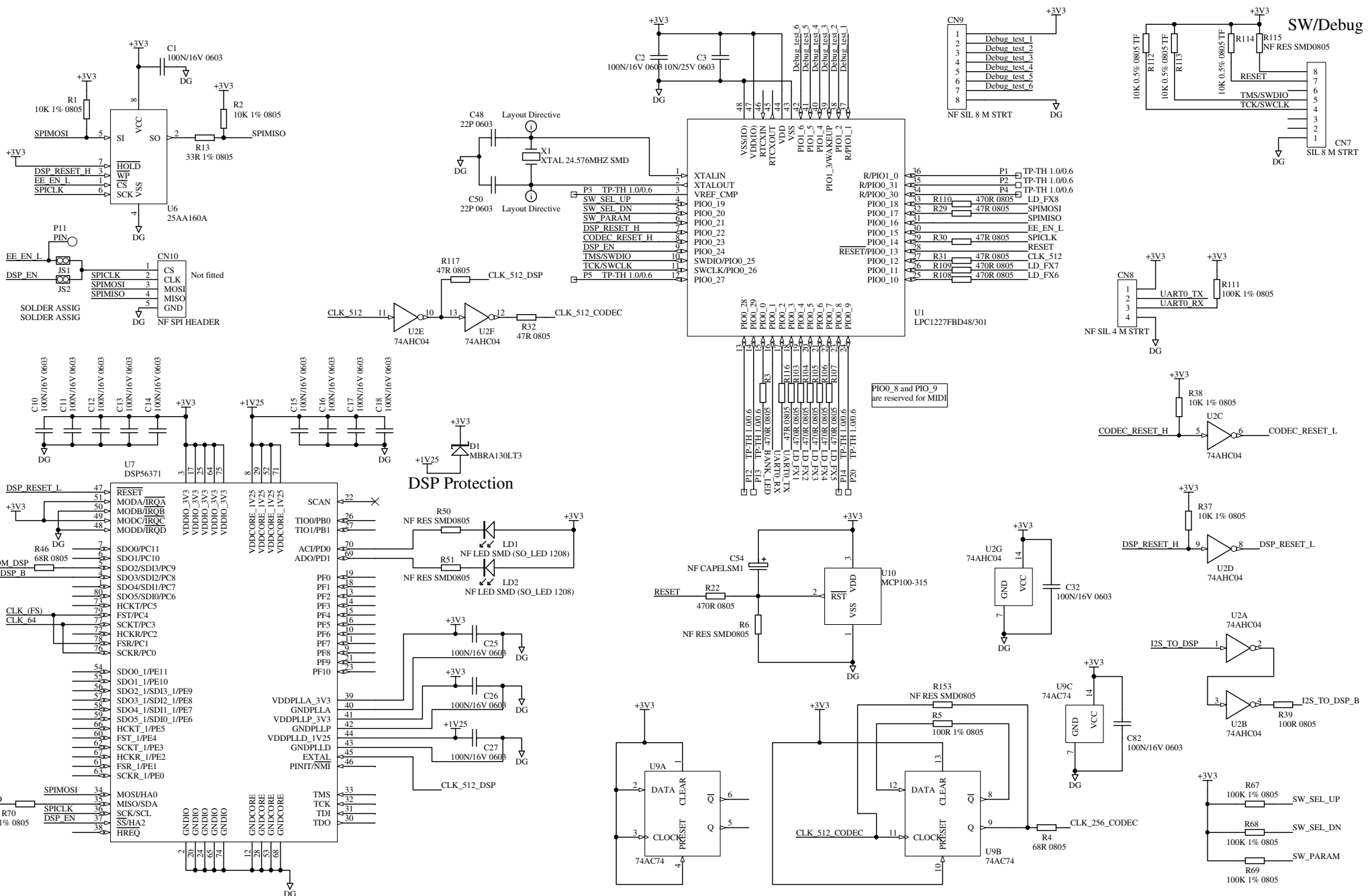
PRINTED: 15:46:59 19/09/2012

TITLE: ZED MINI FX_DISTRIBUTION
 PAGE:
 DRG No: C8725 ISSUE: 1.2 SHEET: 1 OF 3



- | | | | | |
|--------------------------|------------------------|---------------------|------------------|-----------------------------|
| TOP SIDE FIDUCIAL | BOTTOM FIDUCIAL | ALHOLES | PCB SLOTS | FIXING HOLES |
| ○ FID1 FIDUCIAL | ○ FID1B FIDUCIAL | ○ A11 HOLE-AI VTECH | ○ SL1 SLOT-CT | ○ FH1 HOLE-FIXING 3.2MM |
| ○ FID2 FIDUCIAL | ○ FIDB2 FIDUCIAL | ○ A12 HOLE-AI VTECH | ○ SL2 SLOT-CT | ○ FH2 HOLE-FIXING 3.2MM+PAD |

* All parts to be RoHS Compliant *



ALLEN&HEATH
 Kernick Industrial Estate,
 Penryn, Cornwall,
 England. TR10 9LU
 Tel: +44 (0)1326 372070
 Fax: +44 (0)1326 370153

ISSUE	BY	DATE	CHK BY
A	GWR	25/07/11	
B	RGW	02/02/12	
1	AAT	25/06/12	
1.1	AAT	12/09/12	
1.2	AAT	19/09/12	

FILE: C8725_1.2P3.Schdoc

* All parts to be RoHS Compliant *

TITLE: ZED MINI FX DISTRIBUTION
 PAGE:
 DRG No: C8725 ISSUE: 1.2 SHEET: 3 OF 3

PRINTED: 15:46:59 19/09/2012