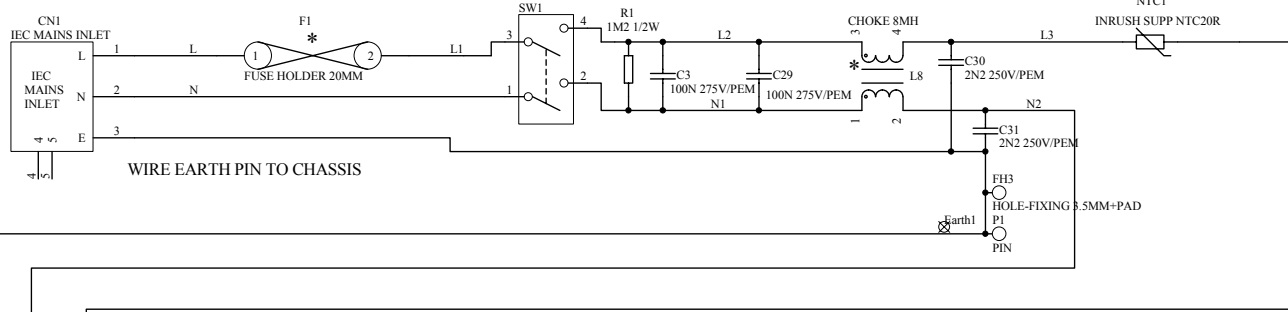


AG7075
ISS 2

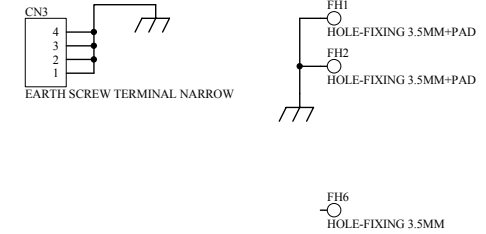
ALLEN & HEATH LTD

ZED
PSU

AC INLET

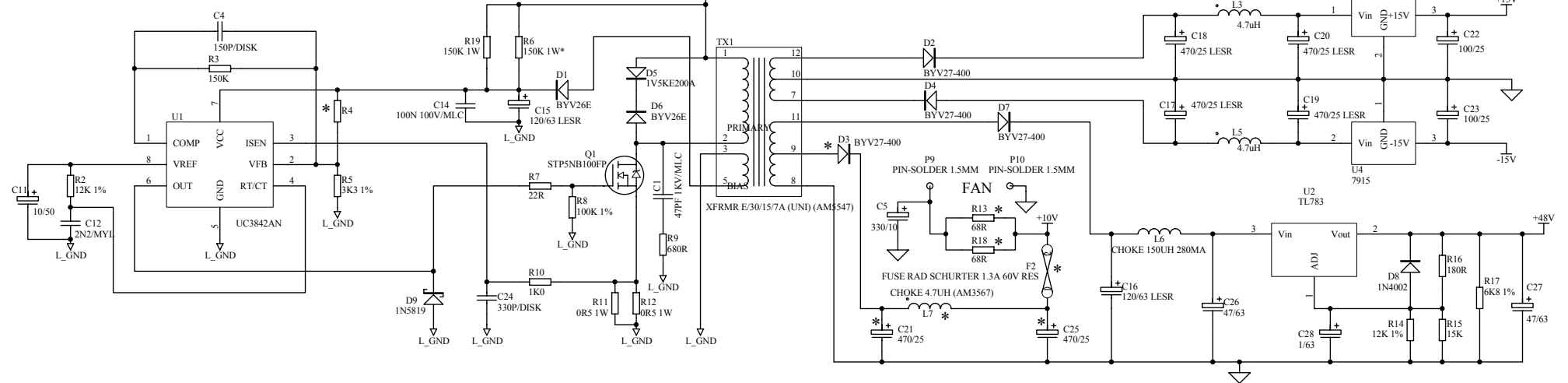
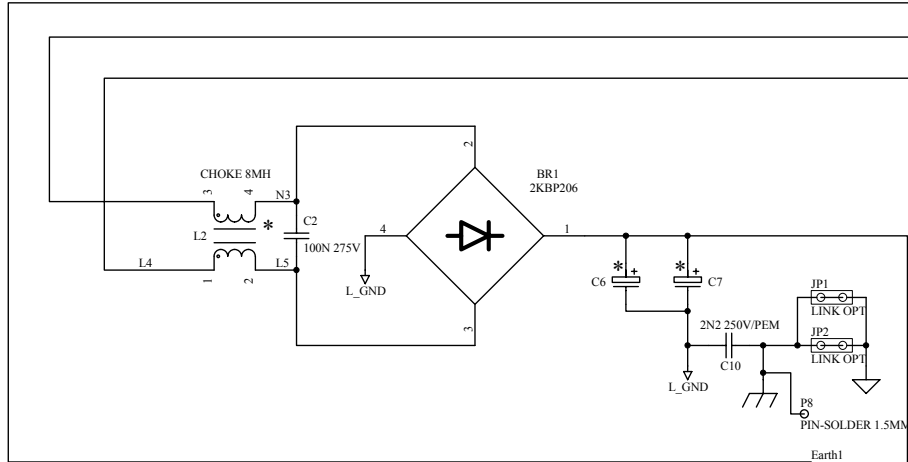
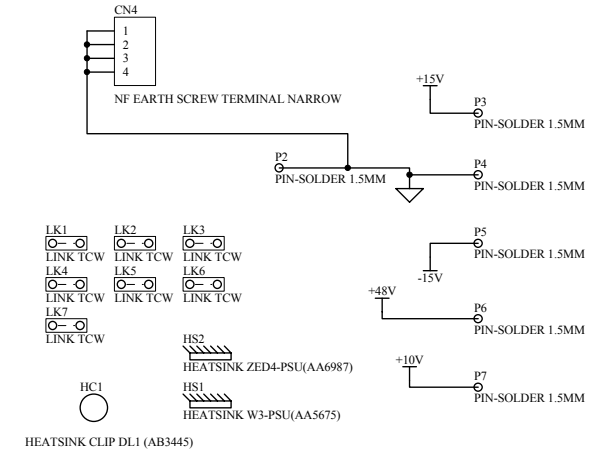


MOUNTING BRACKET CONTACT TO CHASSIS



* = COMPONENT DIFFERENCES BETWEEN PSU ASSEMBLIES

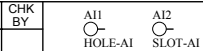
DESIG	ZED-14 003-661	ZED-24 003-778	ZED-12/22FX 003-776	ZED-420/428/436 003-741
C6	68UF 400V	68UF 400V	68UF 400V	180UF 400V
C7	NF	68UF 400V	68UF 400V	68UF 400V
R4	20K	20K	20K	22K
D3	NF	NF	FIT	FIT
C21 & C25	NF	NF	FIT	FIT
L7	NF	NF	FIT	FIT
R13 & R18	NF	NF	FIT	FIT
F2	NF	NF	FIT	WIRE LINK FITTED
F1	T630mAL	T1AL	T1AL	T1.6AL
L2 & L8	22mH	22mH	22mH	8mH



ALLEN&HEATH

Kernick Industrial Estate,
Penryn, Cornwall,
England. TR10 9LU
Tel: +44 (0)1326 372070
Fax: +44 (0)1326 370153

ISSUE	BY	DATE	CHK BY
A	MG	29/06/06	
B	MG	20-07-07	
1	AAT	14-09-07	
2	MG	26-10-07	



A FAN IS USED TO COOL THE REGULATOR HEATSINK ON THE ZED-428 AND 436 MODELS
A GOSS SHIELD IS FITTED AROUND L8 FOR MAGNETIC SHIELDING

* All parts to be RoHS Compliant *

TITLE: ZED MIXER PSU

PAGE:

FILE: C7075_2.Sch

PRINTED: 09:35:58 4-Jan-2008

DRG No: C7075 ISSUE: 2 SHEET: 1 OF 1