



DISTRIBUTION



ALLEN & HEATH

Parts identification sheet

ZED-16FX



Copyright © 2012 Allen & Heath Limited. All rights reserved

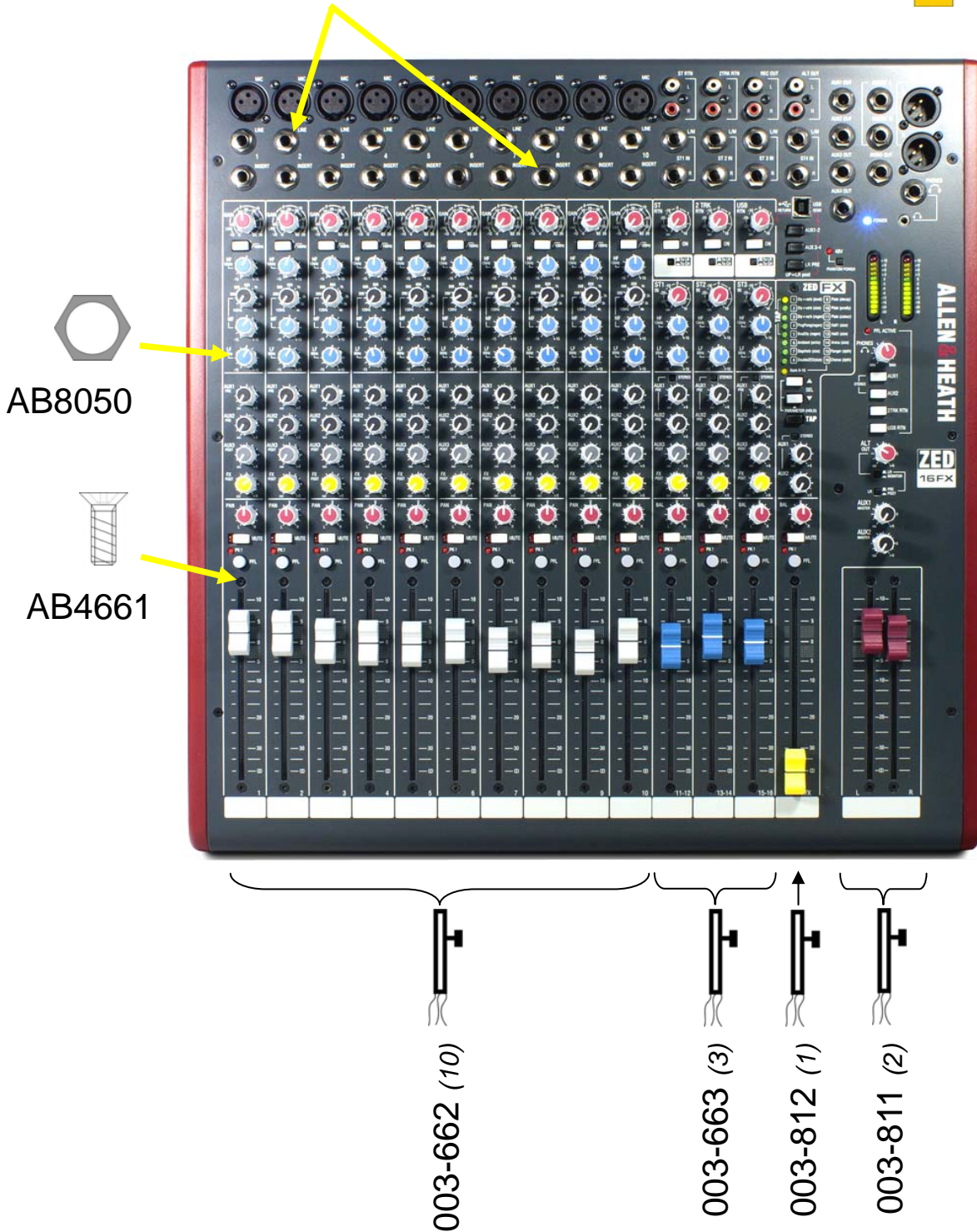
Allen & Heath Limited

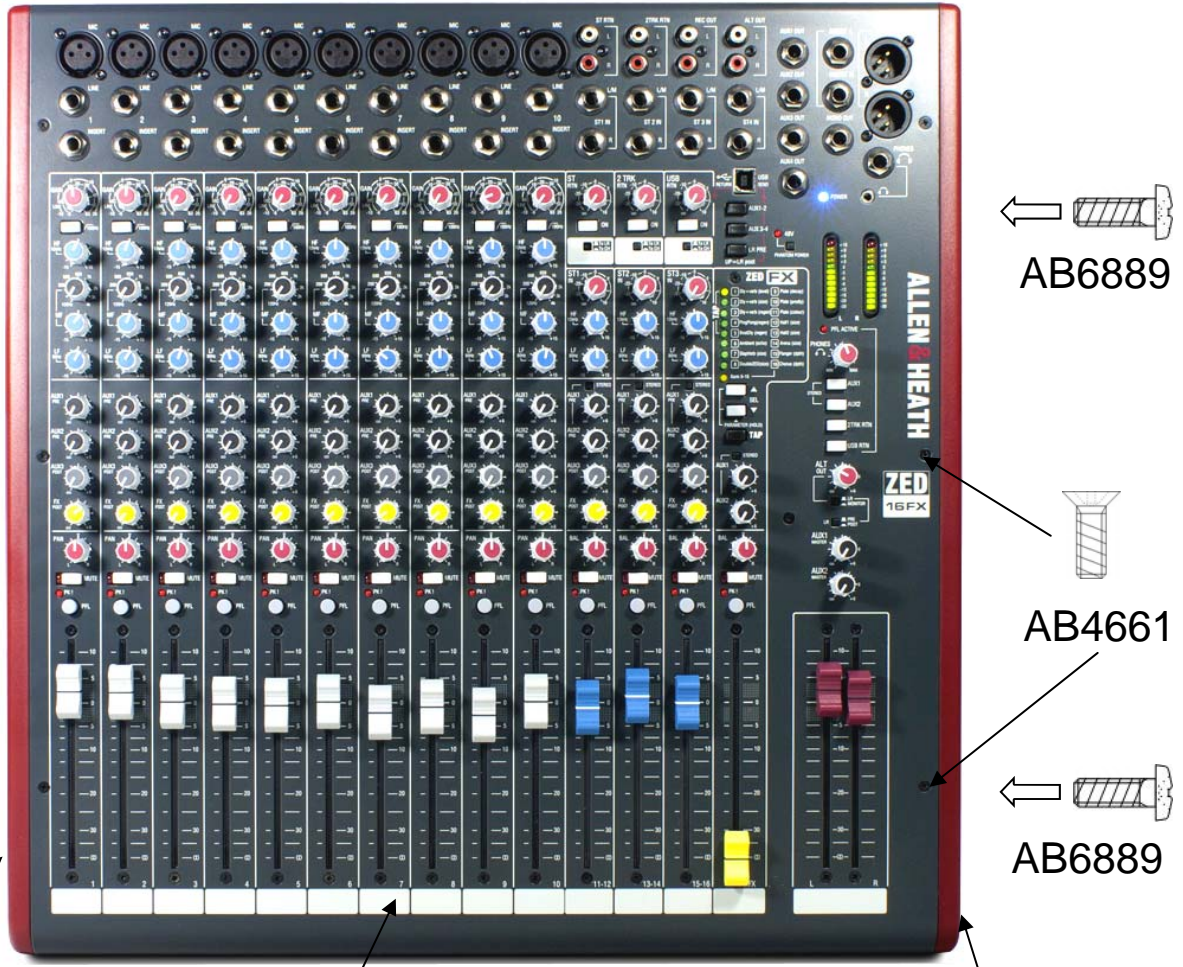
Kernick Industrial Estate, Penryn, Cornwall, TR10 9LU, UK

Contents

- 3 Exterior parts**
- 5 003-652 Mono IP**
- 5 003-653 Stereo IP**
- 6 003-654 Stereo FX-USB *003-664 USB sub PCB***
- 6 003-657 Master, left meter**
- 7 003-659 Headphones, right meter**
- 7 003-768 Aux mix**
- 8 003-769 Effects**
- 8 004-238 Distribution**
- 9 Order code 003-776 PSU *(003-777 PCB assembly)***

-  AJ8327  AJ8324  AJ3955  AJ6237
-  AJ2075A  AJ8323  J7180  AJ6278
-  AJ8326  AJ7179  AJ6950
-  AL6893  AJ7182  AJ8080





Side moulding left
AA6741-L
Side metal left
AA6740-L

Front panel
AA8524

Side moulding right
AA6741-R
Side metal right
AA6740-R

Button
AJ2887

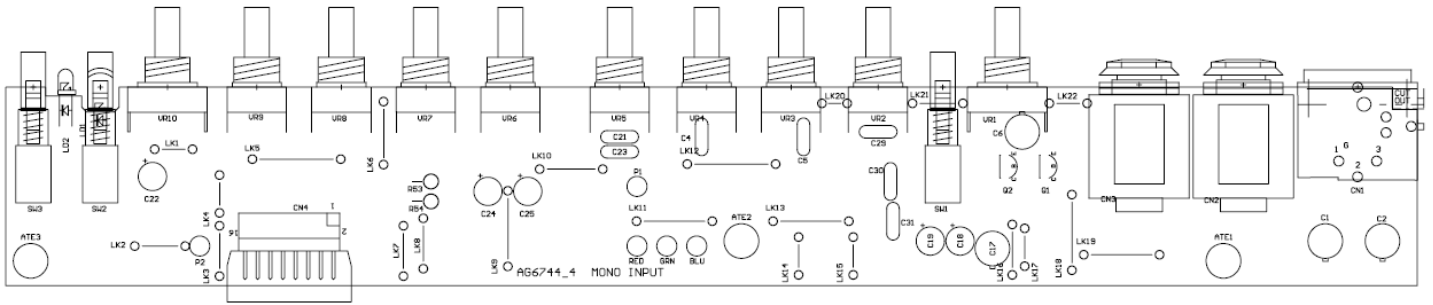
Feet
AK0102



AB0072

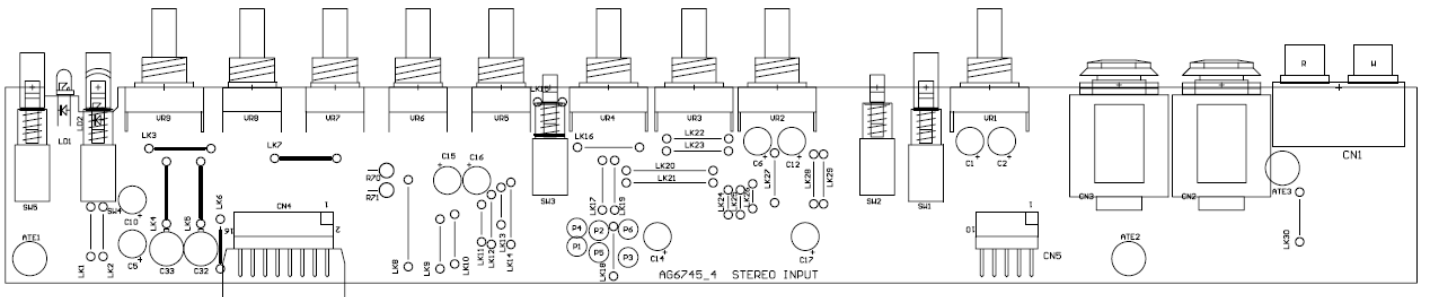
Base panel
AA8525

AL6824
 AL6824
 AI8008
 AI8003
 AI8003
 AI8003
 AI8003
 AI8004
 AI8004
 AI8005
 AI8004
 AL6824
 AI8174
 AL6893
 AL6893
 AL2412



003-652 Mono IP

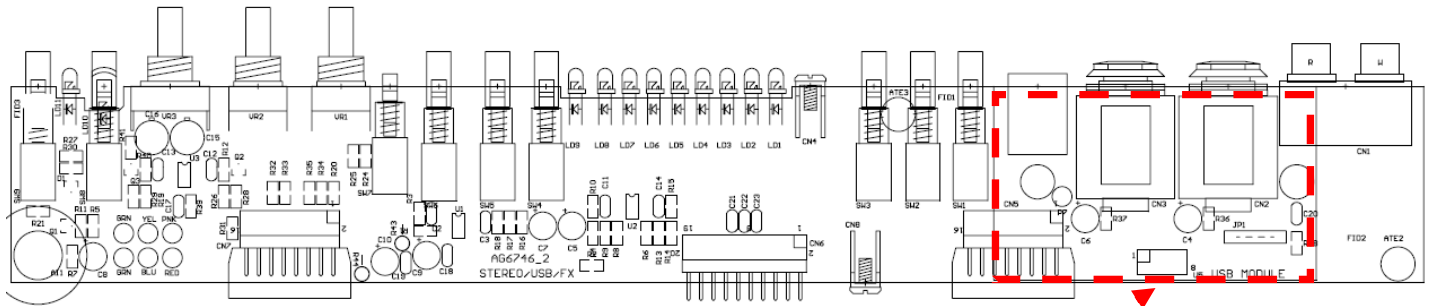
AL6824
 AL6824
 AI8008
 AI8003
 AI8003
 AI8003
 AI8003
 AL6824
 AI8006
 AI8006
 AI8007
 AL6824
 AL6824
 AI8007
 AL6893
 AL6893
 AL6830



003-653 Stereo IP

AL6824
 AL6824
 AI8008
 AI8003
 AI8003
 AL6824
 AL6824
 AL6824
 AL6824

AL6824
 AL6824
 AL6824
 AL6096
 AL6893
 AL6893
 AL6830



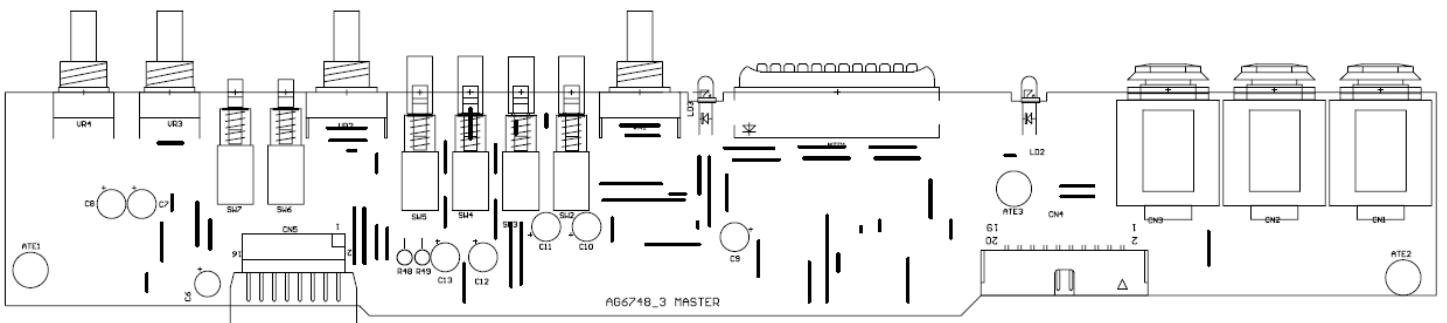
003-654 Stereo FX-USB

003-664 USB sub PCB

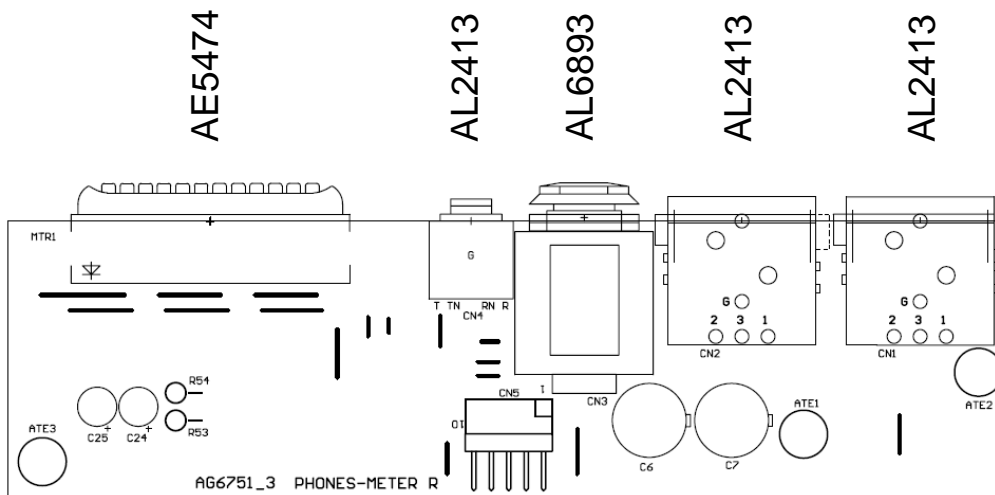
AI8003
 AI8003
 AL6824
 AL6824
 AI8007
 AL6824
 AL6824
 AL6824
 AL6824
 AI8007

AE5474

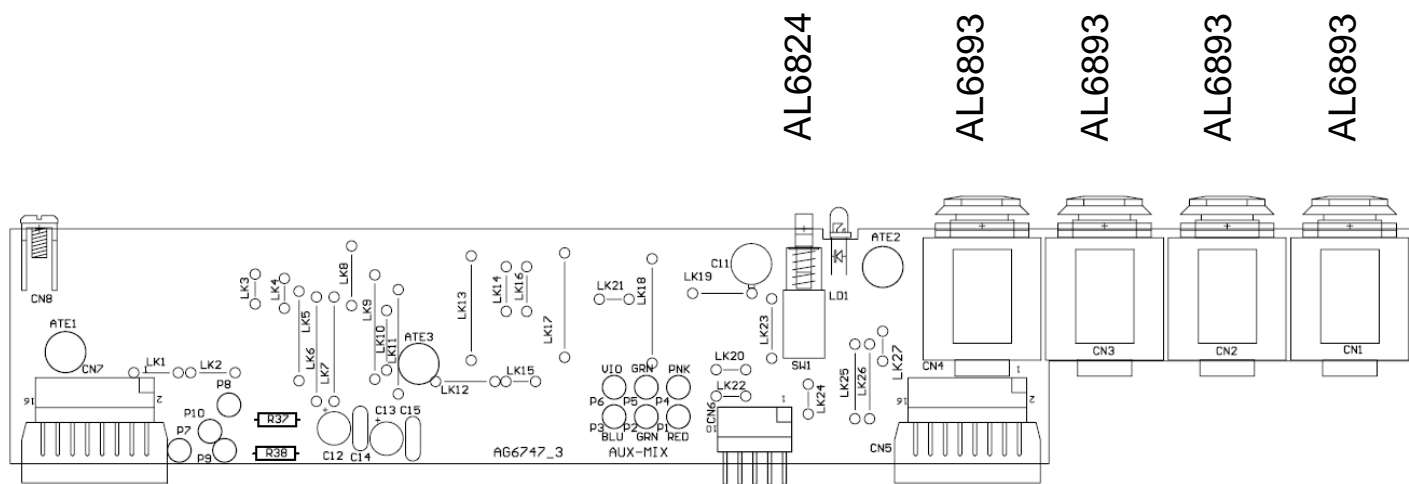
AL6893
 AL6893
 AL6893



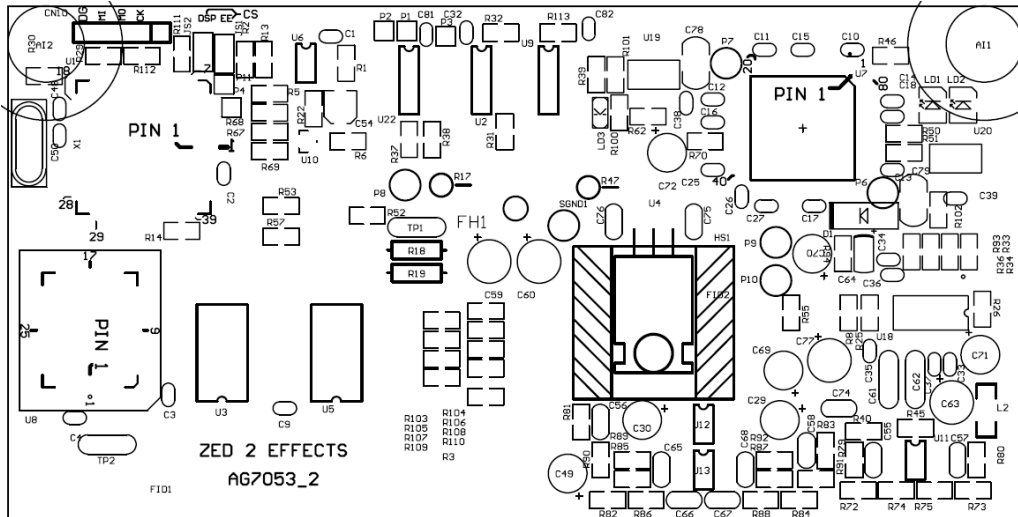
003-657 Master, left meter



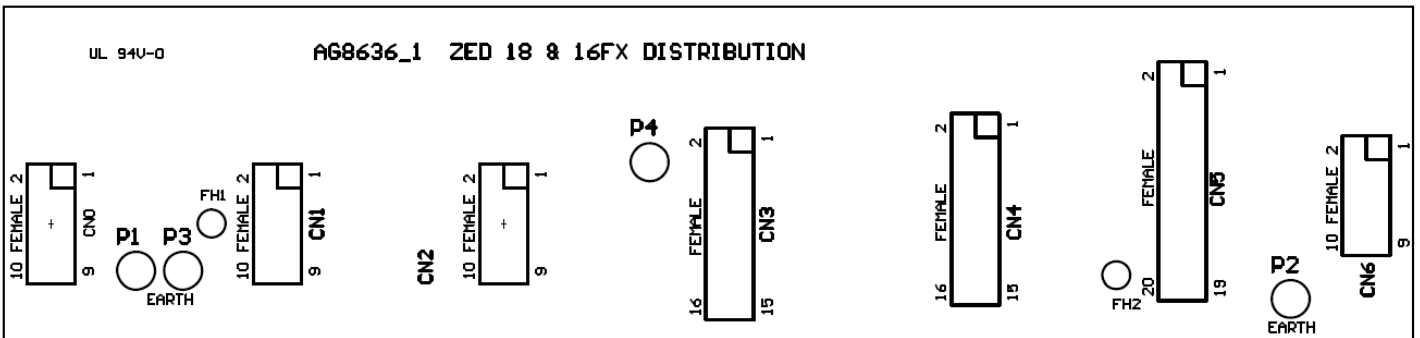
003-659 Headphones, right meter



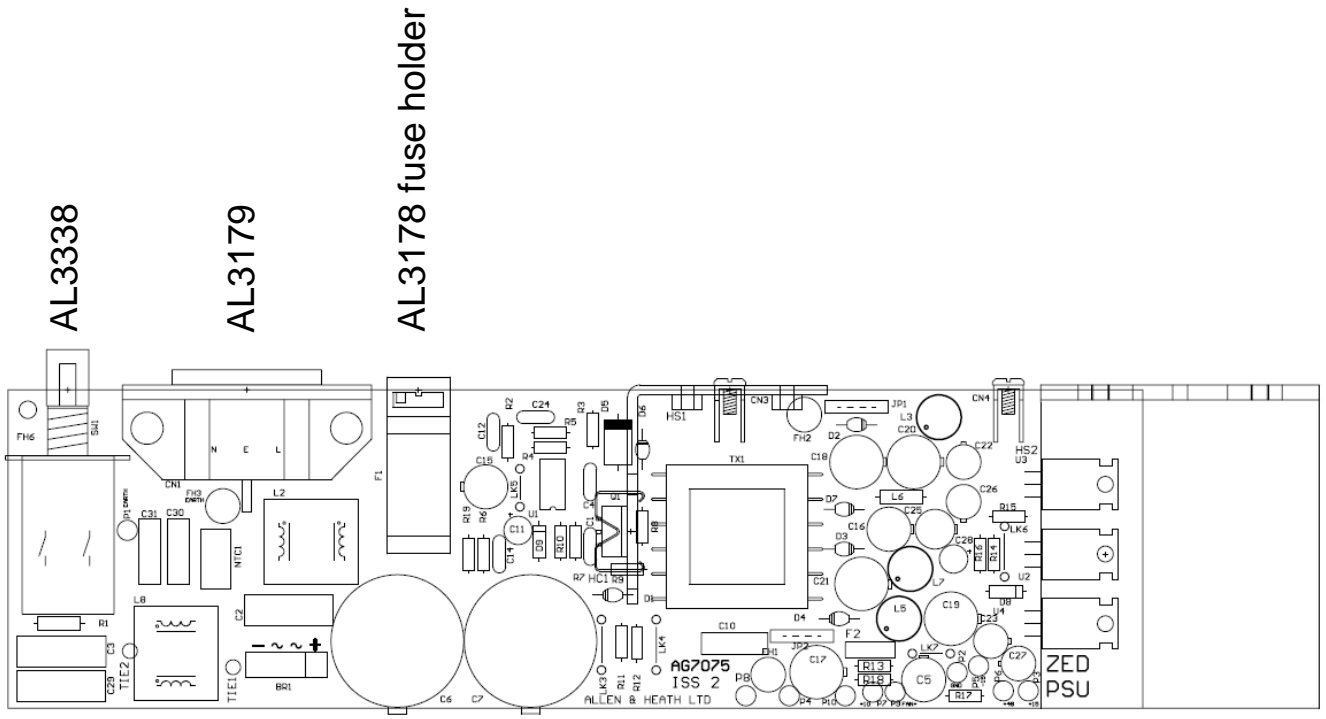
003-768 Aux mix



003-769 Effects



004-238 Distribution



Order code 003-776 PSU (003-777 PCB assembly)