

**DISTRIBUTION**

**ALLEN&HEATH**

**Parts identification sheet**

**ZED-16FX**

Copyright © 2012 Allen & Heath Limited. All rights reserved

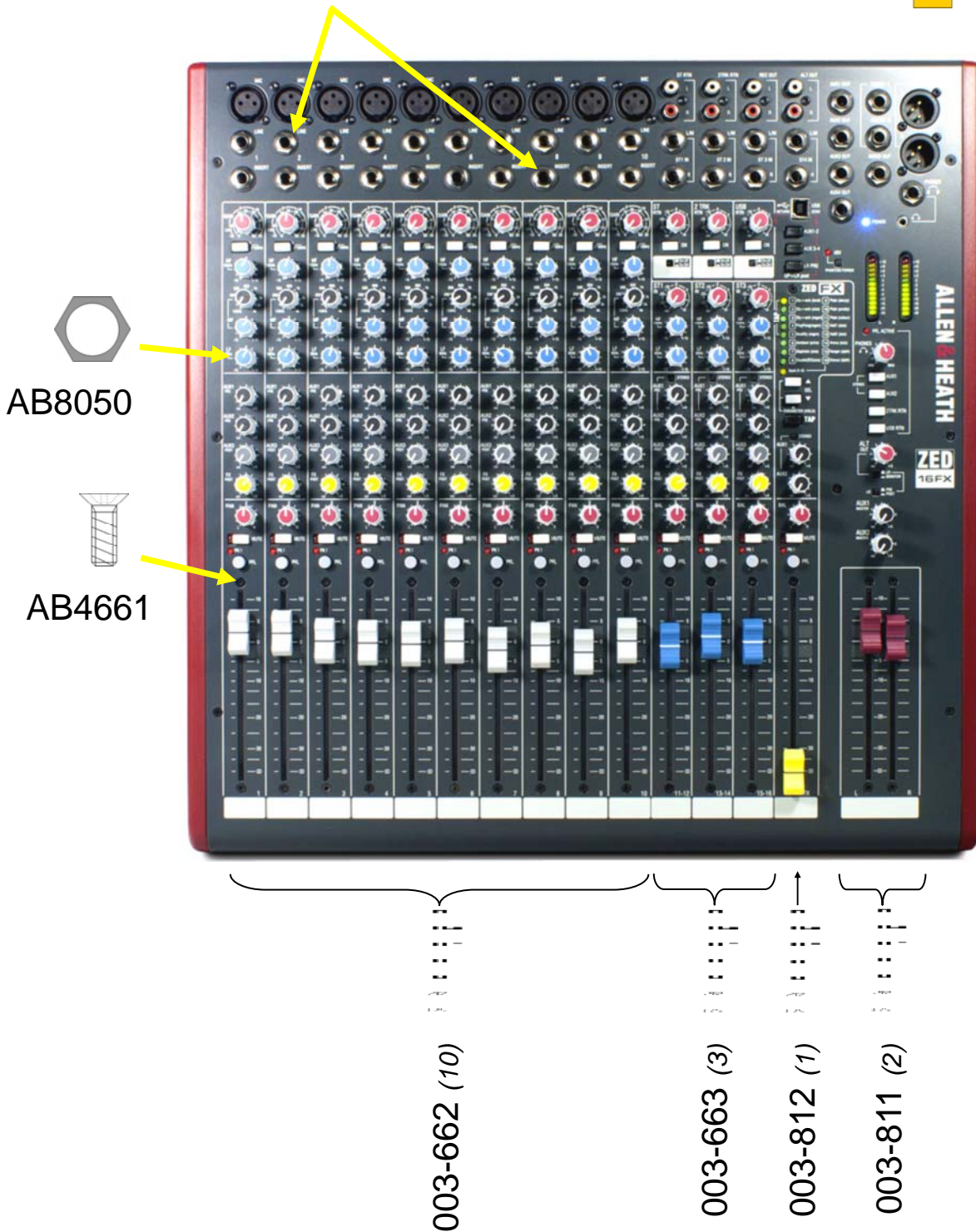
Allen & Heath Limited

Kernick Industrial Estate, Penryn, Cornwall, TR10 9LU, UK

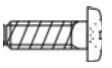
## Contents


- 3 Exterior parts**
- 5 003-652 Mono IP**
- 5 003-653 Stereo IP**
- 6 003-654 Stereo FX-USB**     *003-664 USB sub PCB*
- 6 003-657 Master, left meter**
- 7 003-659 Headphones, right meter**
- 7 003-768 Aux mix**
- 8 003-769 Effects**
- 8 004-238 Distribution**
- 9 Order code 003-776 PSU**     *(003-777 PCB assembly)*

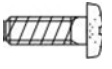
-  AJ8327       AJ8324       AJ3955       AJ6237
-  AJ2075A       AJ8323       J7180       AJ6278
-  AJ8326       AJ7179       AJ6950
-  AL6893       AJ7182       AJ8080





←   
AB6889

  
AB8592

←   
AB6889

Side moulding left  
AA6741-L  
Side metal left  
AA6740-L

Front panel  
AA8524

Side moulding right  
AA6741-R  
Side metal right  
AA6740-R

Button  
AJ2887 

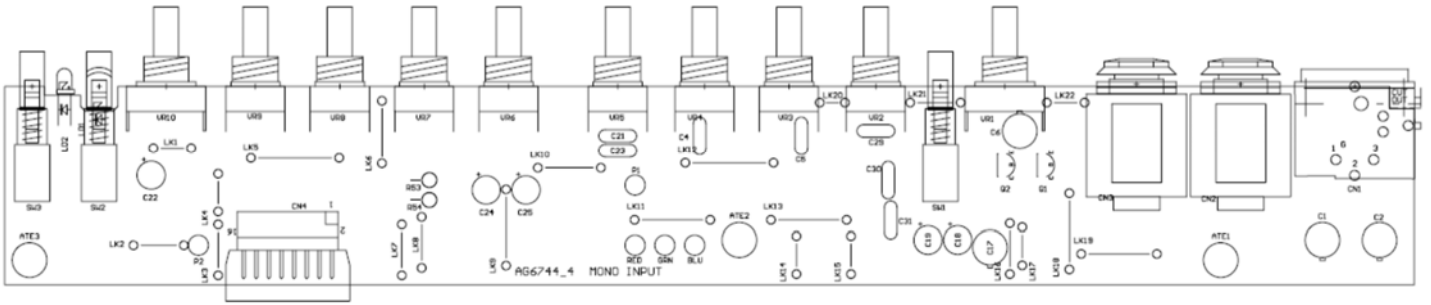
Feet  
AK0102 



  
AB0072

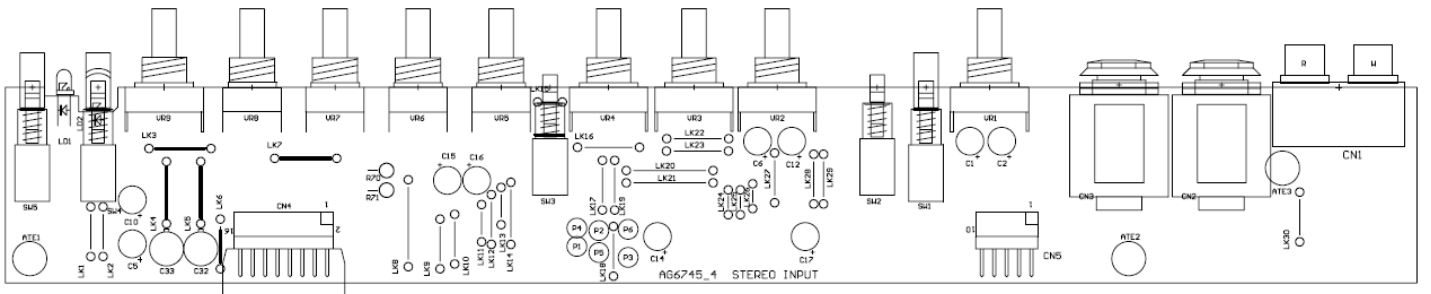
Base panel  
AA8525

AL6824  
 AL6824  
 AI8008  
 AI8003  
 AI8003  
 AI8003  
 AI8003  
 AI8004  
 AI8004  
 AI8005  
 AI8004  
 AL6824  
 AI8174  
 AL6893  
 AL6893  
 AL2412



003-652 Mono IP

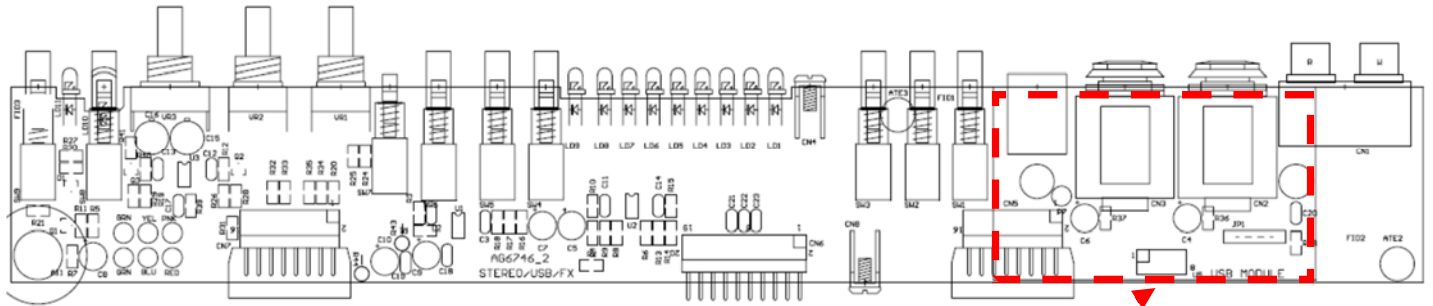
AL6824  
 AL6824  
 AI8008  
 AI8003  
 AI8003  
 AI8003  
 AI8003  
 AL6824  
 AI8006  
 AI8006  
 AI8007  
 AL6824  
 AL6824  
 AI8007  
 AL6893  
 AL6893  
 AL6830



003-653 Stereo IP

AL6824  
 AL6824  
 AI8008  
 AI8003  
 AI8003  
 AL6824  
 AL6824  
 AL6824  
 AL6824

AL6824  
 AL6824  
 AL6824  
 AL6096  
 AL6893  
 AL6893  
 AL6830



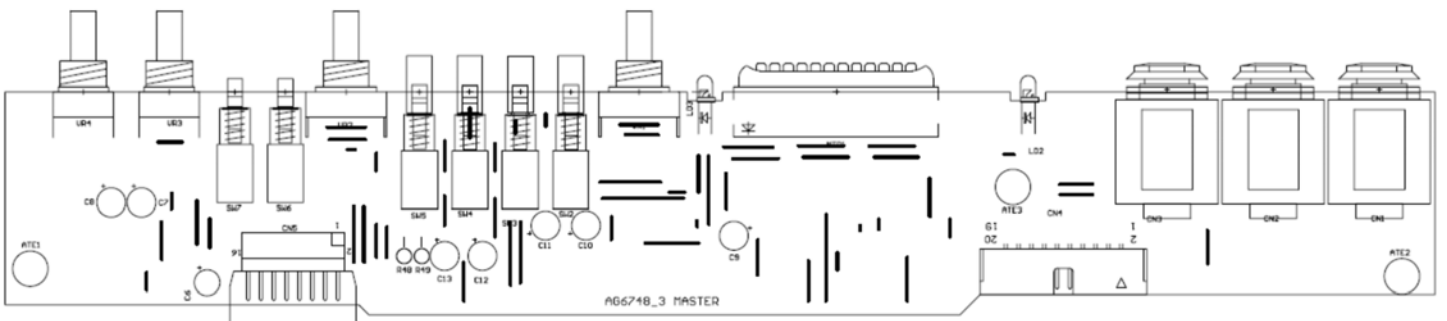
003-654 Stereo FX-USB

003-664 USB sub PCB

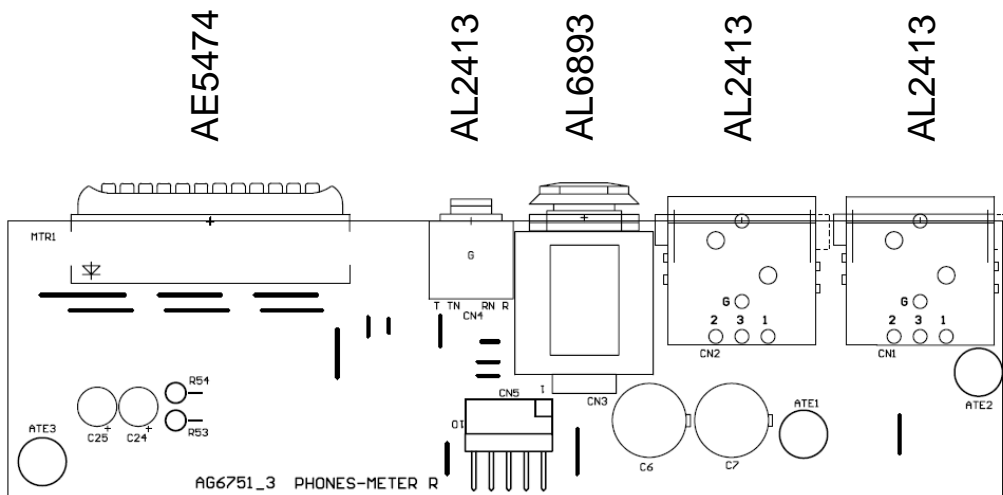
AI8003  
 AI8003  
 AL6824  
 AL6824  
 AI8007  
 AL6824  
 AL6824  
 AL6824  
 AL6824  
 AI8007

AE5474

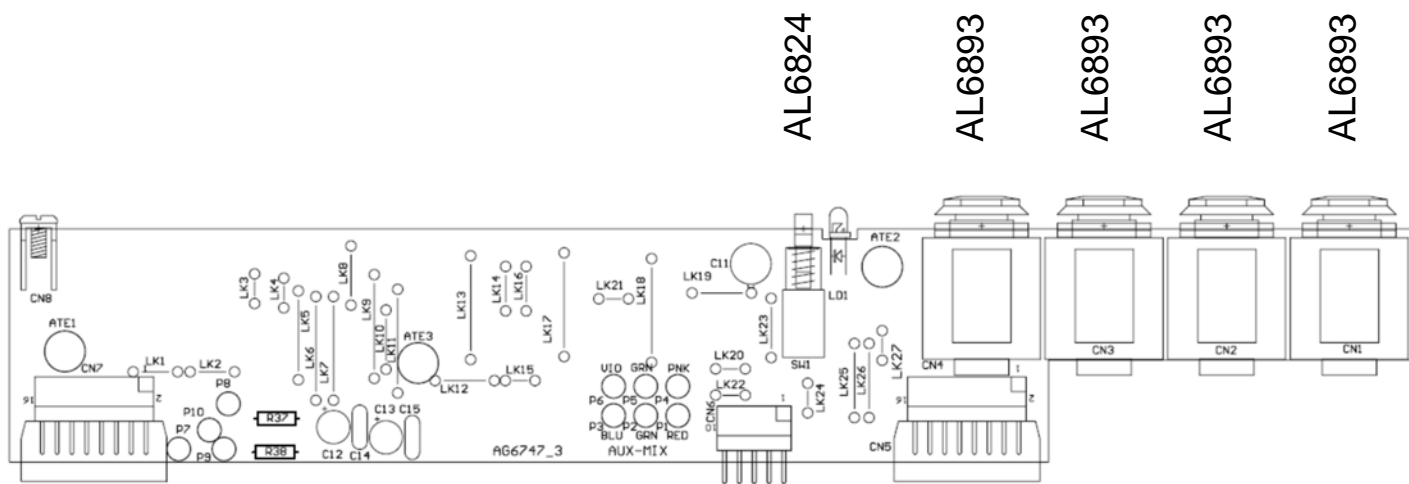
AL6893  
 AL6893  
 AL6893



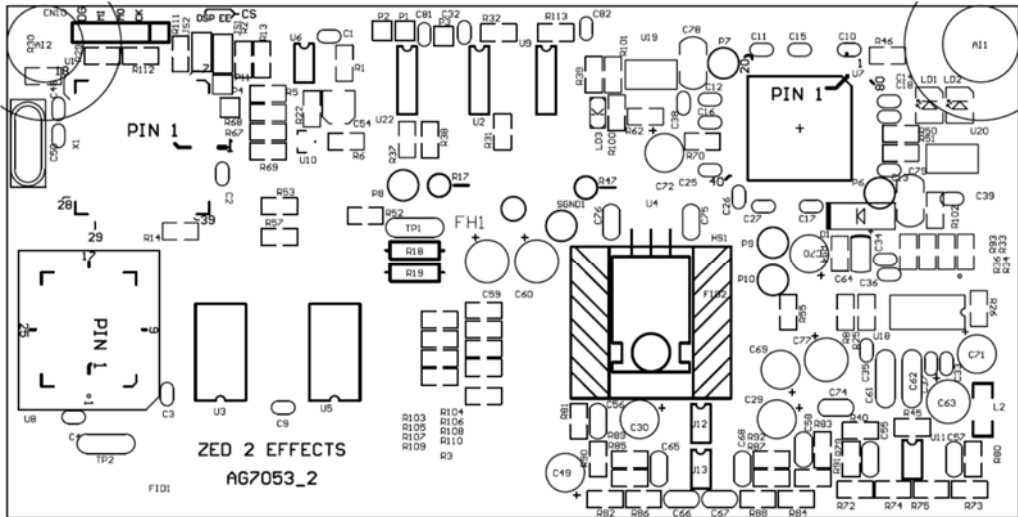
003-657 Master, left meter



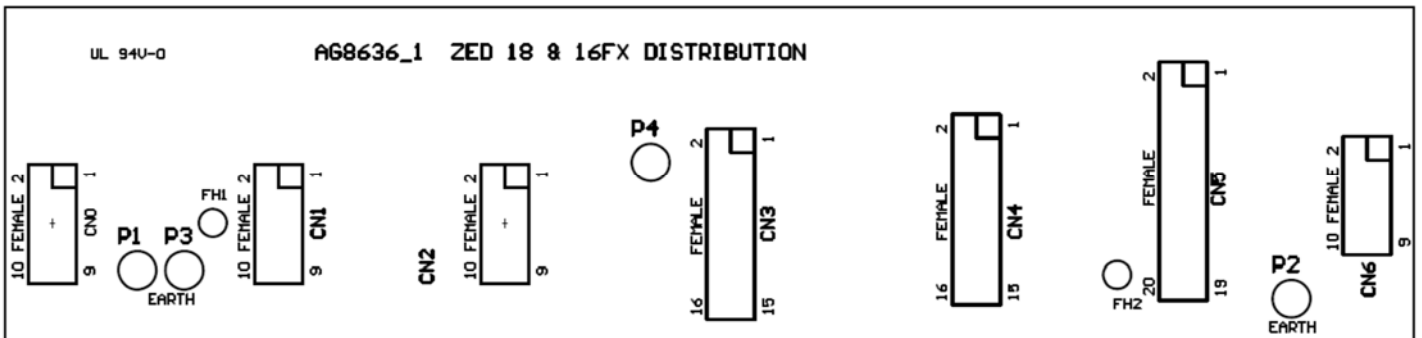
003-659 Headphones, right meter



003-768 Aux mix

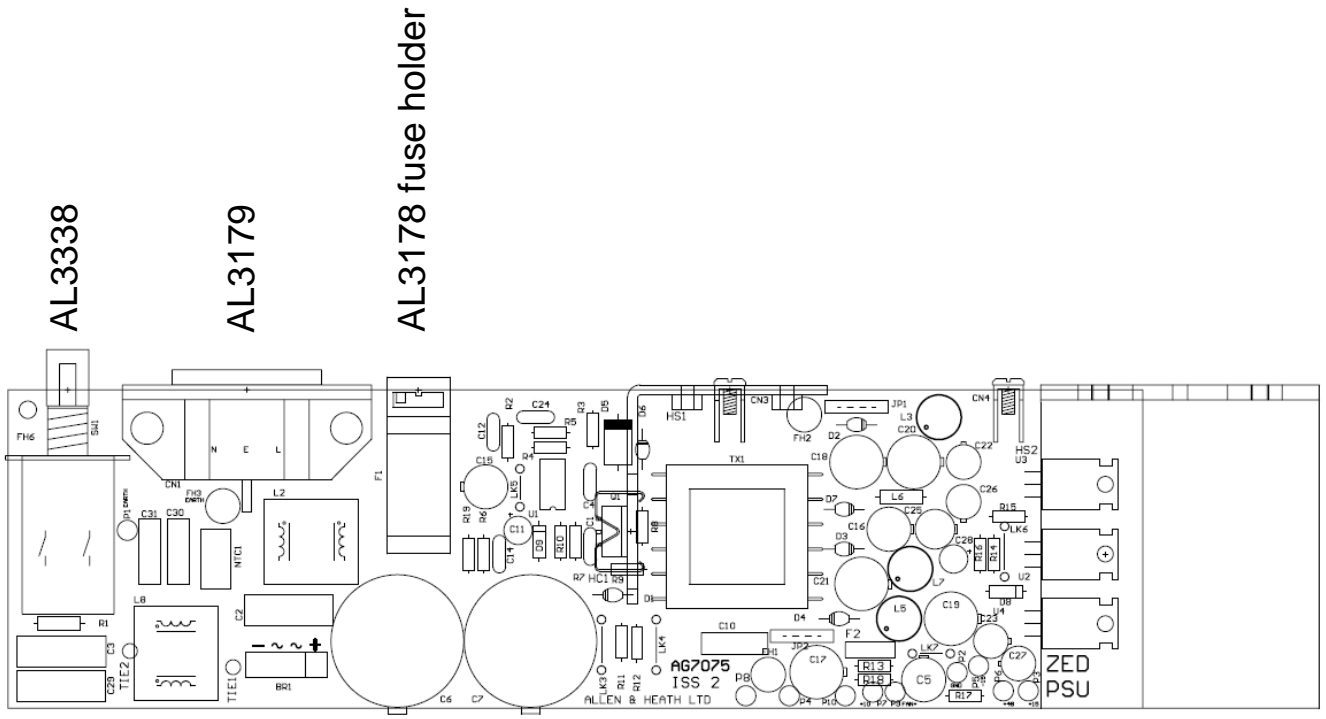


003-769 Effects



004-238 Distribution





Order code 003-776 PSU (003-777 PCB assembly)