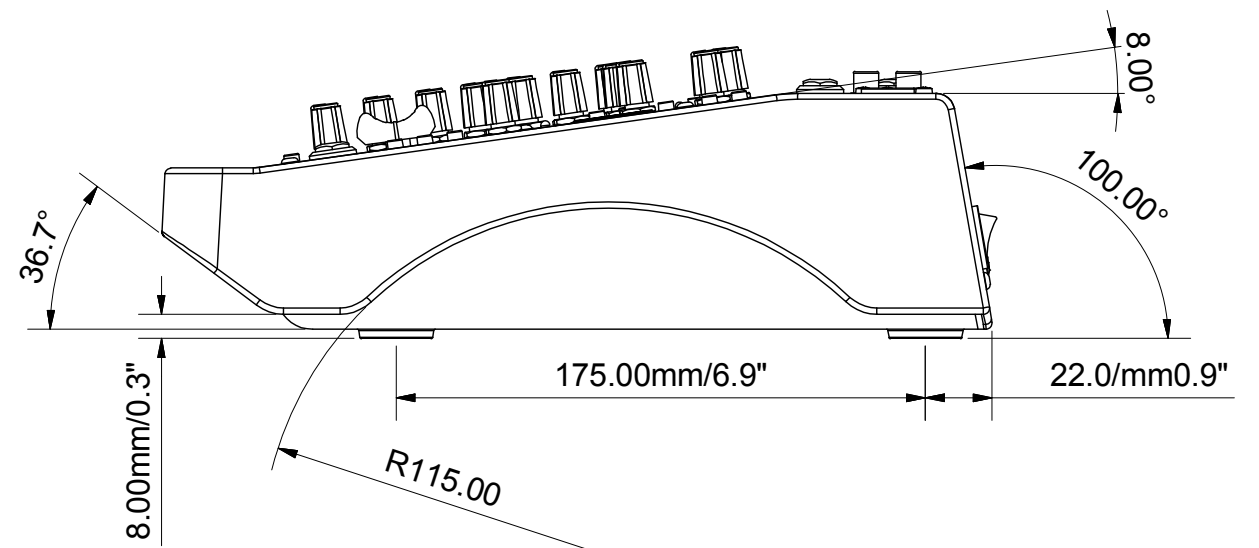
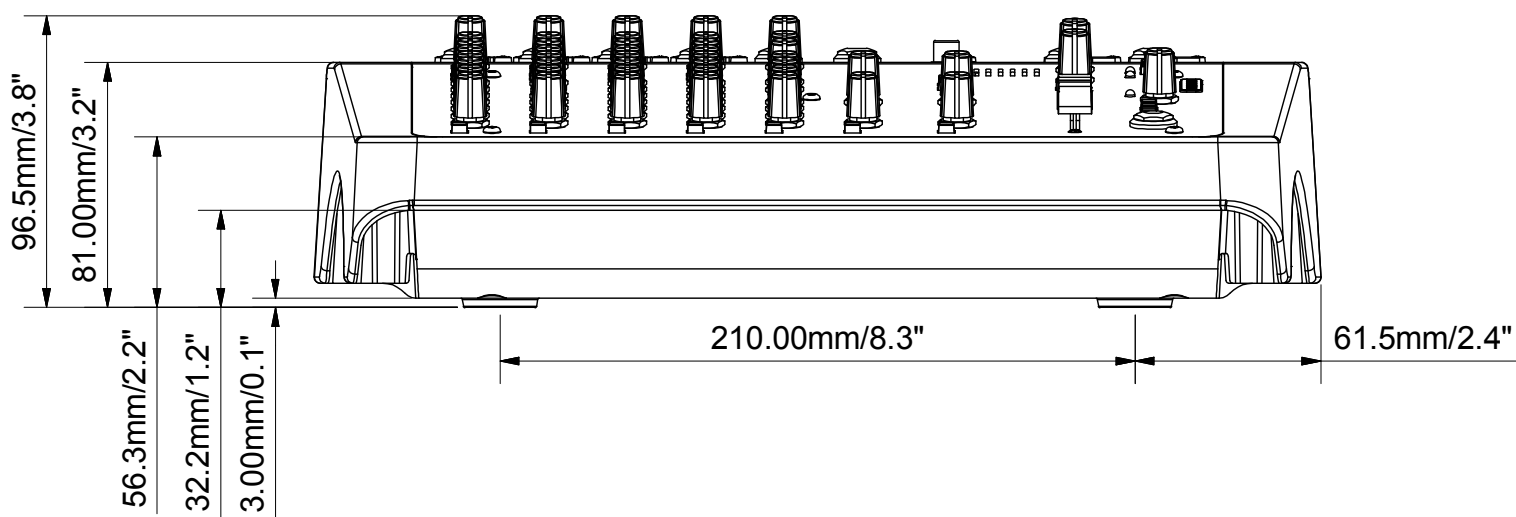


**ZEDi-10 - Without box**

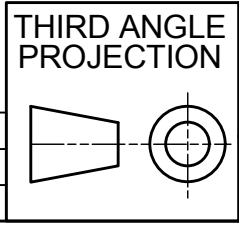
Width - 332.9mm/13.1"  
 Depth - 274.6mm/10.8"  
 Height - 96.5mm/3.8"  
 Weight - 2.2kg/4.85lbs

**ZEDi-10 - With box**

Width - 445mm/17.5"  
 Depth - 328mm/12.9"  
 Height - 138mm/5.4"  
 Weight - 3kg/6.6lbs



REVISION HISTORY				
REV	DESCRIPTION	ECN	DATE	APPROVED
A	ORIGIN		10/08/2015	ALEXMO



**MATERIAL:**  
 All materials to be compliant with The Restriction of Hazardous Substances (ROHS2) Directive 2011/65/EU

**TOLERANCES U O S:**  
 GENERAL ± 0.25 HOLE CENTRES ± 0.10  
 HOLE SIZES ± 0.05 ANGULAR DIMS ± 0.50°

**FINISH:**  
 SEE NOTE

**DRAWING**  
 MAIN ASSY

**UNIT** ZEDi-10

**PART**  
 No 007-172

**DRAWING No**  
 Zedi-10 Weights and Dims

**ALLEN & HEATH Ltd.**  
 KERNICK INDUSTRIAL ESTATE  
 PENRYN CORNWALL TR10 9LU  
 TELEPHONE 01326 372070  
 FACSIMILE 01326 370153

**SHEET** 1 of 1  
**ISSUE** A