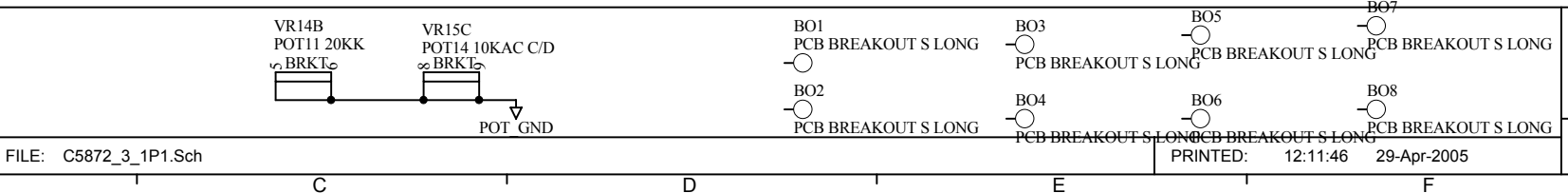


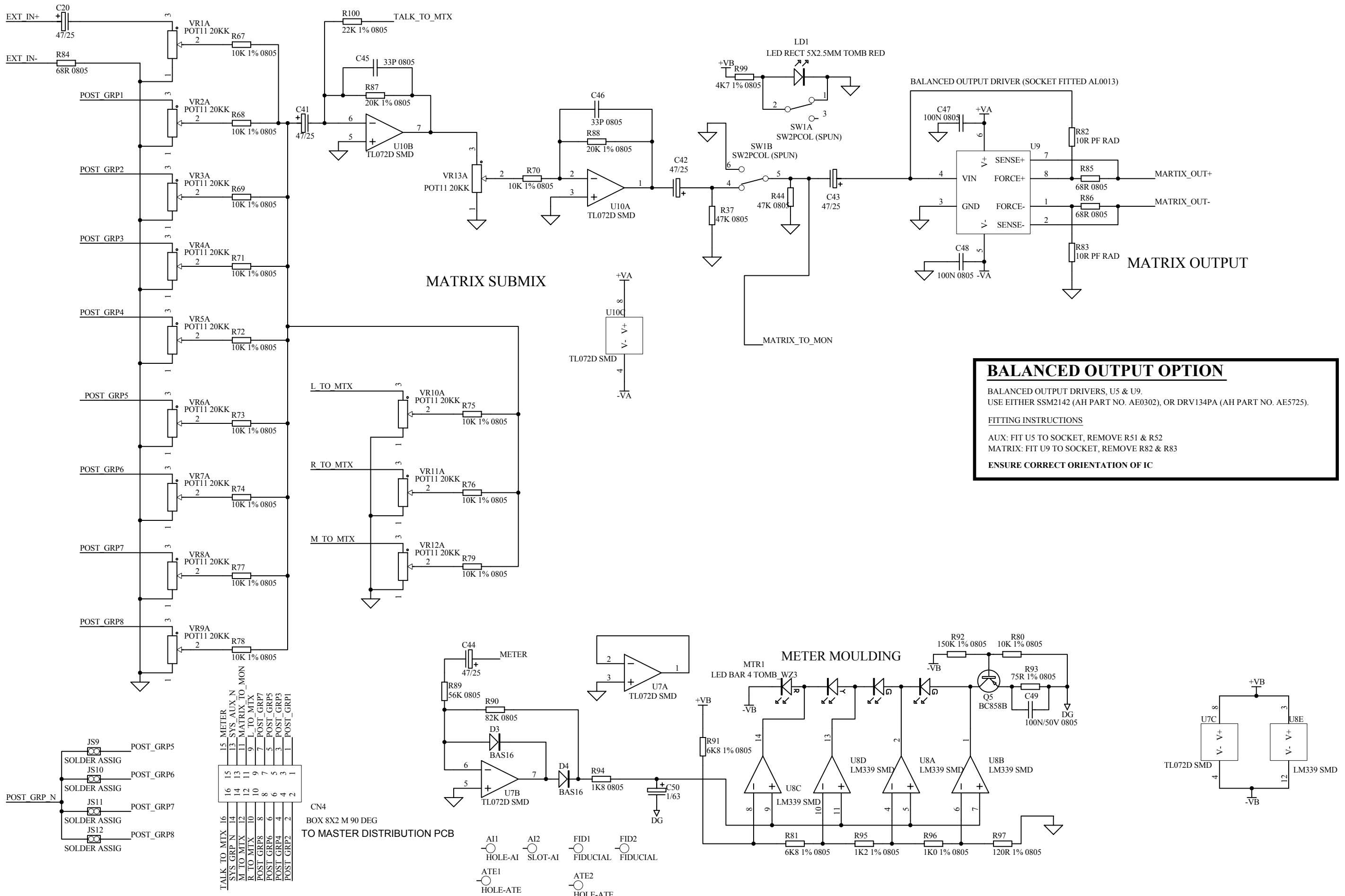
ALLEN&HEATH
 Kernick Industrial Estate,
 Penryn, Cornwall,
 England. TR10 9LU
 Tel: +44 (0)8707 556250
 Fax: +44 (0)8707 556251

ISSUE	BY	DATE	CHK BY
A	MG	12-10-04	XXX
1	MG	27/01/05	XXX
2	MG	14/02/05	XXX
3	MG	24/03/05	XXX
3.1	MG	19/04/05	XXX



TITLE: GL2800 GROUP MATRIX
PAGE:
DRG No: C5872 **ISSUE: 3.1** **SHEET: 1 OF 2**

PRINTED: 12:11:46 29-Apr-2005



BALANCED OUTPUT OPTION

BALANCED OUTPUT DRIVERS, U5 & U9.
 USE EITHER SSM2142 (AH PART NO. AE0302), OR DRV134PA (AH PART NO. AE5725).

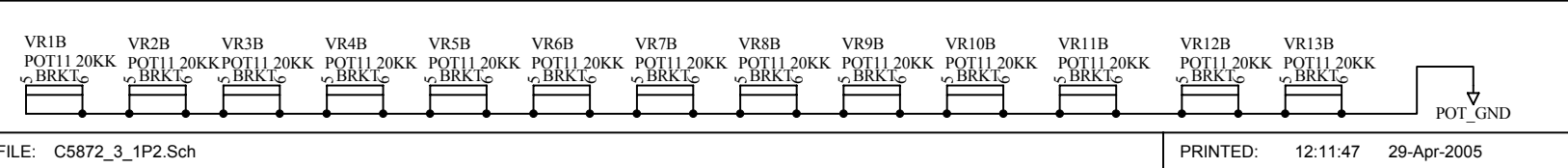
FITTING INSTRUCTIONS

AUX: FIT U5 TO SOCKET, REMOVE R51 & R52
 MATRIX: FIT U9 TO SOCKET, REMOVE R82 & R83

ENSURE CORRECT ORIENTATION OF IC

ALLEN&HEATH
 Kernick Industrial Estate,
 Penryn, Cornwall,
 England. TR10 9LU
 Tel: +44 (0)8707 556250
 Fax: +44 (0)8707 556251

ISSUE	BY	DATE	CHK BY
1	MG	12-10-04	XXX
2	MG	27/01/05	XXX
3	MG	14/02/05	XXX
3.1	MG	24/03/05	XXX
	MG	19/04/05	XXX



FILE: C5872_3_1P2.Sch

PRINTED: 12:11:47 29-Apr-2005

TITLE: **GL2800 GROUP MATRIX**
 PAGE:
 DRG No: C5872 ISSUE: 3.1 SHEET: 2 OF 2

