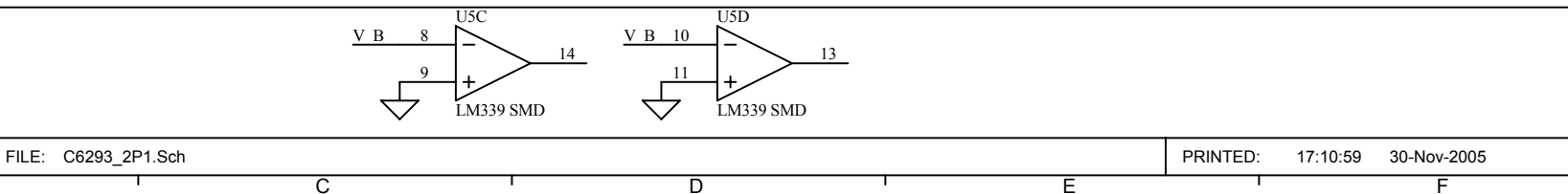
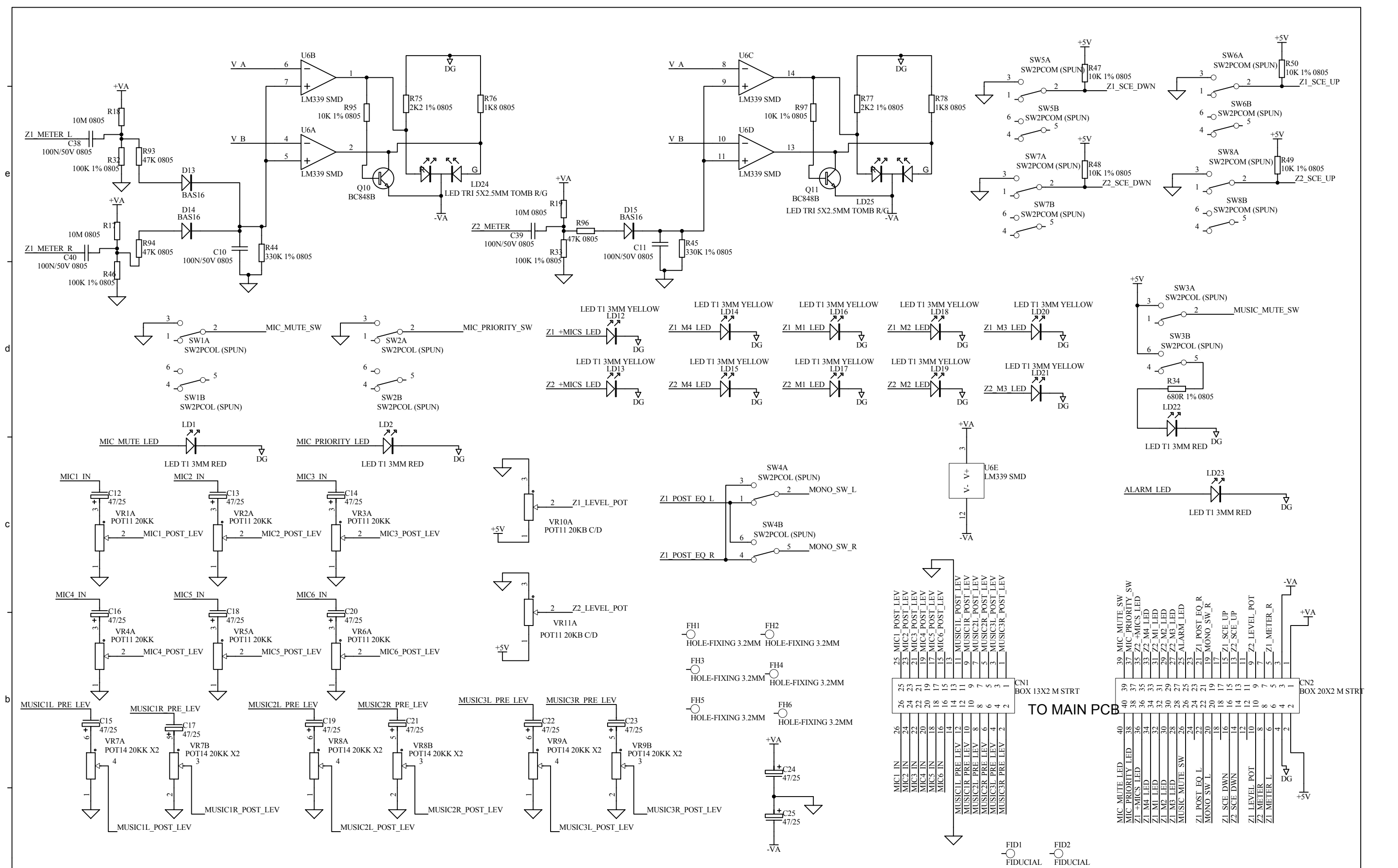


ALLEN&HEATH Kernick Industrial Estate, Penryn, Cornwall, England. TR10 9LU Tel: +44 (0)1326 372070 Fax: +44 (0)1326 370153	ISSUE	BY	DATE	CHK BY
	A	MG	24/05/05	
	B	MG	07/07/05	
	C	MG	07/07/05	
	1	MG	08/08/05	
	2	AAT	01-09-05	



FILE: C6293_2P1.Sch	PRINTED: 17:10:59 30-Nov-2005	TITLE: GR2 FRONT SUB PCB
		PAGE:
		DRG No: 6293 ISSUE: 2 SHEET: 1 OF 2



ALLEN&HEATH
 Kernick Industrial Estate,
 Penryn, Cornwall,
 England. TR10 9LU
 Tel: +44 (0)1326 372070
 Fax: +44 (0)1326 370153

ISSUE	BY	DATE	CHK BY
A	MG	24/05/05	
B	MG	07/07/05	
C	MG	07/07/05	
1	MG	08/08/05	
2	AAT	01-09-05	

VR1B POT11 20KK BRKT	VR2B POT11 20KK BRKT	VR3B POT11 20KK BRKT	VR4B POT11 20KK BRKT	VR5B POT11 20KK BRKT	VR6B POT11 20KK BRKT	VR7C POT14 20KK X2 BRKT	VR8C POT14 20KK X2 BRKT	VR9C POT14 20KK X2 BRKT	VR10B POT11 20KB C/D BRKT	VR11B POT11 20KB C/D BRKT	AH1 HOLE-AI	ATE1 HOLE-ATE
----------------------------	----------------------------	----------------------------	----------------------------	----------------------------	----------------------------	-------------------------------	-------------------------------	-------------------------------	---------------------------------	---------------------------------	----------------	------------------

FILE: C6293_2P2.Sch

TITLE: **GR2 FRONT SUB PCB**
 PAGE:
 DRG No: 6293 ISSUE: 2 SHEET: 2 OF 2

PRINTED: 17:11:00 30-Nov-2005

ALLEN & HEATH LTD

GR2 FRONT SUB PCB
AG6293_2

UL 94V-0

