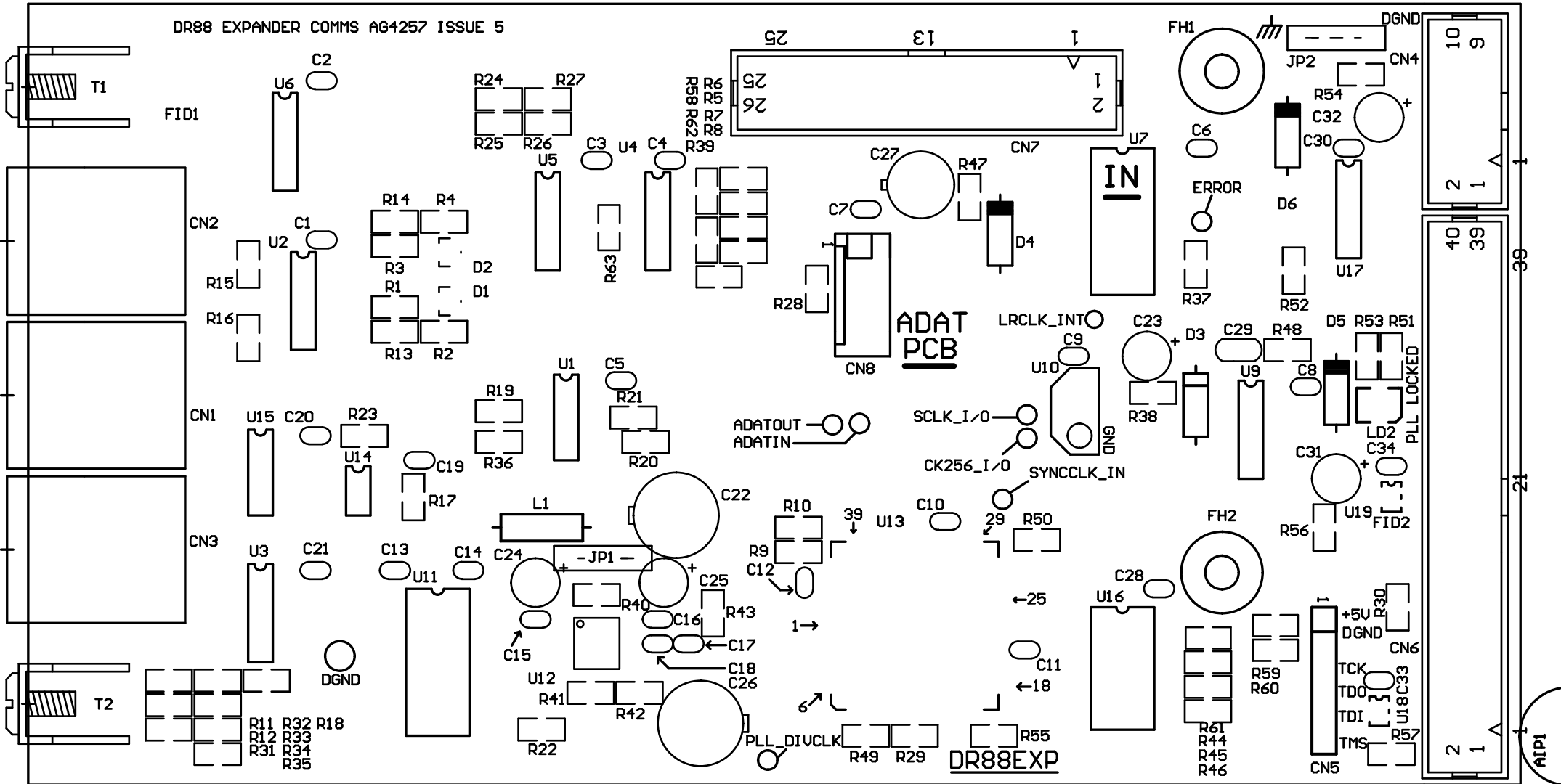
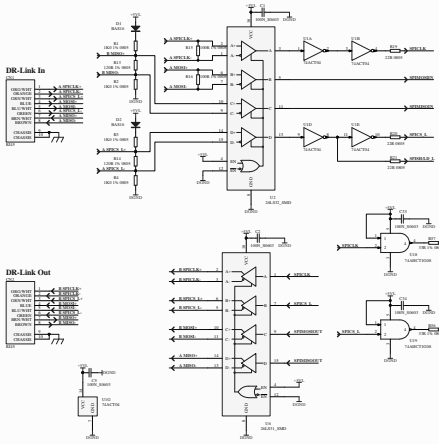
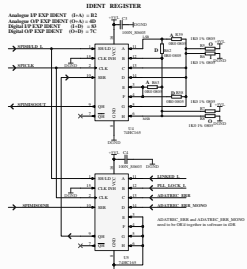


DR88 EXPANDER COMMS AG4257 ISSUE 5





This PCB is used in 4 assays
 Parts marked I are fitted on Input Expanders only
 Parts marked A are fitted on Output Expanders only
 Parts marked O are fitted on Analogue Expanders only
 Parts marked D are fitted on Digital Expanders only
 Parts marked with multiple characters eg A & O are fitted on the expanders which match the code only, eg Analogue Output Expander because it is BOTH Analogue (A) and (S) an Output (O) expander.
 These characters are in Part Field 1 and hence can be included in BOM generation



ALLEN & HEATH
 ANALOGUE COMMUNICATIONS
 PLYMOUTH, CORNWALL
 ENGLAND TR9 5LJ

REV	DATE	BY	CHKD
1	12/01/98	ALAN	ALAN
2	12/01/98	ALAN	ALAN
3	12/01/98	ALAN	ALAN
4	12/01/98	ALAN	ALAN
5	12/01/98	ALAN	ALAN
6	12/01/98	ALAN	ALAN
7	12/01/98	ALAN	ALAN
8	12/01/98	ALAN	ALAN

FILE: DR88EXPANDED_APT_020898_0P1.DSN

All parts to be BOMs Compliant

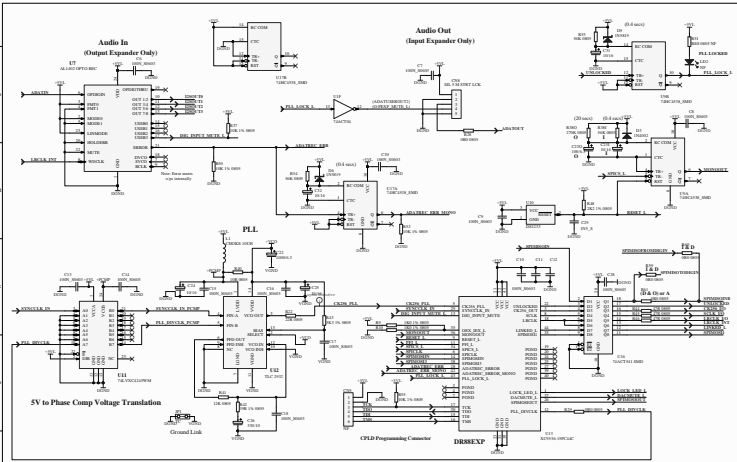
TITLE: DR88 EXPANDER COMMS

PAGE:

DRG No: AG4257 ISSUE: 5 SHEET: 2 OF 4

PROBATION: 12/01/98 10:50:00

PROBATION: 12/01/98 10:50:00



ALLEN & HEATH

Model No. Part No. Rev. No.
 1 2 3
 4 5 6
 7 8 9
 10 11 12
 13 14 15
 16 17 18
 19 20 21
 22 23 24
 25 26 27
 28 29 30
 31 32 33
 34 35 36
 37 38 39
 40 41 42
 43 44 45
 46 47 48
 49 50 51
 52 53 54
 55 56 57
 58 59 60
 61 62 63
 64 65 66
 67 68 69
 70 71 72
 73 74 75
 76 77 78
 79 80 81
 82 83 84
 85 86 87
 88 89 90
 91 92 93
 94 95 96
 97 98 99
 100 101 102

Person, Cornwall
 England TR26 5LW

Tel: +44 (0)1538 372030

Fax: +44 (0)1538 371153

File: DR88-EXP-001.DWG_APR_2008_A4H1/34

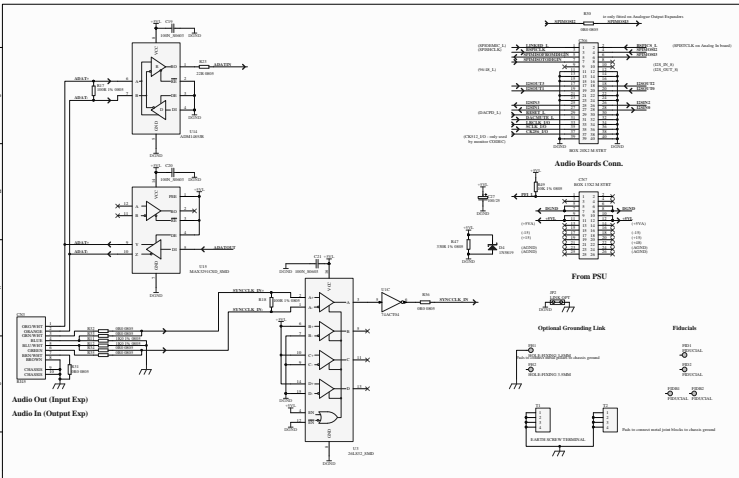
All parts to be Bufile Compliant

PRINTED: 11/10/08 10:58:00

TITLE: DR88 EXPANDER COMMS

PAGE:

DRG No. AG4257 ISSUE: 5 SHEET: 3 of 4



ALLEN & HEATH
 Research & Development Division
 Plymouth, Cornwall
 England TR9 9 5JJ
 Tel: +44 (0)1538 372939
 Fax: +44 (0)1538 376163

REV	DATE	CHK
1	12/82	WJ
2	12/82	WJ
3	12/82	WJ
4	12/82	WJ
5	12/82	WJ
6	12/82	WJ

FILE: DR88EXP1.DWG APP: COMMMS.EPCAT.DWG

All parts to be Built's Compliance

PROBEN 13/08/88

TITLE: DR88 EXPANDER COMMS
 PAGE:
 DRG No: AG4257 ISSUE: 5 SHEET: 4 of 4