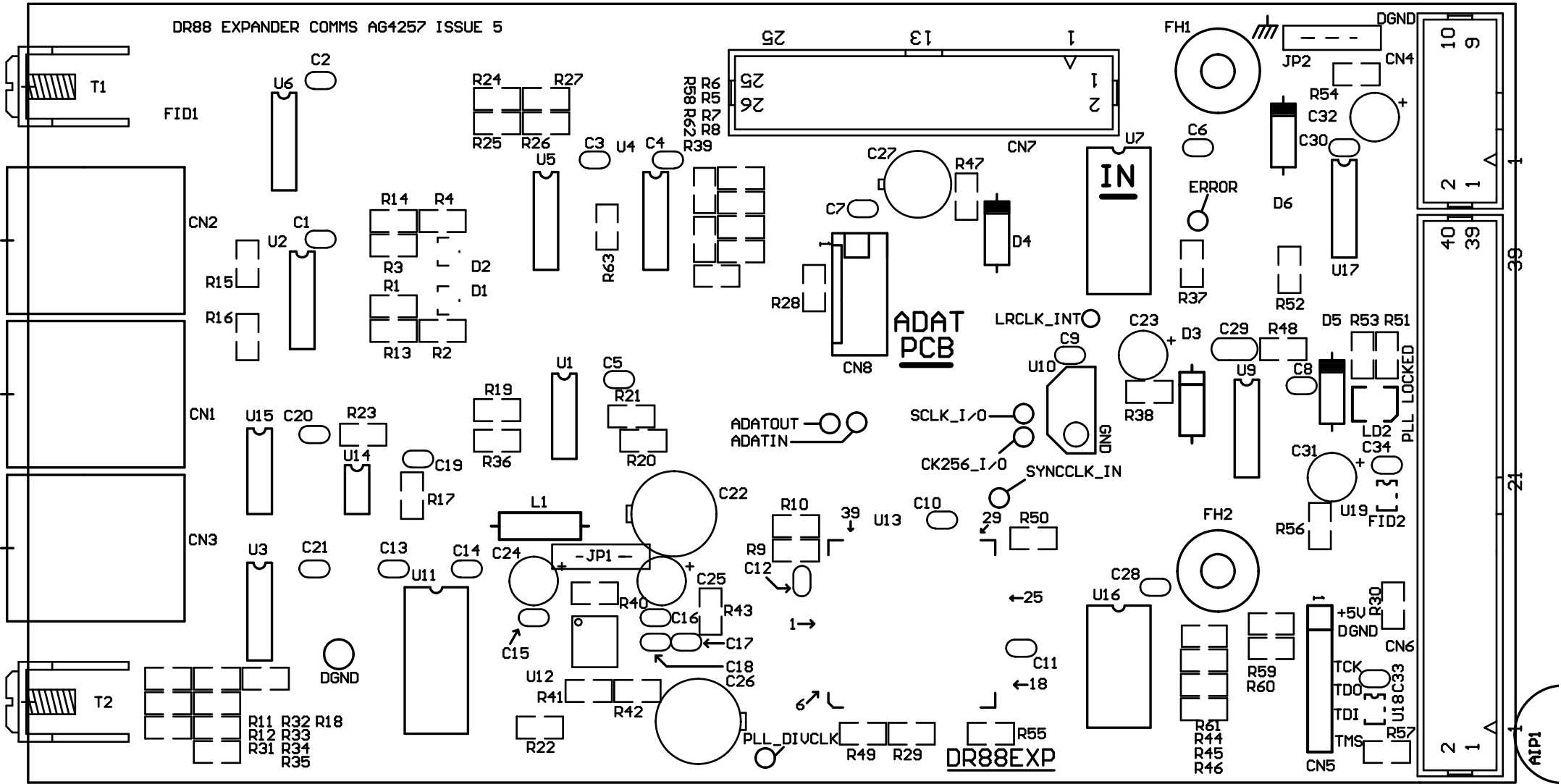


DR88 EXPANDER COMMS AG4257 ISSUE 5



FID1

CN2

R15

R16

CN1

CN3

R11 R32 R18  
R12 R33  
R31 R34 R35

R24 R27  
R25 R26

R14 R4  
R3 R1 D2  
R13 R2 D1

R19  
R36

L1  
C24

R41 R42  
R22

R58 R62  
R56 R55 R7 R8  
R39

ADATOUT  
ADATIN

PLL\_DIVCLK

ADAT  
PCB

SCLK\_I/O

CK256\_I/O

SYNCLK\_IN

DR88EXP

R50

R9 R10  
C12

C11

R55

R49 R29

IN

LRCLK\_INT  
U10  
U19

C28

U16

FH1

ERROR

FH2

DGND  
JP2  
CN4

R54  
C32  
C30

D6  
R52  
U17

D3  
C29  
R48  
D5 R53 R51

C31  
U19  
FID2

+5V  
DGND  
TCK  
TDO  
TDI  
TMS

U18C33  
R57

CN5

10  
9

2  
1

40  
39

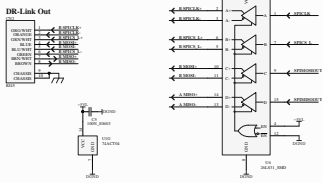
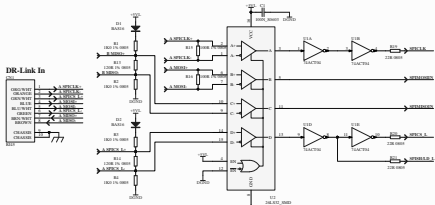
2  
1

ATP1

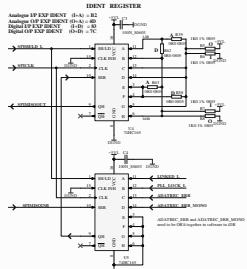
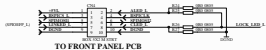


ERROR: undefined  
OFFENDING COMMAND:

STACK:



This PCB is used in 4 assays  
 Parts marked I are fitted on Input Expanders only  
 Parts marked A are fitted on Output Expanders only  
 Parts marked O are fitted on Analogue Expanders only  
 Parts marked D are fitted on Digital Expanders only  
 Parts marked with multiple characters eg A & O are fitted on the expanders which match the code only, eg Analogue Output Expander or because it is BOTH Analogue (A) and (S) an Output (O) expander.  
 These characters are in Part Field 1 and hence can be included in BOM generation



**ALLEN & HEATH**  
 ANALOGUE COMMUNICATIONS  
 PLYMOUTH, CORNWALL  
 ENGLAND TR9 5LJ

REV	DATE	BY	CHKD
1	10/01/93	AL	AL
2	10/01/93	AL	AL
3	10/01/93	AL	AL
4	10/01/93	AL	AL
5	10/01/93	AL	AL
6	10/01/93	AL	AL
7	10/01/93	AL	AL
8	10/01/93	AL	AL

FILE: DR88EXPANDED\_APT\_020888\_0P1.DWG

All parts to be BOMs Compliant

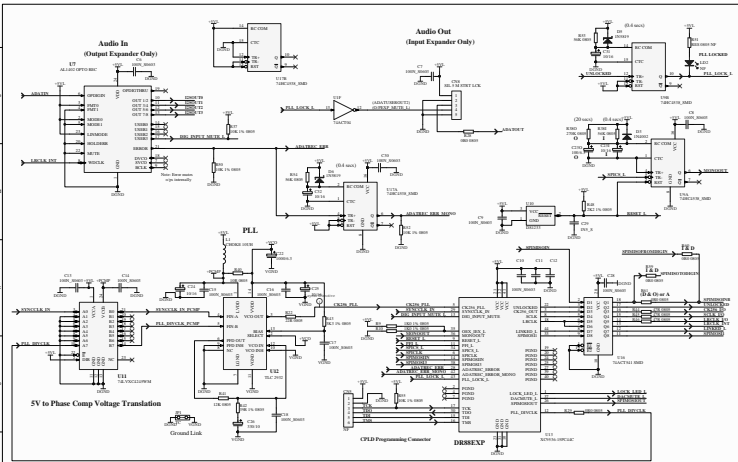
TITLE: DR88 EXPANDER COMMS

PAGE:

DRG No: AG4257 ISSUE: 5 SHEET: 2 OF 4

PRODUCTION

DRG No: AG4257 ISSUE: 5 SHEET: 2 OF 4



**ALLEN & HEATH**  
 ALLEN & HEATH COMMUNICATIONS  
 PLYMOUTH, CONNECTICUT  
 ENGLAND TR90 5110  
 Tel: +44 (0)1552 372030  
 Fax: +44 (0)1552 371153

REV	BY	DATE	APP
1	TC	02/02	
2	TC	02/02	
3	TC	02/02	
4	TC	02/02	
5	TC	02/02	
6	TC	02/02	
7	TC	02/02	
8	TC	02/02	

FILE: DR88EXP.CAD FILE: DR88EXP.ASD FILE: DR88EXP.SCH

All parts to be Bufiled Completely

TITLE: DR88 EXPANDER COMMS

PAGE:

PRINTED: 11/06/02 10:50:00

DRG No: AG4257 ISSUE: 5 SHEET: 3 of 4

