

BALANCE OUTPUT DEVICE. SEE PAGE 2 FOR FITTING INSTRUCTION

ALLEN&HEATH
 Kernick Industrial Estate,
 Penryn, Cornwall,
 England. TR10 9LU
 Tel: +44 (0)8707 556250
 Fax: +44 (0)8707 556251

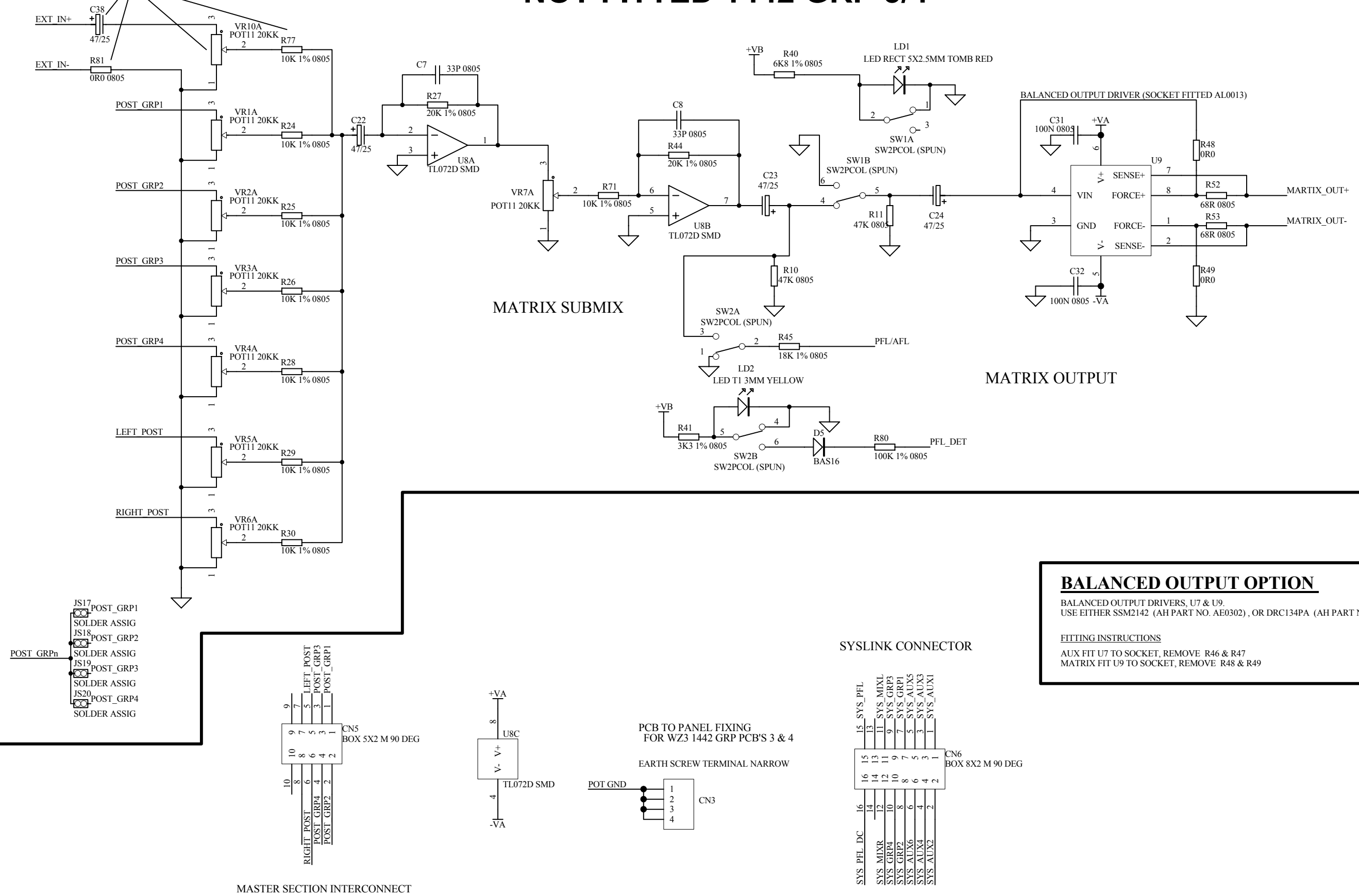
ISSUE	BY	DATE	CHK BY
A	MG	7-7-03	
B	JB	7-11-03	
1	AAT	03-02-04	KV

FILE: AG5396_1P1.Sch	PRINTED: 10:41:18 24-Aug-2004
----------------------	-------------------------------

TITLE: WZ ³ 14:4:2 GROUP
PAGE:
DRG No: 5396 ISSUE: 1 SHEET: 1 OF 2

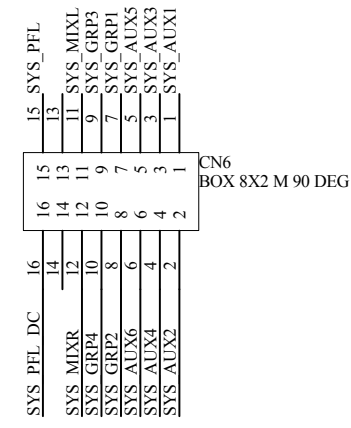
NOT FITTED 1442 GRP 3/4

Only Fitted to GL2400

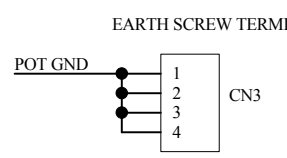


BALANCED OUTPUT OPTION
 BALANCED OUTPUT DRIVERS, U7 & U9.
 USE EITHER SSM2142 (AH PART NO. AE0302), OR DRC134PA (AH PART NO. AE5725).
FITTING INSTRUCTIONS
 AUX FIT U7 TO SOCKET, REMOVE R46 & R47
 MATRIX FIT U9 TO SOCKET, REMOVE R48 & R49

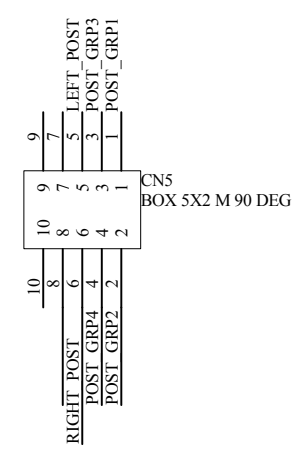
SYSLINK CONNECTOR



PCB TO PANEL FIXING FOR WZ3 1442 GRP PCB'S 3 & 4



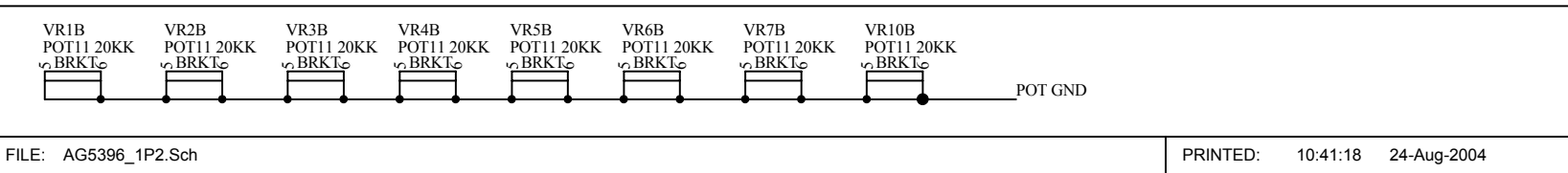
MASTER SECTION INTERCONNECT



ALLEN&HEATH

Kernick Industrial Estate,
 Penryn, Cornwall,
 England. TR10 9LU
 Tel: +44 (0)8707 556250
 Fax: +44 (0)8707 556251

ISSUE	BY	DATE	CHK BY
A	MG	7-7-03	
B	JB	7-11-03	
1	AAT	03-02-04	KV



TITLE:	WZ ³ 14:4:2 GROUP		
PAGE:			
DRG No:	5396	ISSUE:	1
		SHEET:	2 OF 2

