

BALANCED OUTPUT OPTION
 BALANCED OUTPUT DRIVERS, U7, U8, U9, U10, U11 & U12.
 USE EITHER SSM2142 (AH PART NO. AE0302), OR DRC134PA (AH PART NO. AE5725).

FITTING INSTRUCTIONS
 AUX 1 FIT U7 TO SOCKET, REMOVE R19 & R20.
 AUX 2 FIT U8 TO SOCKET, REMOVE R24 & R25.
 AUX 3 FIT U9 TO SOCKET, REMOVE R23 & R28.
 AUX 4 FIT U10 TO SOCKET, REMOVE R29 & R30.
 AUX 5 FIT U11 TO SOCKET, REMOVE R21 & R22.
 AUX 6 FIT U12 TO SOCKET, REMOVE R26 & R27.

TO/FROM EFFECTS PCB

BANK SW	20	20	19	19	MODE_SW
-VA	18	18	17	17	MIDI-
+VA	16	16	15	15	MIDI+
	14	14	13	13	SYS_PFL
FROM FX R	12	12	11	11	FROM_FX_L
AUX6 POST	10	10	9	9	AUX5_POST
AUX4 POST	8	8	7	7	AUX3_POST
AUX2 POST	6	6	5	5	AUX1_POST
AUX6 SUM	4	4	3	3	AUX5_SUM
ST1 TO MONL	2	2	1	1	ST1_TO_MONR

CN1
BOX 10X2 M 90 DEG

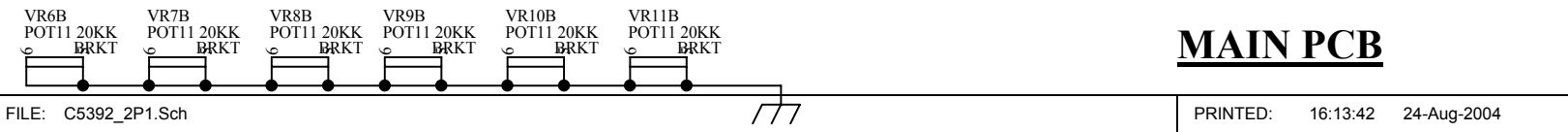
TO & FROM CONNECTOR PCB

MIDI-	26	26	25	25	MIDI+
AUX OUT 6-	24	24	23	23	AUX_OUT_6+
AUX OUT 5-	22	22	21	21	AUX_OUT_5+
AUX OUT 4-	20	20	19	19	AUX_OUT_4+
AUX OUT 3-	18	18	17	17	AUX_OUT_3+
AUX OUT 2-	16	16	15	15	AUX_OUT_2+
AUX OUT 1-	14	14	13	13	AUX_OUT_1+
ST1 IN R-	12	12	11	11	ST1_IN_R+
ST1 IN L-	10	10	9	9	ST1_IN_L+
AUX6 SUM	8	8	7	7	AUX5_SUM
SYS_AUX 4	6	6	5	5	SYS_AUX_3
SYS_AUX 2	4	4	3	3	SYS_AUX_1
FOOTSWITCH	2	2	1	1	SYS_PFL

CN2
BOX 13X2 M 90 DEG

ALLEN&HEATH
 Kernick Industrial Estate,
 Penryn, Cornwall,
 England. TR10 9LU
 Tel: +44 (0)8707 556250
 Fax: +44 (0)8707 556251

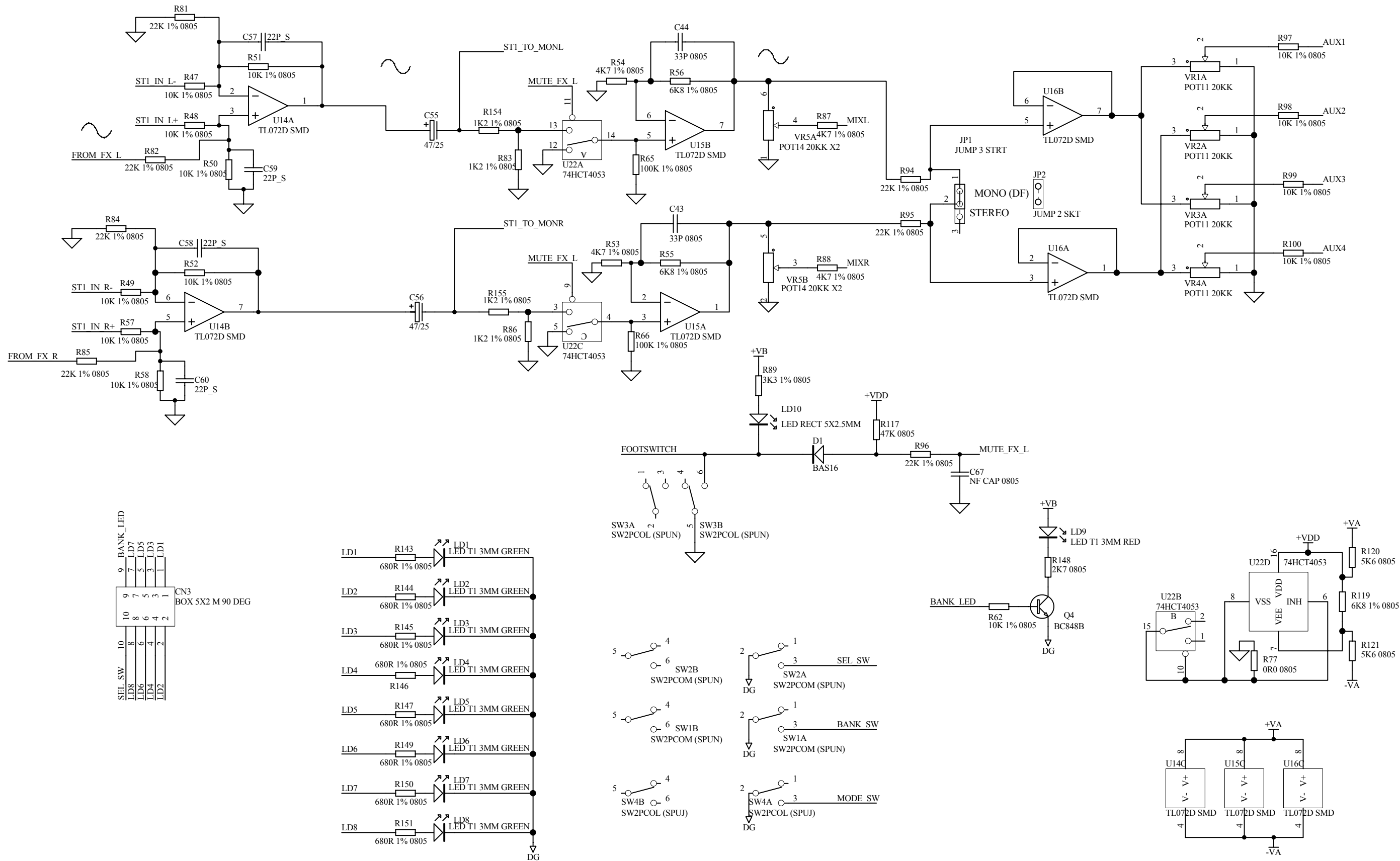
ISSUE	BY	DATE	CHK BY
1	MG	20-1-04	
1	AAT	03-02-04	KV



MAIN PCB

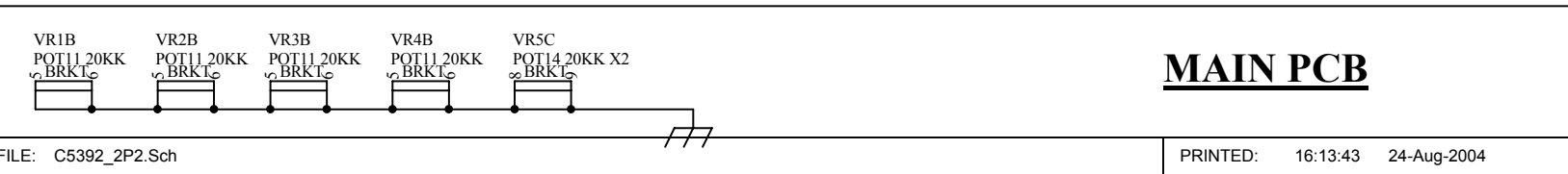
TITLE: **WZ³16:2 & 12:2 AUX MASTER**
 PAGE:

DRG No: 5392 ISSUE: 2 SHEET: 1 OF 2



ALLEN&HEATH
 Kernick Industrial Estate,
 Penryn, Cornwall,
 England. TR10 9LU
 Tel: +44 (0)8707 556250
 Fax: +44 (0)8707 556251

ISSUE	BY	DATE	CHK BY
1	MG AAT	20-1-04 03-02-04	KV



TITLE: WZ³16:2 & 12:2 AUX MASTER
PAGE:
DRG No: 5392 ISSUE: 2 SHEET: 2 OF 2

