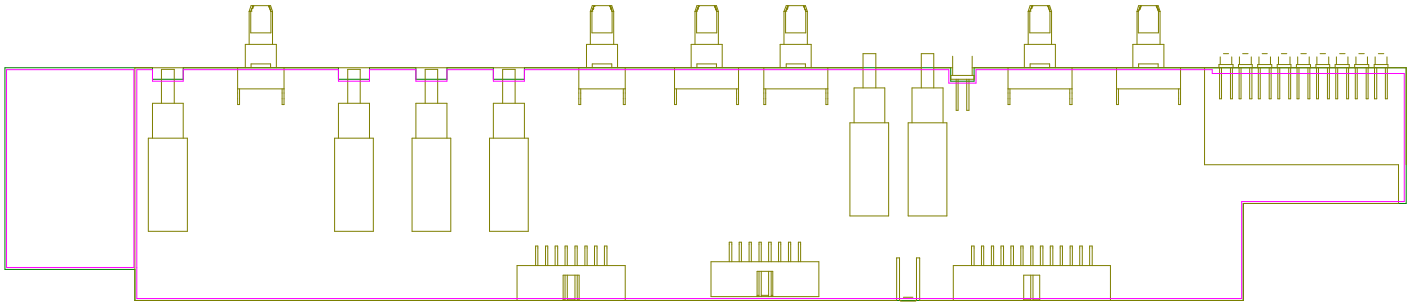
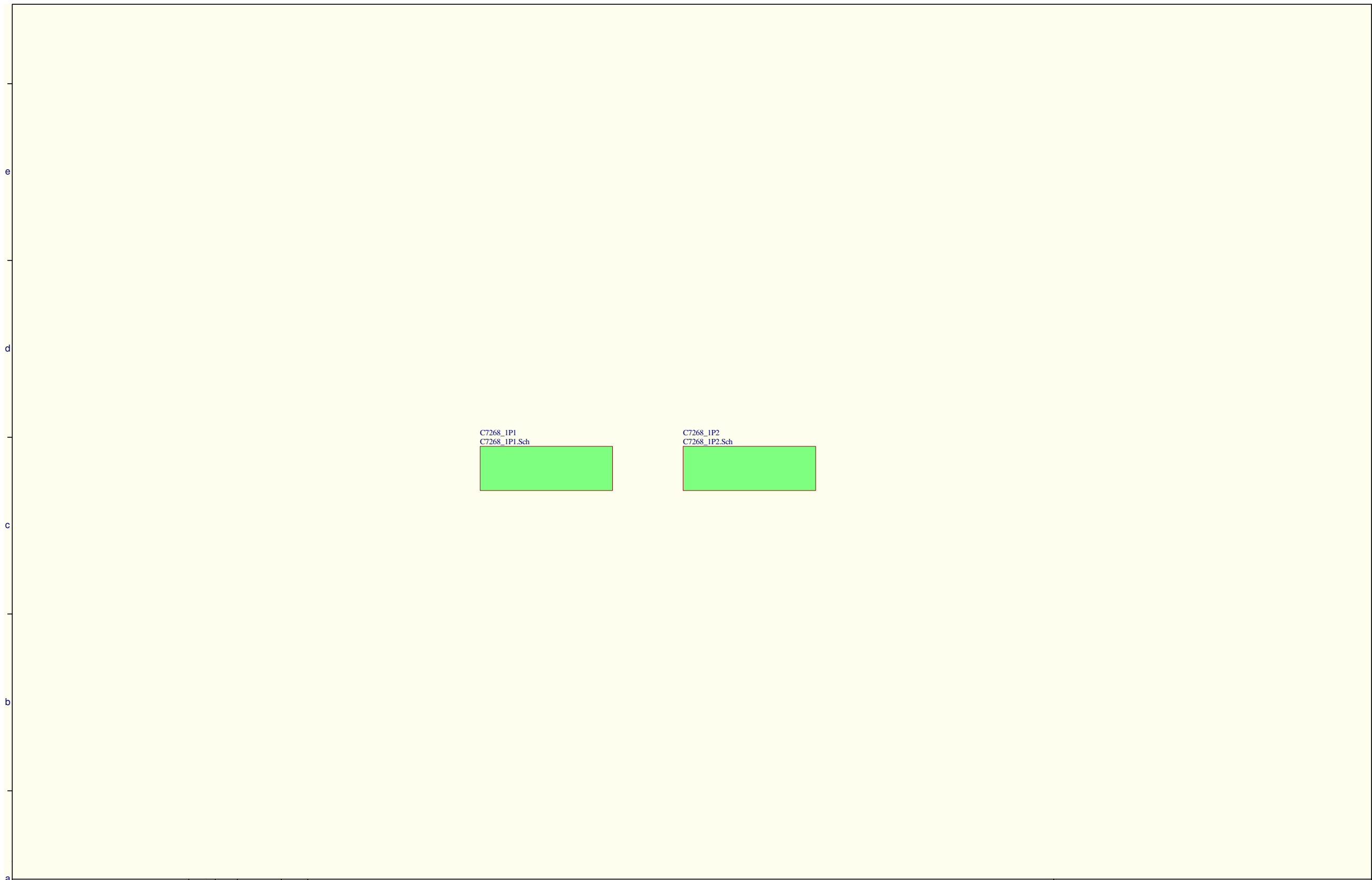


AG7268 ISSUE 1 XONE 4D MASTER

<b>ALLEN &amp; HEATH Limited</b> Andy Roby-Jones PHONE: 01328 370119		Allen & Heath Limited Perrys Industrial Estate, Cornhill, TROU BULL UK TEL: +44 (0)1328 370000 FAX: +44 (0)1328 370001 WWW: <a href="http://www.aheh.com">http://www.aheh.com</a>		<b>REVISION HISTORY</b> <table border="1"> <thead> <tr> <th>SCALE</th> <th>BY</th> <th>DATE</th> <th>TOP</th> </tr> </thead> <tbody> <tr> <td>1</td> <td>77</td> <td>23-06-2008</td> <td>001</td> </tr> </tbody> </table>		SCALE	BY	DATE	TOP	1	77	23-06-2008	001	OVERALL PANEL SIZE: 361.5 x 260 mm MATERIAL: 1/16" FR4 (UL 94V-0) 1oz Cu. DSP1H FINISH: ENIG CM IF HAS/SILVER		<b>NOTES:</b> ( ) ROUT MOUNT AREAS AS SHOWN SCORE LINE → SCORE WHERE INDICATED	
SCALE	BY	DATE	TOP														
1	77	23-06-2008	001														
TITLE: XONE 4D MASTER PART NO: AG7268 REV: 1 DATE: 23-Jun-2008 FILE NAME: AG7268_1.PCB		LAYER: MEGAFLOW/WEAR/AMBIUS/WING ORDER: GMT/0		<b>PCB LAYERS: DESCRIPTION:</b> LAYER 01 TOP COPPER: AG7268_1_01L LAYER 02 BOTTOM COPPER: AG7268_1_02B LAYER 03 TOP SOLDER RESIST: AG7268_1_03S LAYER 04 BOTTOM SOLDER RESIST: AG7268_1_04B LAYER 05 TOP OVERLATE: AG7268_1_05O DRILL DRAWING: AG7268_1_06D MOD FILE: AG7268_1_07M TOP PASTE MASKS: AG7268_1_08P		<b>GERBER FILES:</b> AG7268_1_01L AG7268_1_02B AG7268_1_03S AG7268_1_04B AG7268_1_05O AG7268_1_06D AG7268_1_07M AG7268_1_08P		MANUFACTURER TO PUT IDENT AND BATCH CODE FOR TRACEABILITY									



<b>ALLEN &amp; HEATH Limited</b> 1000000 1000000 PHONE: 01328 370119		Allen & Heath Limited Harrold Industrial Estate, Perryville, Corning, TRO 8LU UK TEL: +44 (0)1328 356639 FAX: +44 (0)1328 356639 WWW: <a href="http://www.aheh-heath.com">http://www.aheh-heath.com</a>		<b>REVISION HISTORY</b> <table border="1"> <thead> <tr> <th>ISSUE</th> <th>BY</th> <th>DATE</th> <th>TOP</th> <th>BOT</th> </tr> </thead> <tbody> <tr> <td>1</td> <td></td> <td>23-JUN-2008</td> <td>000</td> <td>000</td> </tr> <tr> <td>2</td> <td></td> <td>23-JUN-2008</td> <td>000</td> <td>000</td> </tr> </tbody> </table>		ISSUE	BY	DATE	TOP	BOT	1		23-JUN-2008	000	000	2		23-JUN-2008	000	000	OVERALL PANEL SIZE: 361.5 x 260 mm MATERIAL: 1/16" FR4 (UL 94V-0) 1oz Cu. DSP1H FINISH: UK LF HASL CM LF HASL/SILVER		<b>NOTES:</b> <input type="checkbox"/> DRILL HOLE AREAS AS SHOWN SCORE LINE → SCORE WHERE INDICATED MANUFACTURER TO PUT IDENT AND BATCH CODE FOR TRACEABILITY	
ISSUE	BY	DATE	TOP	BOT																				
1		23-JUN-2008	000	000																				
2		23-JUN-2008	000	000																				
TITLE: XONE 4D MASTER ENGINEER: Xxxxxx Xxxxxx PHONE: 01328 370000		PART NO: AG7268 REV: 1 DATE: 23-Jun-2008		PCB LAYERS: DESCRIPTION: GERBER FILES: LAYER 01 TOP COPPER: AG7268_1_01L LAYER 02 BOTTOM COPPER: AG7268_1_02B LAYER 03 TOP SOLDER RESIST: AG7268_1_03S LAYER 04 BOTTOM SOLDER RESIST: AG7268_1_04SB LAYER 05 TOP OVERLATE: AG7268_1_05O DRILL DRAWING: AG7268_1_02D MOD FILE: AG7268_1_01T TOP PASTE MASKS: AG7268_1_01P																				
FILE NAME: AG7268_1.PCB		LAYER: MECHANICAL MARKING		GERBER: CM10																				



C7268\_1P1  
C7268\_1P1.Sch

C7268\_1P2  
C7268\_1P2.Sch

**ALLEN & HEATH**  
Kernick Industrial Estate,  
Penryn, Cornwall  
England. TR10 9LU  
Tel: +44 (0)8707 556250  
Fax: +44 (0)8707 556251

ISSUE	BY	DATE	CHK BY
A	ARJ	13-02-08	
1	ARJ	24-04-08	

FILE: C7268\_1.Sch

PRINTED: 08:24:51 23-Jun-2008

TITLE: XONE 4D MASTER PCB  
PAGE:

DRG No: C7268 ISSUE: 1 SHEET: 0 OF 2

A

B

C

D

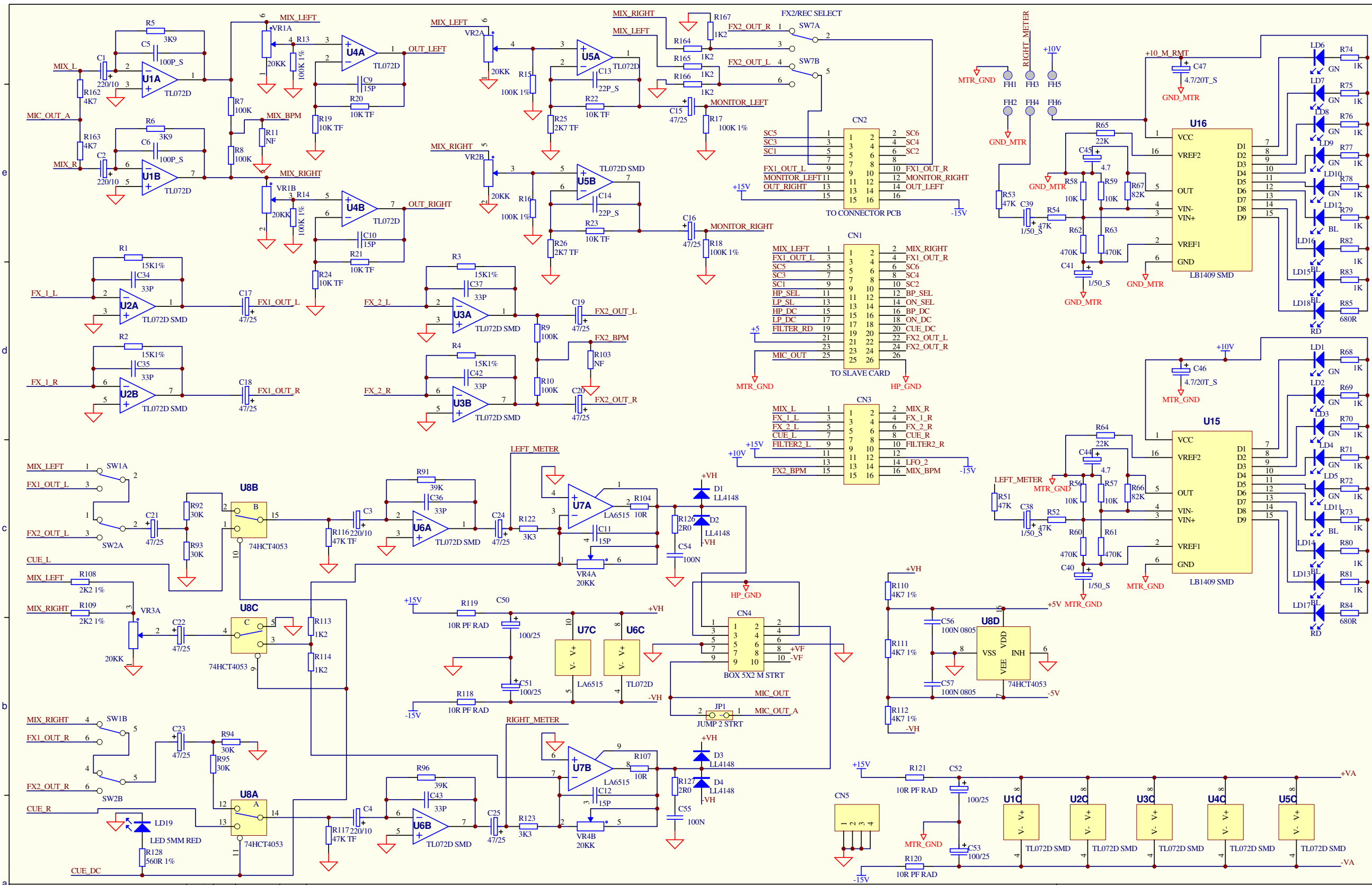
E

F

G

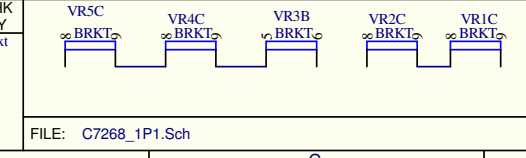
H





**ALLEN & HEATH**  
 Kernick Industrial Estate,  
 Penryn, Cornwall  
 England. TR10 9LU  
 Tel: +44 (0)8707 556250  
 Fax: +44 (0)8707 556251

ISSUE	BY	DATE	CHK BY
A	ARJ	13-02-08	Text
1	ARJ	24-04-08	

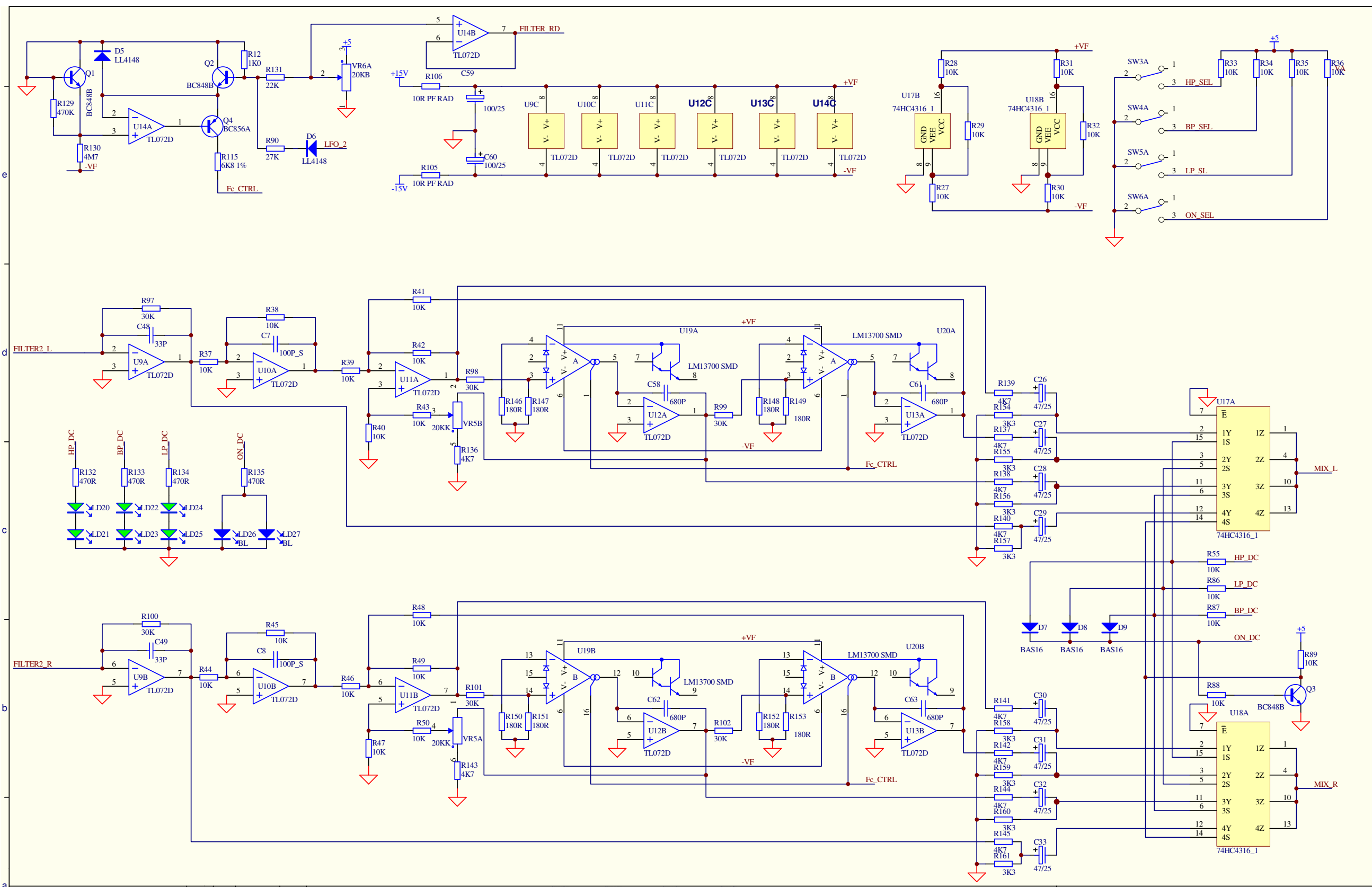


FILE: C7268\_1P1.Sch

PRINTED: 08:24:51 23-Jun-2008

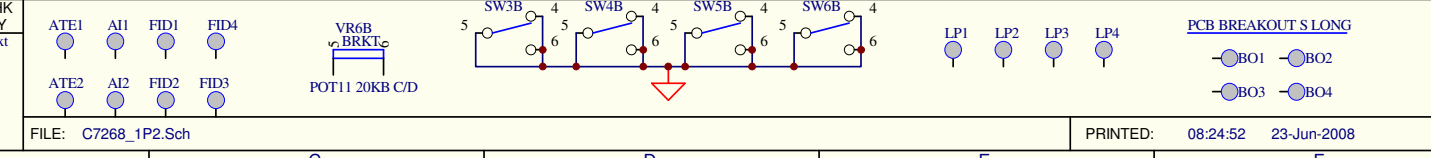
TITLE: **XONE 4D MASTER PCB**  
 PAGE:  
 DRG No: C7268 ISSUE: 1 SHEET: 1 OF 2

A B C D E F G H



**ALLEN & HEATH**  
 Kernick Industrial Estate,  
 Penryn, Cornwall  
 England. TR10 9LU  
 Tel: +44 (0)8707 556250  
 Fax: +44 (0)8707 556251

ISSUE	BY	DATE	CHK BY
A	ARJ	13-02-08	Text
1	ARJ	24-04-08	



TITLE: **XONE 4D MASTER PCB**  
 PAGE:  
 DRG No: **C7268** ISSUE: **1** SHEET: **2 OF 2**  
 PRINTED: 08:24:52 23-Jun-2008