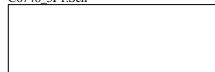
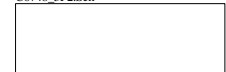


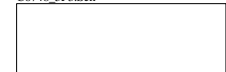
C6748_SP1
C6748_SP1.Sch



C6748_SP2
C6748_SP2.Sch



C6748_SP3
C6748_SP3.Sch



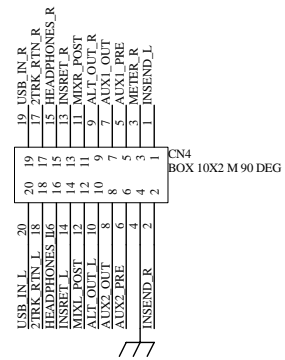
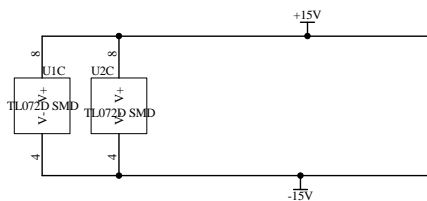
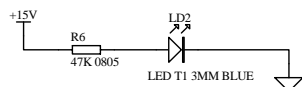
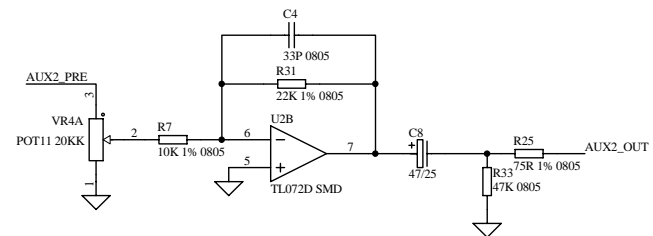
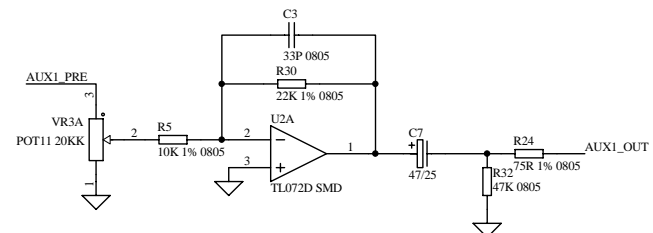
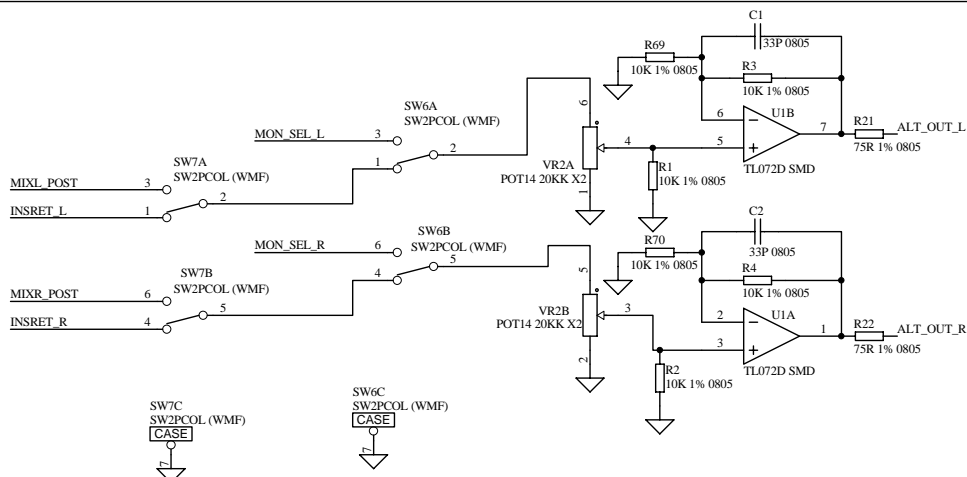
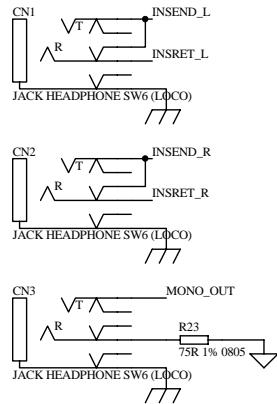
ALLEN&HEATH
Kernick Industrial Estate,
Penryn, Cornwall,
England. TR10 9LU
Tel: +44 (0)1326 372070
Fax: +44 (0)1326 370153

ISSUE	BY	DATE	CHK BY
1	AAT	07-12-06	
2	AAT	01-02-07	
3	AAT	25-06-07	
4	AAT	29-11-07	
5	AAT	12-12-07	

FILE: C6748_5.Sch		PRINTED: 09:49:09 13-Dec-2007	
-------------------	--	-------------------------------	--

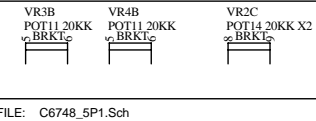
* All parts to be RoHS Compliant *

TITLE: **ZED MASTER**
PAGE:
DRG No: **C6748** ISSUE: **5** SHEET: **0** OF **3**



ALLEN&HEATH
 Kernick Industrial Estate,
 Penryn, Cornwall,
 England. TR10 9LU
 Tel: +44 (0)1326 372070
 Fax: +44 (0)1326 370153

ISSUE	BY	DATE	CHK BY
1	AAT	07-12-06	
2	AAT	01-02-07	
3	AAT	25-06-07	
4	AAT	29-11-07	
5	AAT	12-12-07	

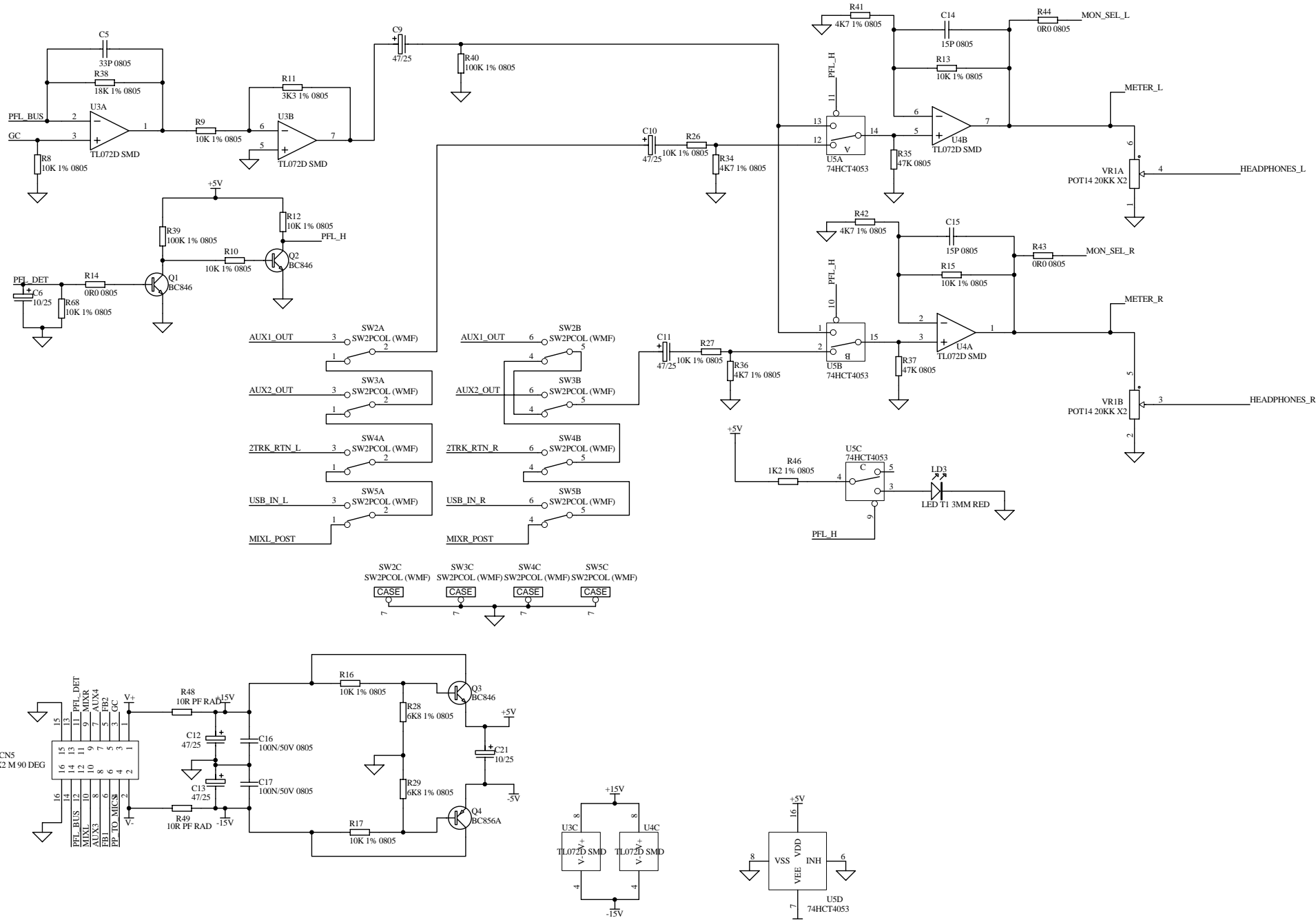


FILE: C6748_5P1.Sch

* All parts to be RoHS Compliant *

PRINTED: 09:49:09 13-Dec-2007

TITLE: ZED MASTER
 PAGE:
 DRG No: C6748 ISSUE: 5 SHEET: 1 OF 3



ALLEN&HEATH
 Kernick Industrial Estate,
 Penryn, Cornwall,
 England. TR10 9LU
 Tel: +44 (0)1326 372070
 Fax: +44 (0)1326 370153

ISSUE	BY	DATE	CHK BY
1	AAT	07-12-06	
2	AAT	01-02-07	
3	AAT	25-06-07	
4	AAT	29-11-07	
5	AAT	12-12-07	

BRKT₂
 VR1C
 POT14 20KK X2

* All parts to be RoHS Compliant *

FILE: C6748_5P2.Sch

PRINTED: 09:49:09 13-Dec-2007

TITLE: ZED MASTER
 PAGE:
 DRG No: C6748 ISSUE: 5 SHEET: 2 OF 3

e

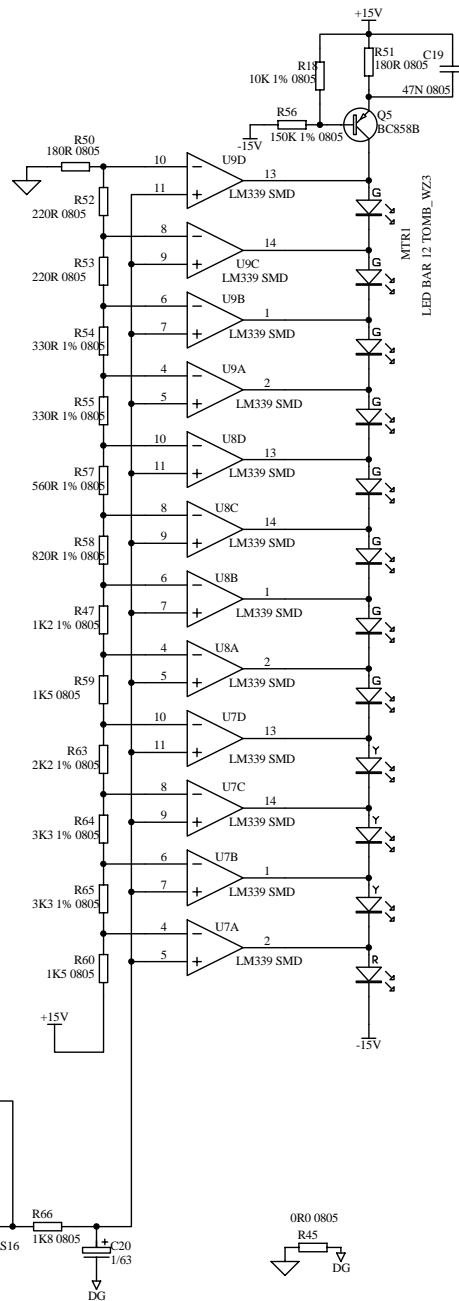
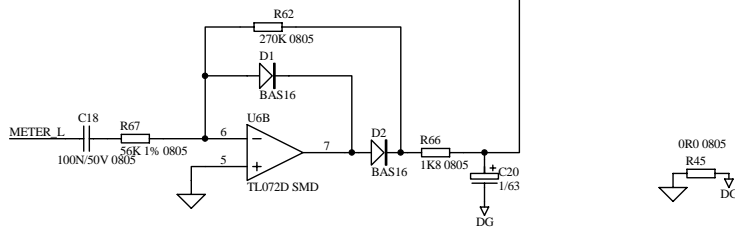
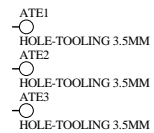
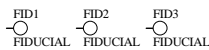
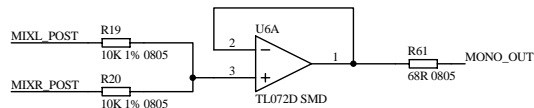
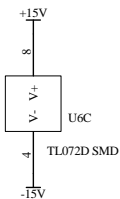
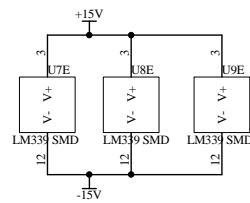
d

c

b

a

A B C D E F G H



ALLEN&HEATH

Kernick Industrial Estate,
Penryn, Cornwall,
England. TR10 9LU
Tel: +44 (0)1326 372070
Fax: +44 (0)1326 370153

ISSUE	BY	DATE	CHK BY
1	AAT	07-12-06	
2	AAT	01-02-07	
3	AAT	25-06-07	
4	AAT	29-11-07	
5	AAT	12-12-07	

FILE: C6748_5P3.Sch

* All parts to be RoHS Compliant *

PRINTED: 09:49:09 13-Dec-2007

TITLE: ZED MASTER

PAGE:

DRG No: C6748 ISSUE: 5 SHEET: 3 OF 3