

3 DSPx Fitting Instructions

Do not use excessive force when fitting the card. If you have difficulty fitting the card check that the orientation is correct. Check that the card is firmly seated into it's socket.

Step 3

Replace the top cover & turn on the DR66. Check that the DR66 boots up correctly.

To verify that the DSPx is fully operational you need to run WinDR. Make sure that WinDR is connected on-line. Click on the Select Resource Palette toolbar icon or select *Select Resource Palette* from the *DR66* menu. The Add Resources dialog box will indicate whether the DR66 has detected the DSPx card by showing *PE3* and *PE4* as empty palettes.



If the DSPx has been correctly recognised you can now use the additional Processing Engines available for additional signal processing as required. Refer to your On-Line documentation for help on assigning Resource Palettes.

Should you experience any difficulties in fitting the DSPx card or have any queries regarding your **DR66** please contact your **Allen & Heath** agent. Include the **DR66** and **DSPx** serial numbers in any correspondence.

ALLEN & HEATH

DR⁶⁶

*DSPX DIGITAL EXPANDER
OPTION*

**FITTING
INSTRUCTIONS**

PUBLICATION AP3163

Introduction

The DR66 DSPx DSP Expander Option provides additional signal processing capabilities to the DR66 by adding two additional Digital Signal Processing Engines to the DR66's signal processing architecture.

Installation is a straightforward process requiring only a Pozi screwdriver to remove the DR66's top cover. However, for trouble free installation & use, please carefully read the instructions below. When the DR66 powers up, it automatically recognises that the DSPx card has been fitted - no link assignments need to be made.

Handling Precautions

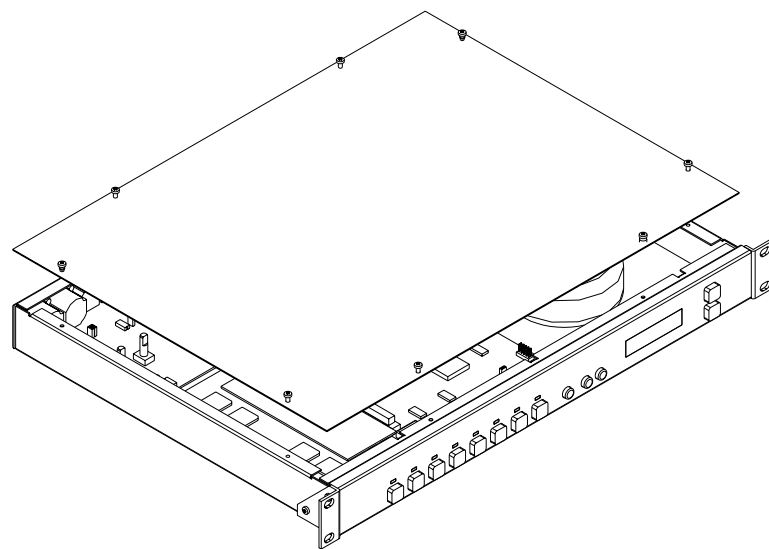
The DSPx card contains sensitive integrated circuits which can be damaged by the static discharge from human-body contact. The DSPx card is packed in an anti-static conductive bag to protect it during shipment. To avoid damaging the static sensitive components on the card be sure to reduce any static electricity on your person. One way to do this is to touch the metal chassis of the DR66. You can maintain grounding by wearing a grounded wrist strap. Only handle the card by its edges.



Procedure

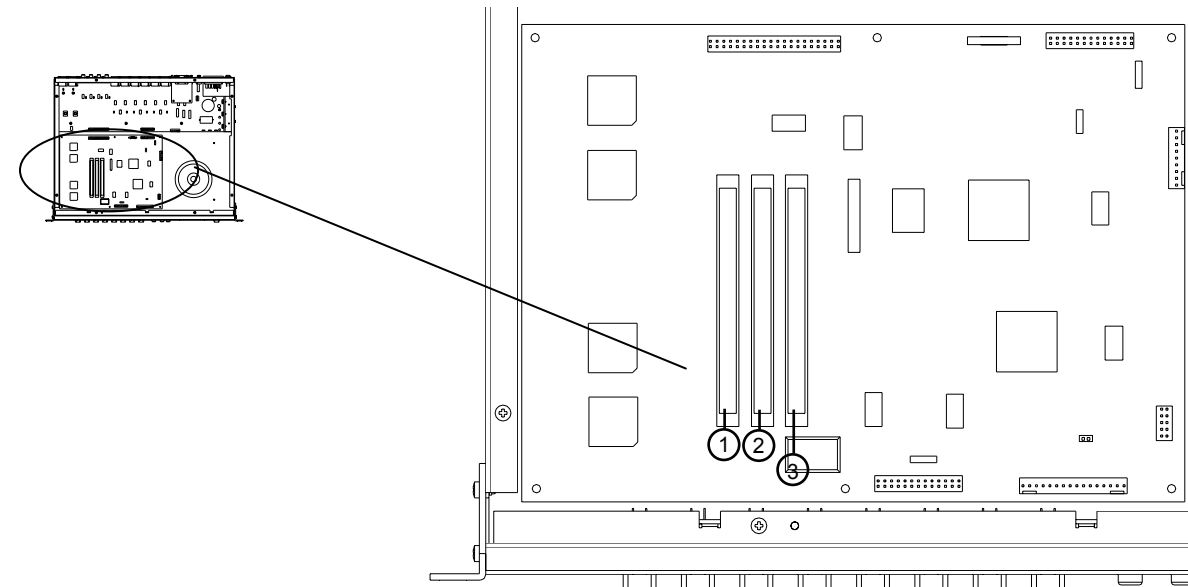
Step 1

Turn off power to DR66 and remove the ac mains input cable from the rear socket. Remove the top cover by removing the 8 fixing screws located as shown below.

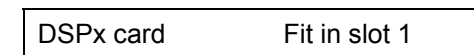


Step 2

The DSPx card can only be fitted into the first of the two expansion slots on the CPU mother board as shown:



It is important that the DSPx card is fitted into slot 1. Do not fit a DSPx card into slot 3. Slot 2 is not fitted on the DR66 CPU mother board.



Carefully remove the DSPx from it's conductive bag observing the static precautions outlined above. Carefully plug the DSPx card into the correct slot. The diagram below shows the correct orientation for the card in the slot.

