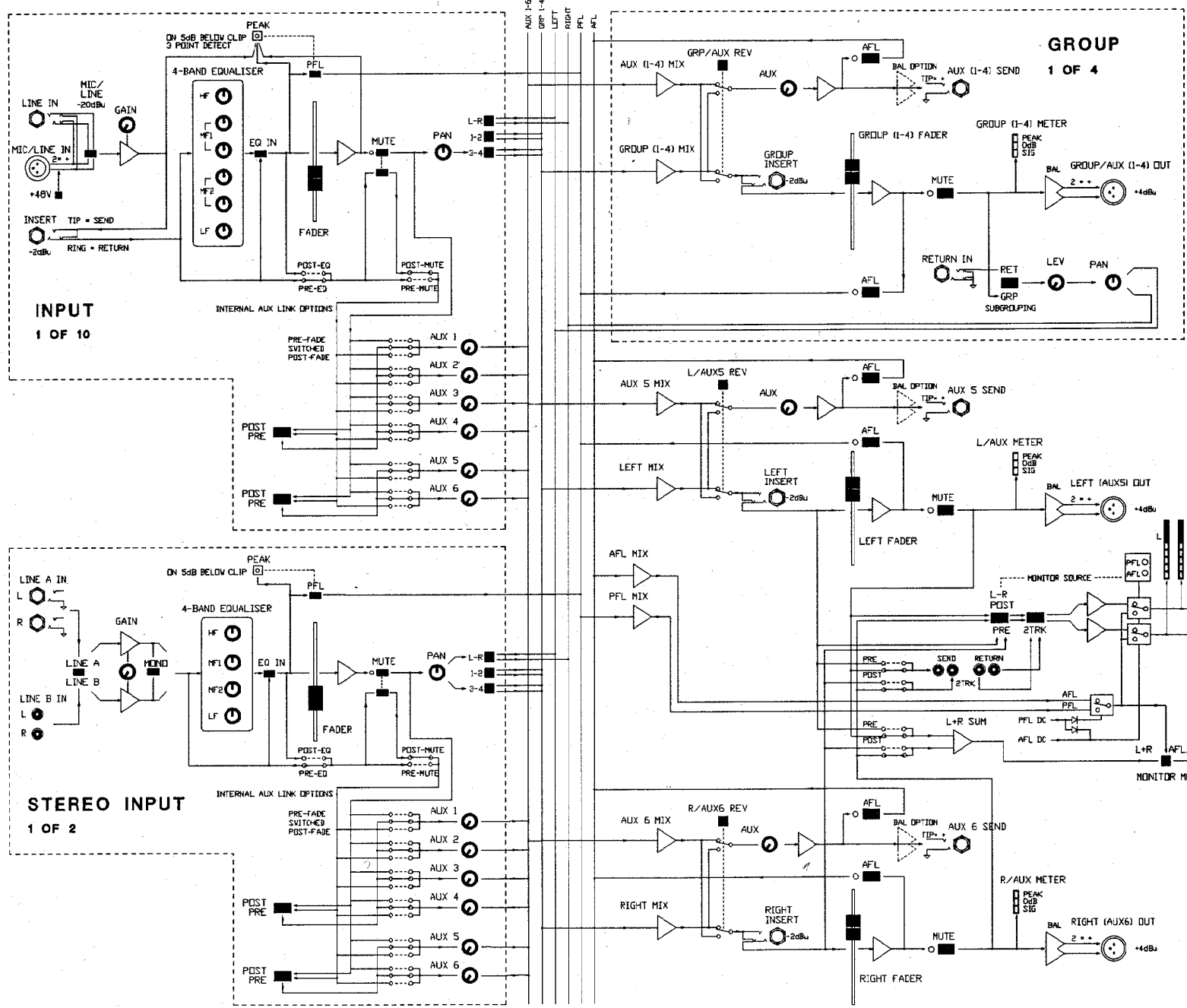


# GL2

## BLOCK DIAGRAM



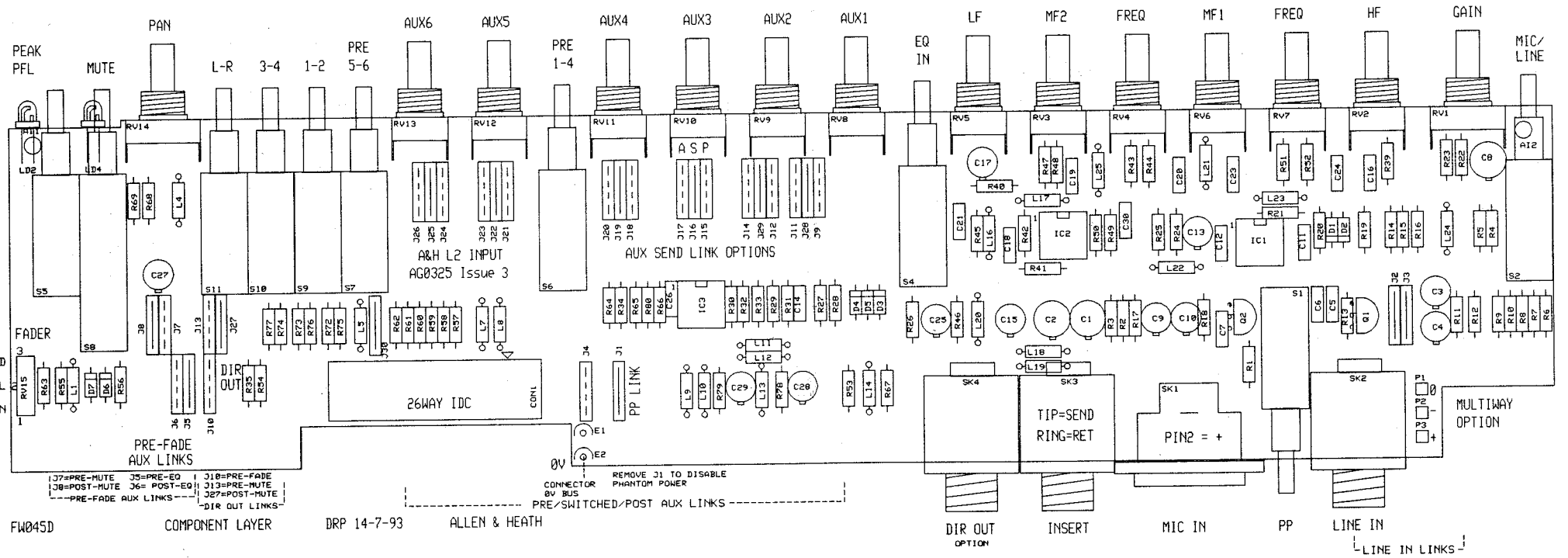
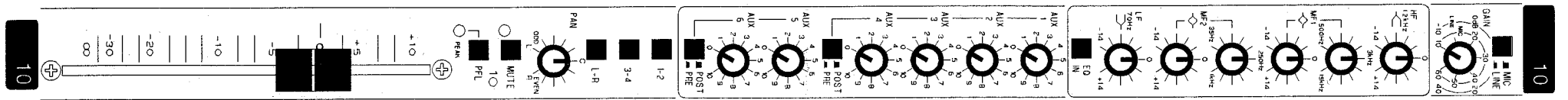
INPUT  
1 OF 10

STEREO INPUT  
1 OF 2

GROUP  
1 OF 4

MASTER

# INPUT CHANNEL



FW045D

COMPONENT LAYER

DRP 14-7-93

ALLEN & HEATH

DIR OUT  
OPTION

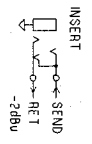
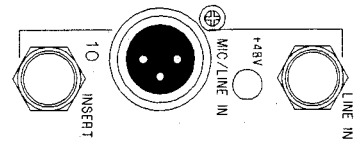
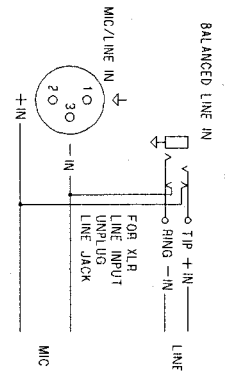
INSERT

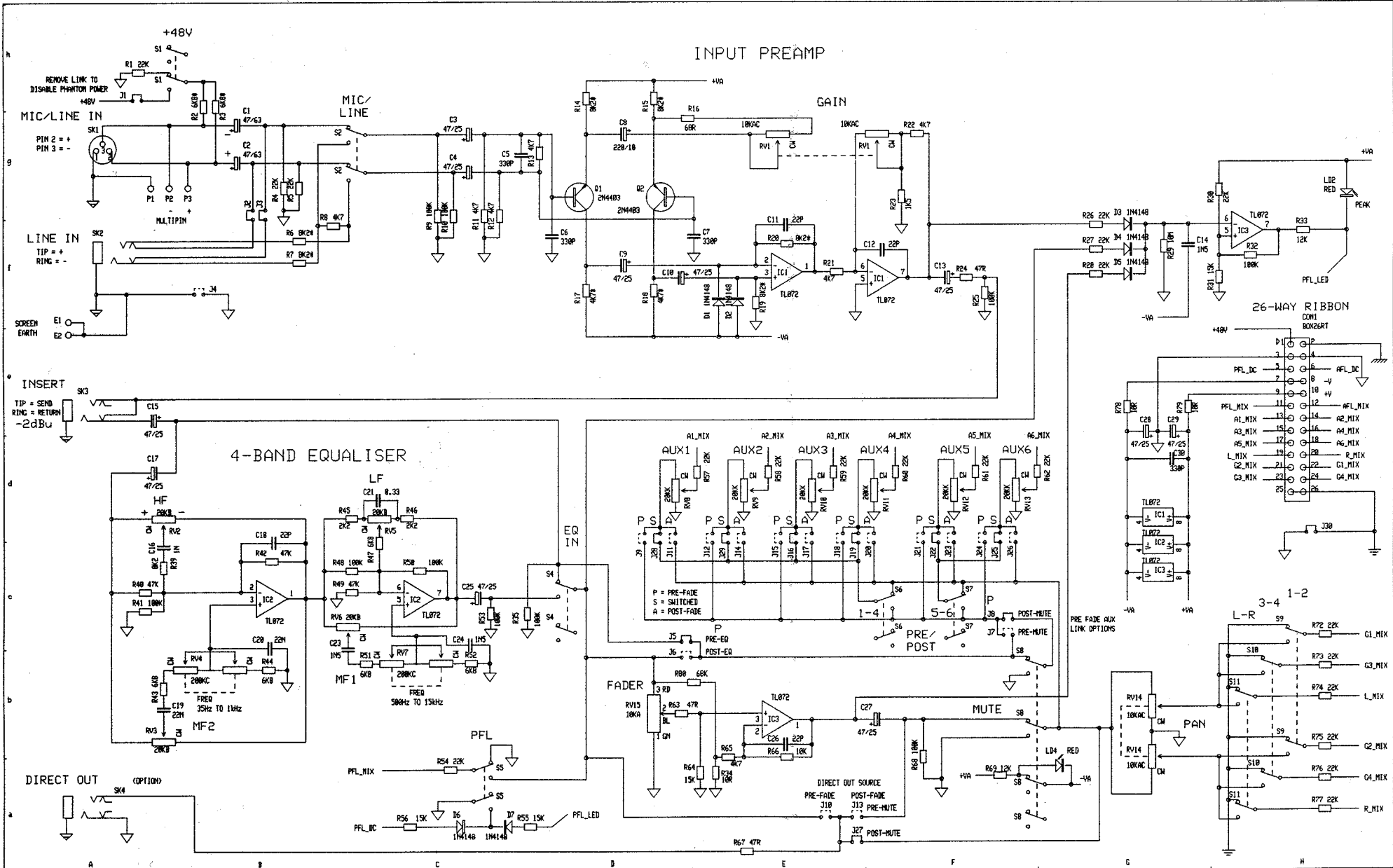
MIC IN

PP

LINE IN

LINE IN LINKS





ISS.	REVISION	BY DATE	NOTES
P1	ORIGIN	CD 12-5-93 DRP 21-7-93	1. RESISTORS MARKED A ARE 1% ALL OTHERS ARE 5% 1/4W UNLESS OTHERWISE MARKED 2. ELECTROLYTIC CAPACITORS ARE μF/VOLTS

UNIT TITLE  
GL2

DRAWING TITLE  
INPUT CIRCUIT DIAGRAM  
PCB TYPE AG0325

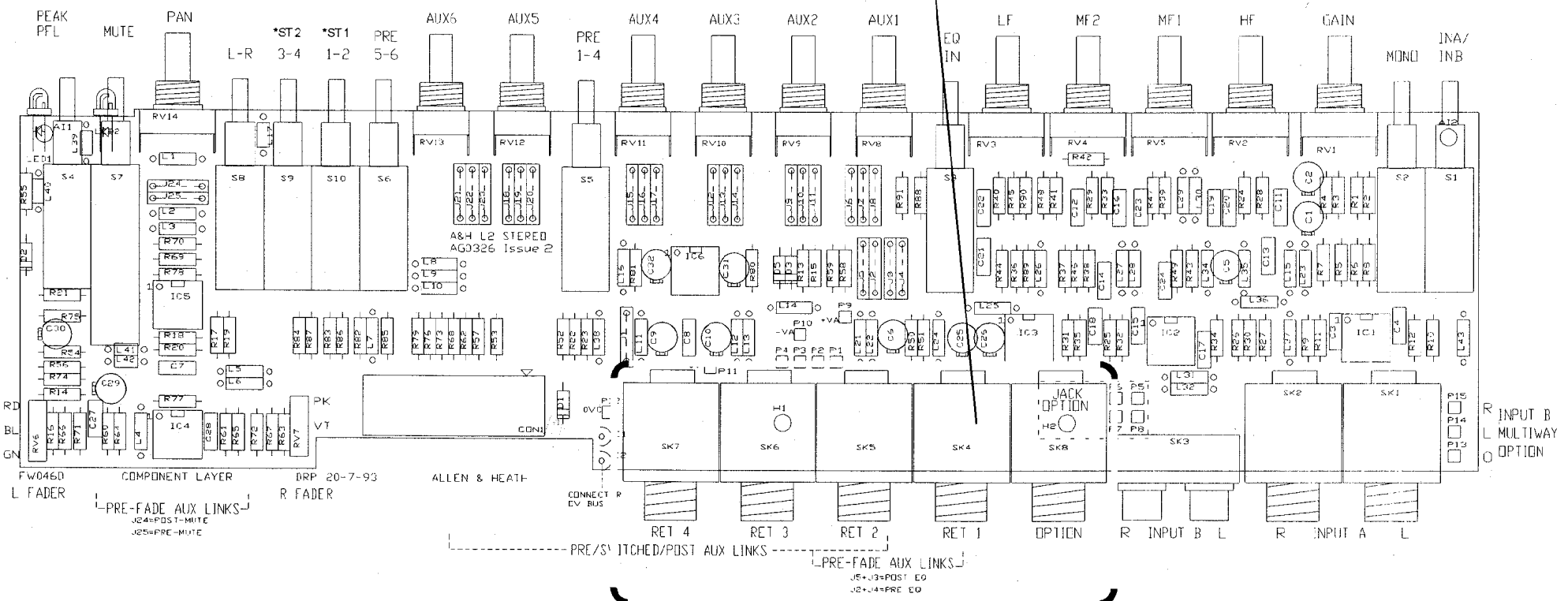
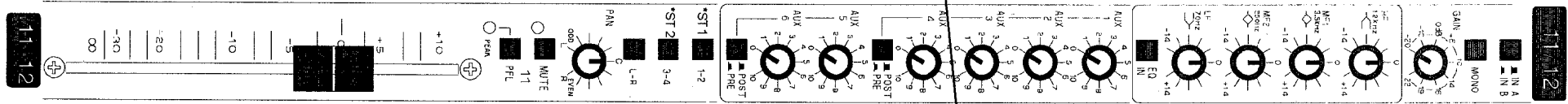
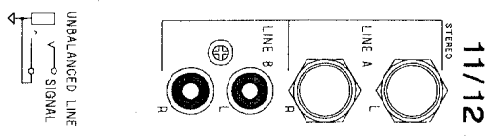
MANUFACTURED IN ENGLAND BY  
ALLEN & HEATH

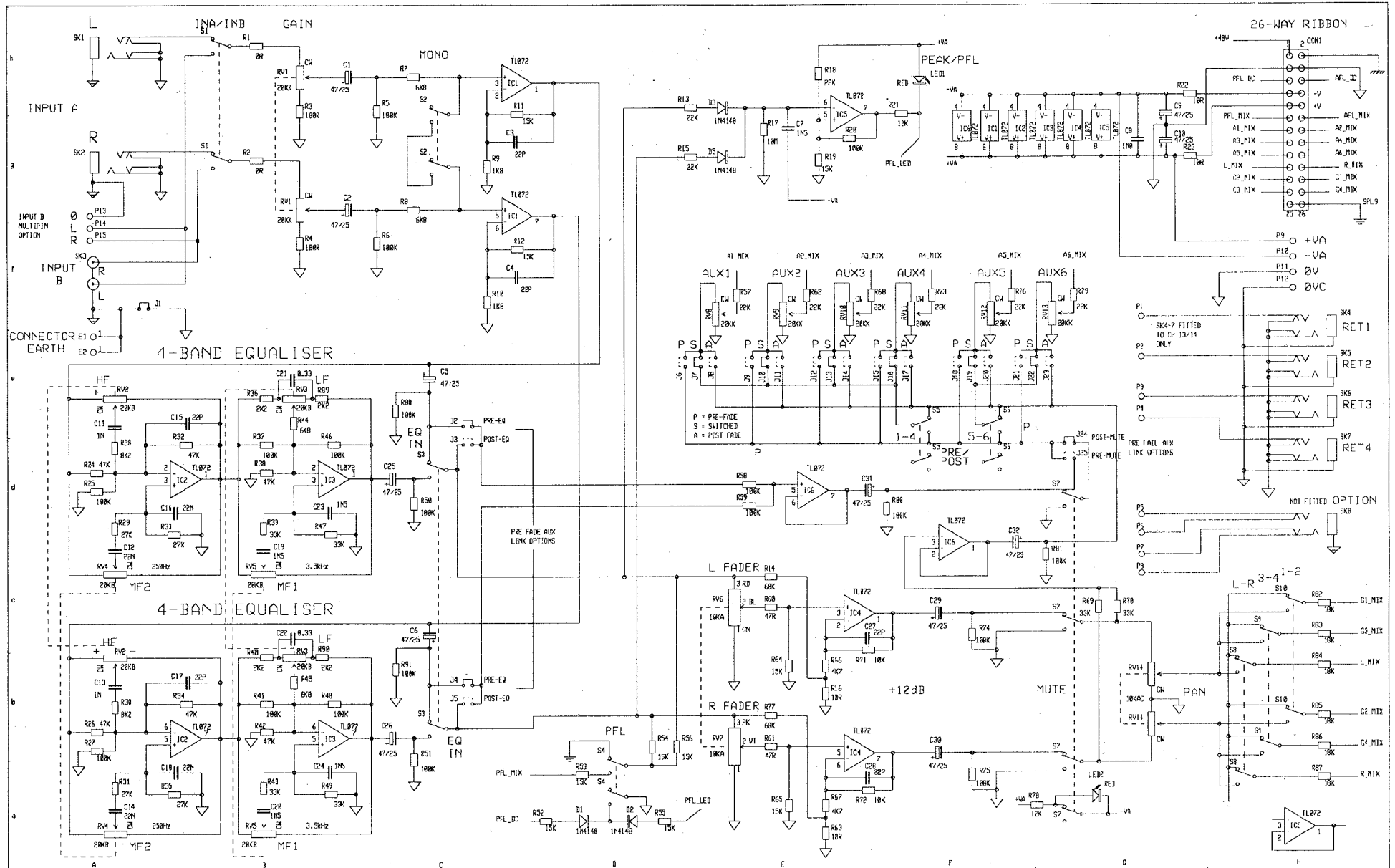
DRAWING No. D222 ISSUE 1

# STEREO CHANNEL

SK4, 5, 6, 7, 8 NOT FITTED ON GL2-S

\* = GL2-S





ISS.	REVISION	BY	DATE	NOTES
P1	ORIGIN	DRP	2-6-93	1. RESISTORS MARKED * ARE 1% ALL OTHERS ARE 5% 1/4W UNLESS OTHERWISE MARKED 2. ELECTROLYTIC CAPACITORS ARE HF-VOLTS
1		DRP	21-7-93	

UNIT TITLE  
GL2

DRAWING TITLE  
STEREO CIRCUIT DIAGRAM  
PCB TYPE AG0326

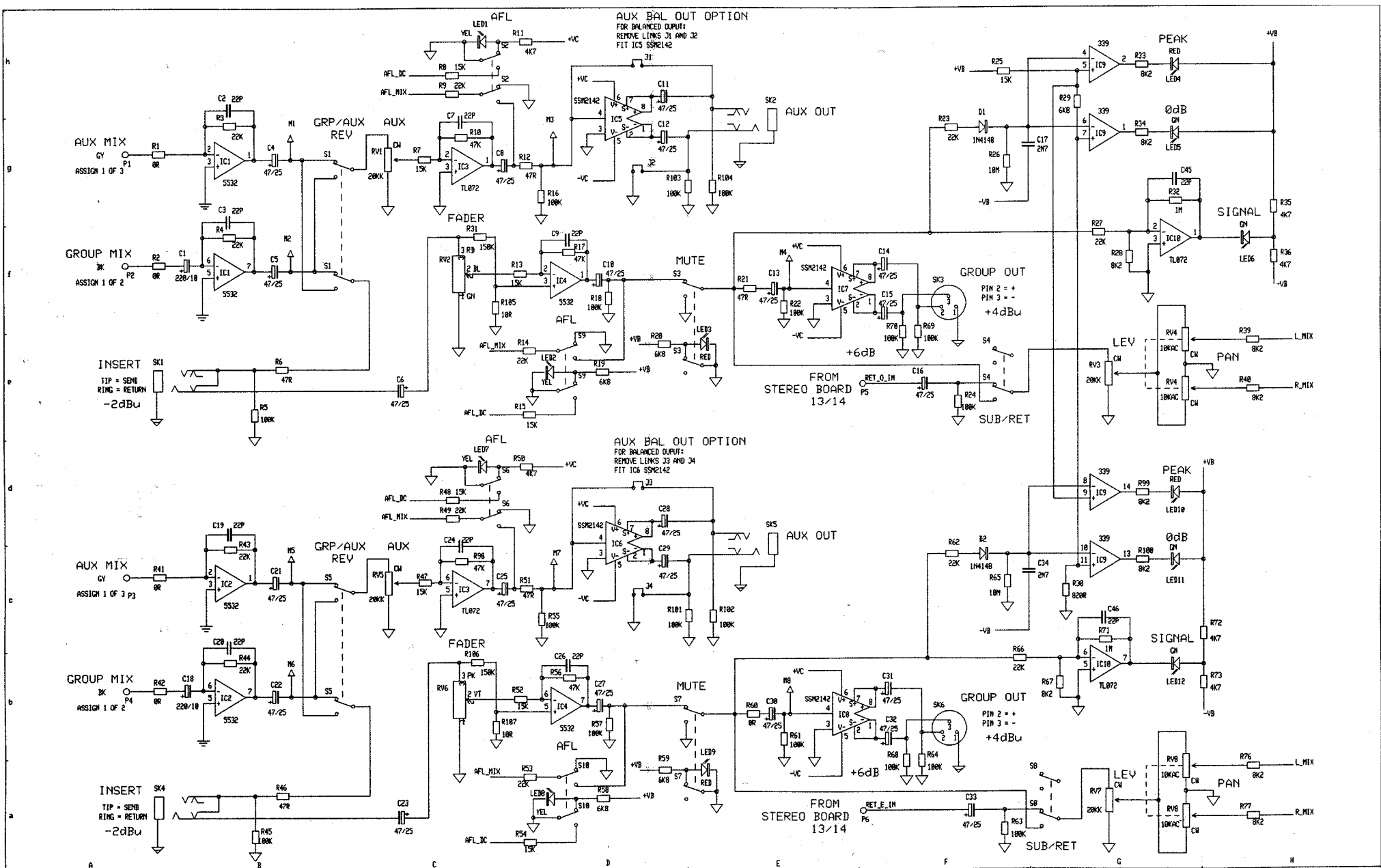
MANUFACTURED IN ENGLAND BY  
ALLEN & HEATH

DRAWING No. D223 ISSUE 1

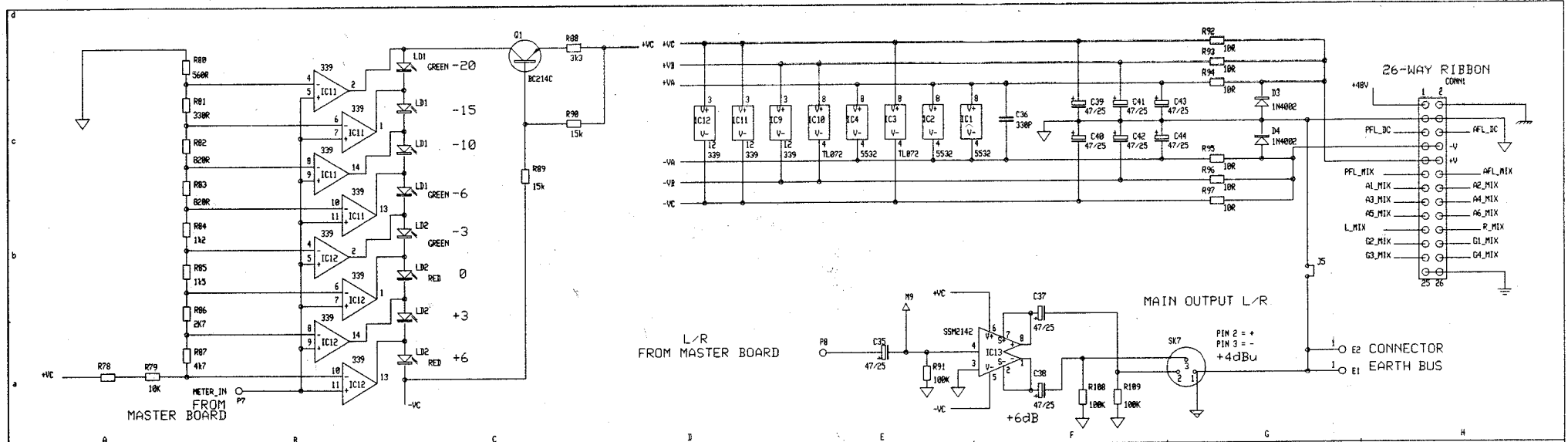
MANUFACTURED IN ENGLAND BY  
ALLEN & HEATH

DRAWING No. D223 ISSUE 1





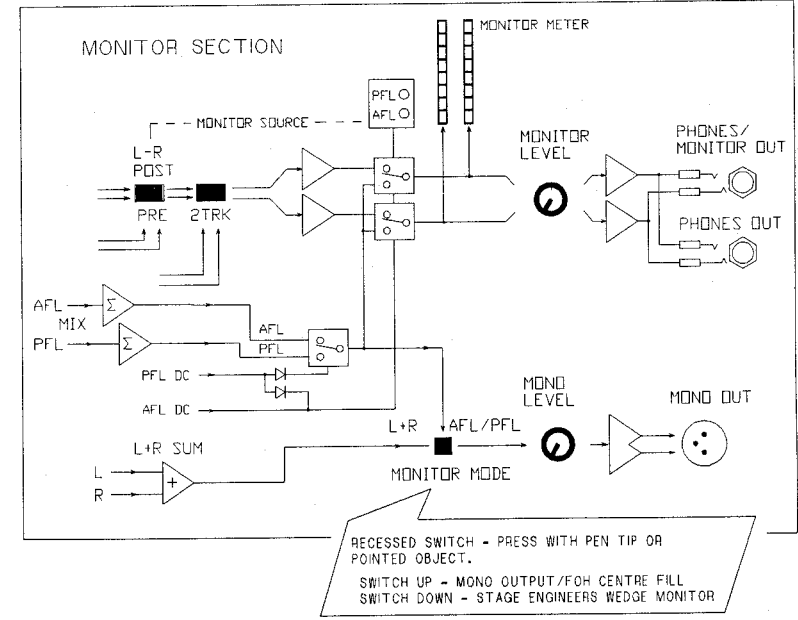
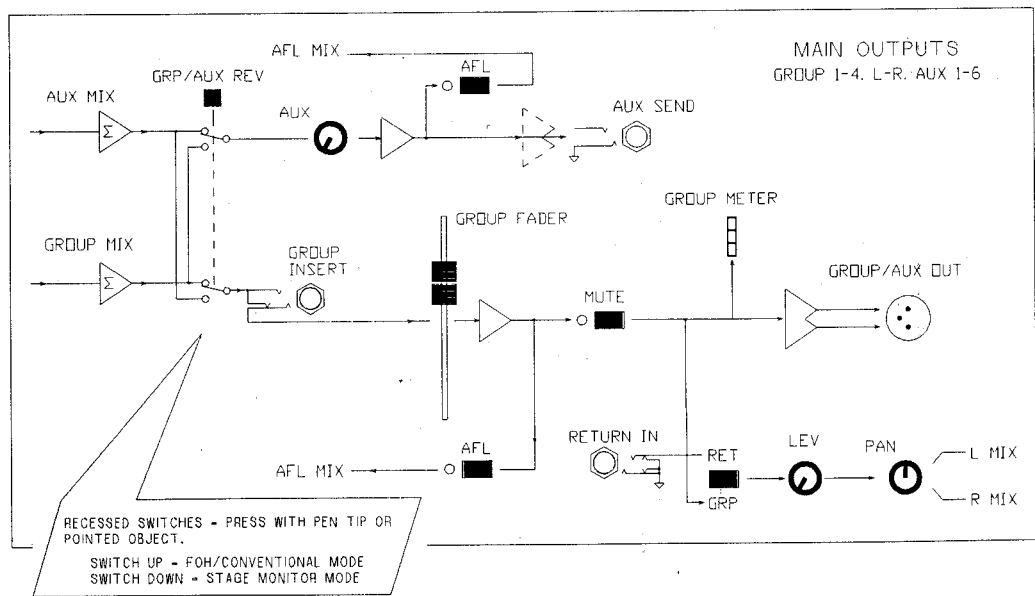
ISS.	REVISION	BY DATE	NOTES	UNIT TITLE	GL2 SHEET 1 OF 2	MANUFACTURED IN ENGLAND BY
P1	ORIGIN	DRP 4-6-93 DRP 30-7-93	1. RESISTORS MARKED # ARE 1% ALL OTHERS ARE 5% 1/4W UNLESS OTHERWISE MARKED 2. ELECTROLYTIC CAPACITORS ARE µF-VOLTS	DRAWING TITLE	GROUP CIRCUIT DIAGRAM PCB TYPE AG0327	ALLEN & HEATH
1						DRAWING No. D224 ISSUE 1 A2



ISS.	REVISION	BY	DATE	NOTES	UNIT TITLE	MANUFACTURED IN ENGLAND BY
P1	ORIGIN	DRP	4-6-93	1. RESISTORS MARKED # ARE 1% ALL OTHERS ARE 5% 1/4W UNLESS OTHERWISE MARKED 2. ELECTROLYTIC CAPACITORS ARE µF/VOLTS	GL2 SHEET 2 OF 2	ALLEN & HEATH
1		DRP	30-7-93		DRAWING TITLE	DRAWING No. D224
					GROUP CIRCUIT DIAGRAM PCB TYPE AG0327	a2

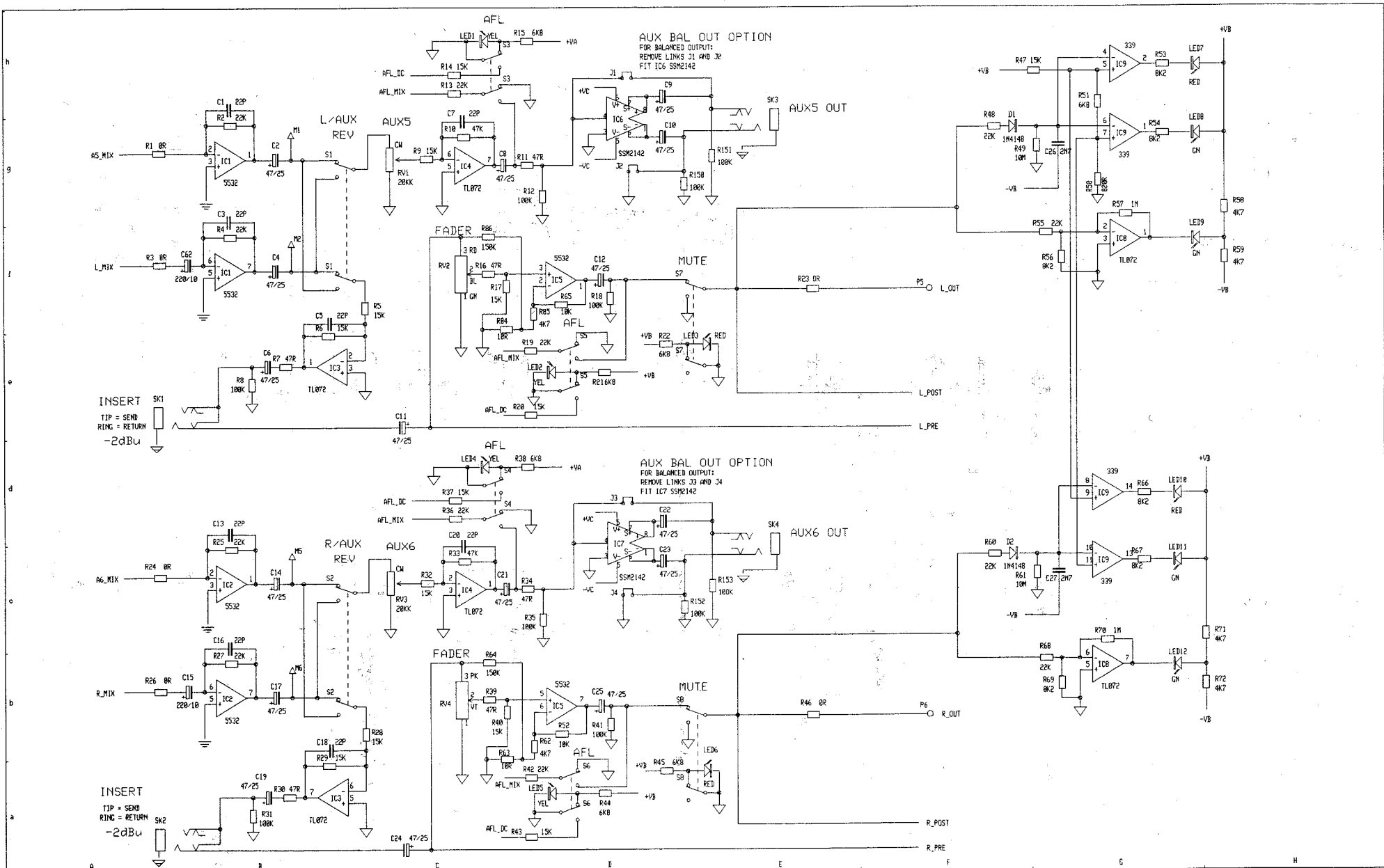
### MODE SWITCHING

These simplified block diagrams illustrate the Group, L/R and Mono signal path switching which configures the GL2 for F.O.H or stage MONITOR use.









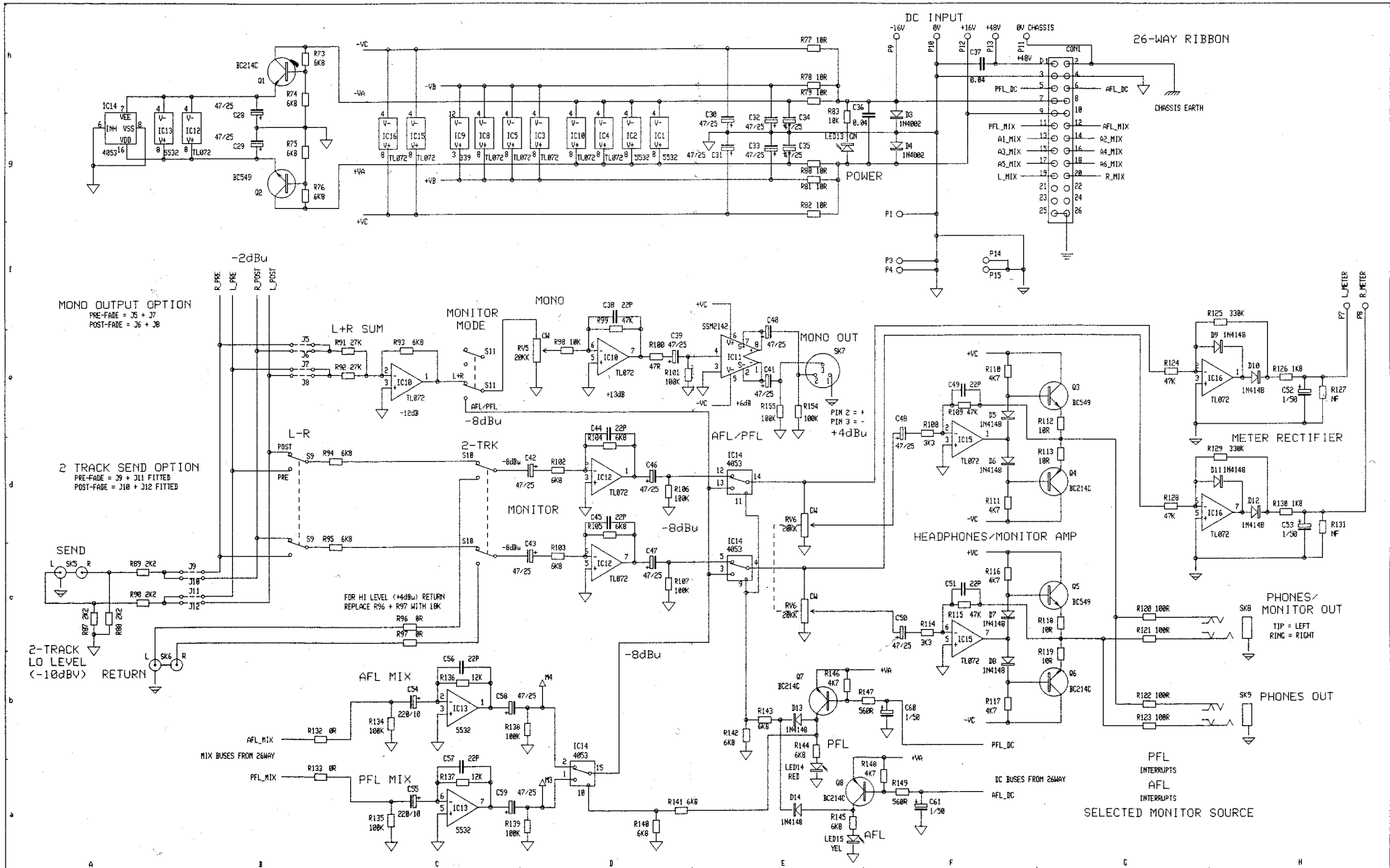
INSERT  
TIP = SEND  
RING = RETURN  
-2dBu

INSERT  
TIP = SEND  
RING = RETURN  
-2dBu

ISS.	REVISION	BY	DATE	NOTES
P1	ORIGIN	CD	8-6-93	1. RESISTORS MARKED # ARE 1% ALL OTHERS ARE 5% 1/4W UNLESS OTHERWISE MARKED 2. ELECTROLYTIC CAPACITORS ARE µF-VOLTS
1		DRP	30-8-93	

UNIT TITLE	GL2	SHEET 1 OF 2
DRAWING TITLE	MASTER CIRCUIT DIAGRAM PCB TYPE AG0328	

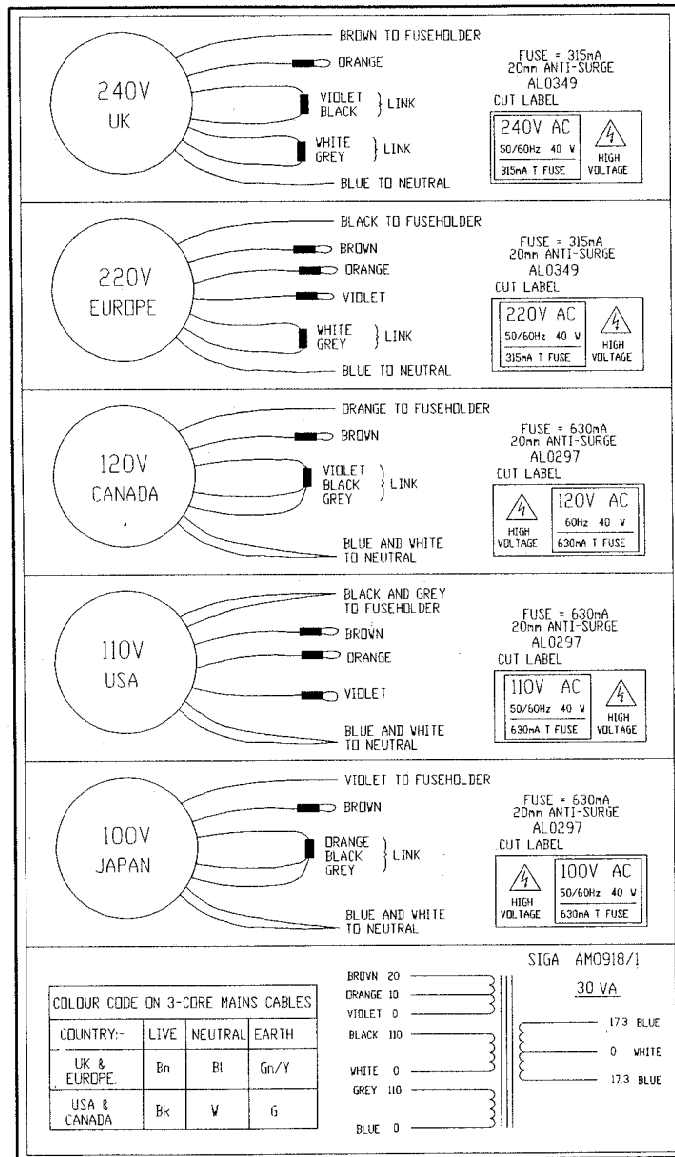
MANUFACTURED IN ENGLAND BY	ALLEN & HEATH	
DRAWING No.	D225	ISSUE 1
		A2



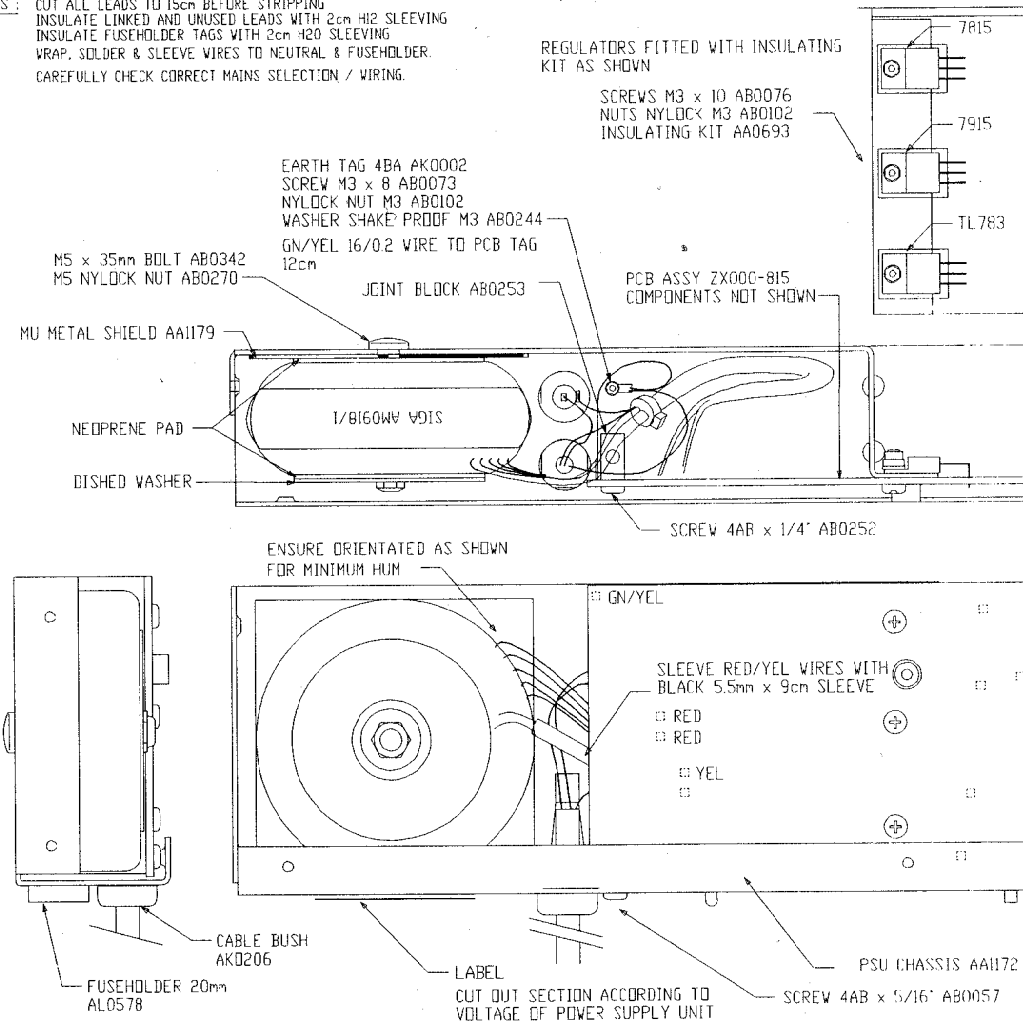
ISS.	REVISION	BY DATE	NOTES	UNIT TITLE	GL2 SHEET 2 OF 2	MANUFACTURED IN ENGLAND BY
P1	ORIGIN	CD 8-6-93 DRP 30-8-93	1. RESISTORS MARKED 4 ARE 1% ALL OTHERS ARE 5% 1/4W UNLESS OTHERWISE MARKED 2. ELECTROLYTIC CAPACITORS ARE µF/VOLTS	DRAWING TITLE	MASTER CIRCUIT DIAGRAM PCB TYPE AG0328	ALLEN & HEATH
						DRAWING No. D225 ISSUE 1 A2

# GL2 TRANSFORMER - MAINS WIRING

— = SLEEVED & UNCONNECTED.



**WIRING NOTES:** CUT ALL LEADS TO 15cm BEFORE STRIPPING  
 INSULATE LINKED AND UNUSED LEADS WITH 2cm HI2 SLEEVING  
 INSULATE FUSEHOLDER TAGS WITH 2cm HI2 SLEEVING  
 WRAP, SOLDER & SLEEVE WIRES TO NEUTRAL & FUSEHOLDER.  
 CAREFULLY CHECK CORRECT MAINS SELECTION / WIRING.

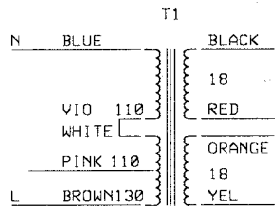


ISSUE	REVISION	BY	DATE	DRAWING TITLE
1	PRODUCTION	DRP	24-9-93	GL2 PSU ASSEMBLY (SIGA AM0918 TRANSFORMER)

ASSEMBLY NUMBERS			
240V ZX000-817	110/120V ZX000-819		
220V ZX000-818	100V ZX000-820		

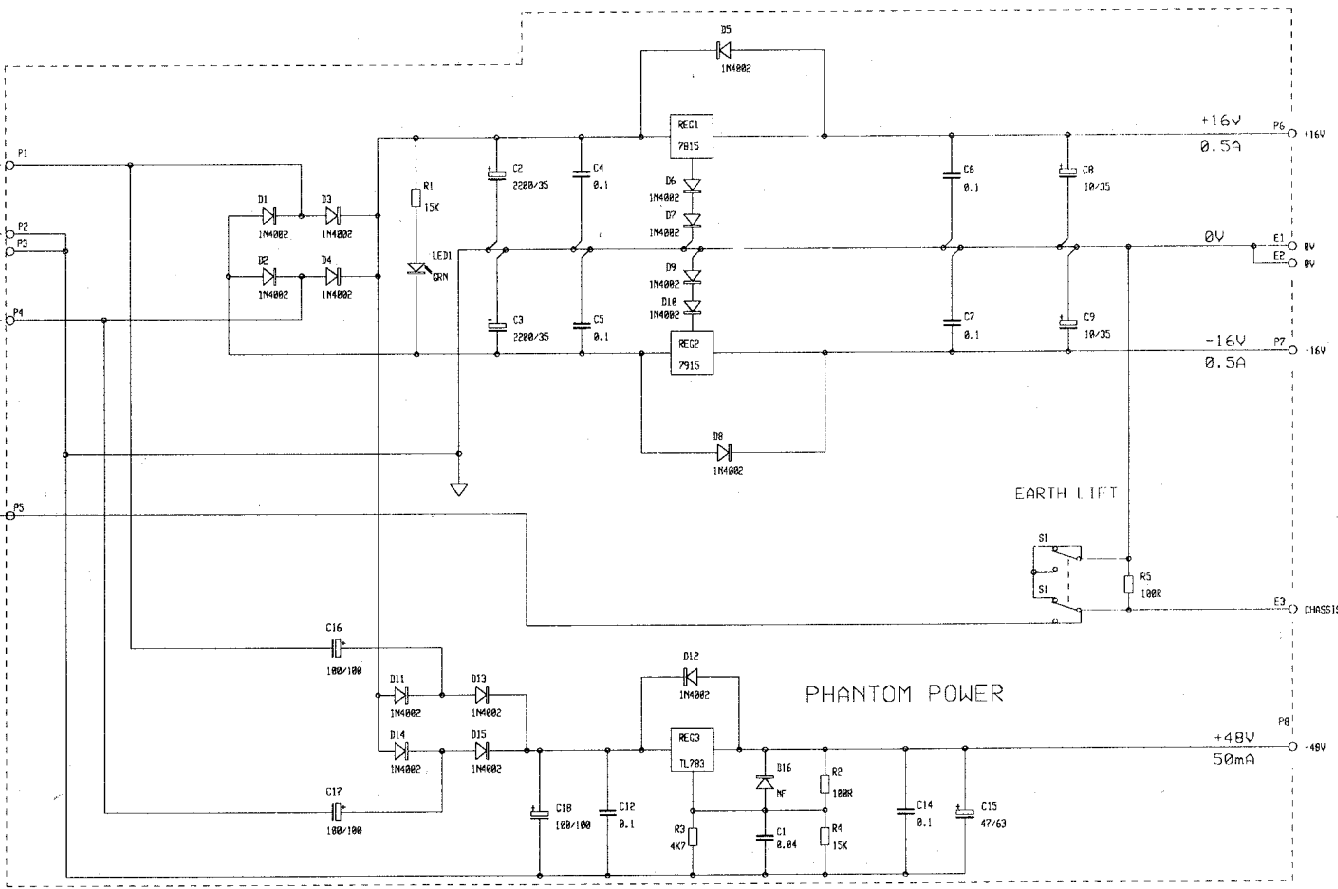
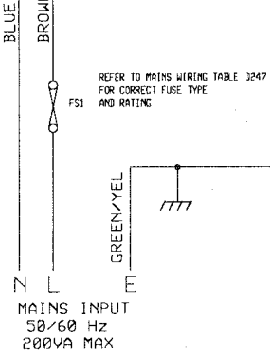
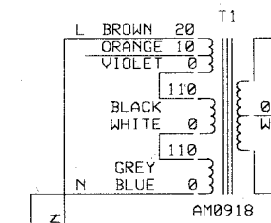
<b>ALLEN &amp; HEATH</b>	ALLEN & HEATH LTD. KERNICK INDUSTRIAL ESTATE, PENRYN, CORNWALL TR10 9LU TEL 0526 372117 FAX 0526 377097
DRAWING No	D247
ISSUE	1

**DANGER - HIGH VOLTAGE !**  
 DISCONNECT POWER BEFORE REMOVING POWER SUPPLY UNIT  
 REFER SERVICE WORK TO QUALIFIED SERVICE PERSONNEL ONLY



BBH COIL & MAN'F  
 F.:77-955

**MAINS TRANSFORMER**  
 REFER TO DRAWING D247



TO MASTER BOARD

EARTH LIFT

PHANTOM POWER

ISS.	REVISION	BY	DATE
1	ORIGIN	DRP	20-7-93
2	R5 100R WAS 22R T1 WIRING CHANGED	DRP	27-8-93
3	D16, C1 ADDED	DRP	28-9-93

**NOTES**

- RESISTORS MARKED \* ARE 1%  
ALL OTHERS ARE 3% 1/4W UNLESS OTHERWISE MARKED
- ELECTROLYTIC CAPACITORS ARE 4F/VOLTS
- REG 1,2,3 MOUNTED ON PSU CHASSIS WITH INSULATING WASHERS

**UNIT TITLE**  
 GL2

**DRAWING TITLE**  
 PSU CIRCUIT DIAGRAM  
 PCB TYPE AG0329

MANUFACTURED IN ENGLAND BY  
**ALLEN & HEATH**

DRAWING No. **D226** ISSUE **3** A2