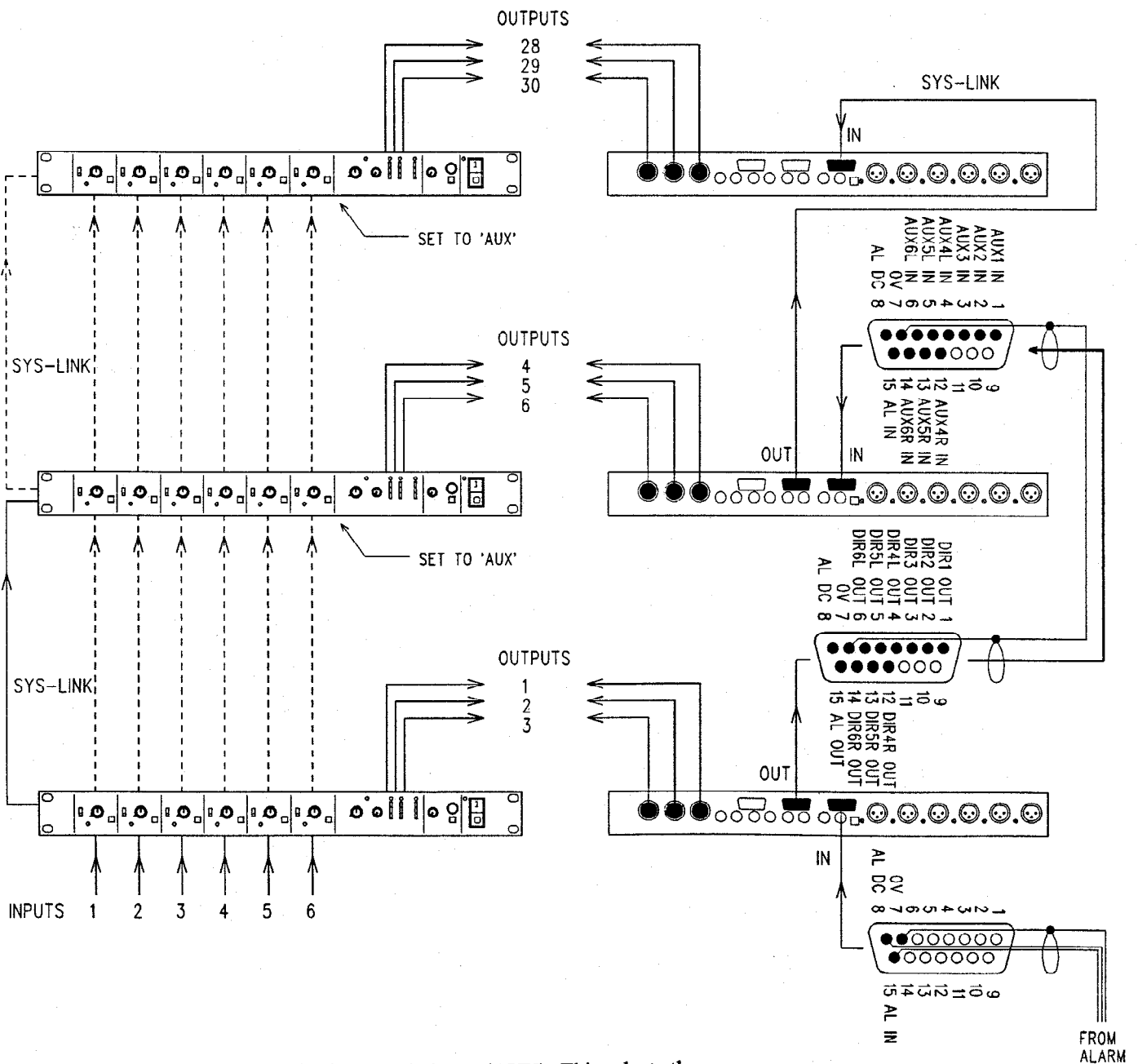


EXPANDING THE OUTPUTS WITH SYS-LINK

The number of outputs may be expanded by connecting *GRI* units together using the SYS-LINK system. This may be used to provide more zone feeds from the 6 input channels. A single cable connects the 6 channel DIR outputs of one unit to the AUX inputs of the next.

Use screened multiway cable connected as shown below to standard 15way D-type male connectors. Do not interconnect the L,R and M outputs to the L,R and M buss inputs when linking the channels. The example shown below includes interconnection of the alarm override system so that one alarm source controls all units simultaneously.



Set the slave unit channel selector switches to 'AUX'. This selects the corresponding signal from the master unit. The DIR OUT pre/post links J17 - J21 should be set to the 'pre' position so that the local level controls do not affect the feeds to the other units.