

# ALLEN & HEATH



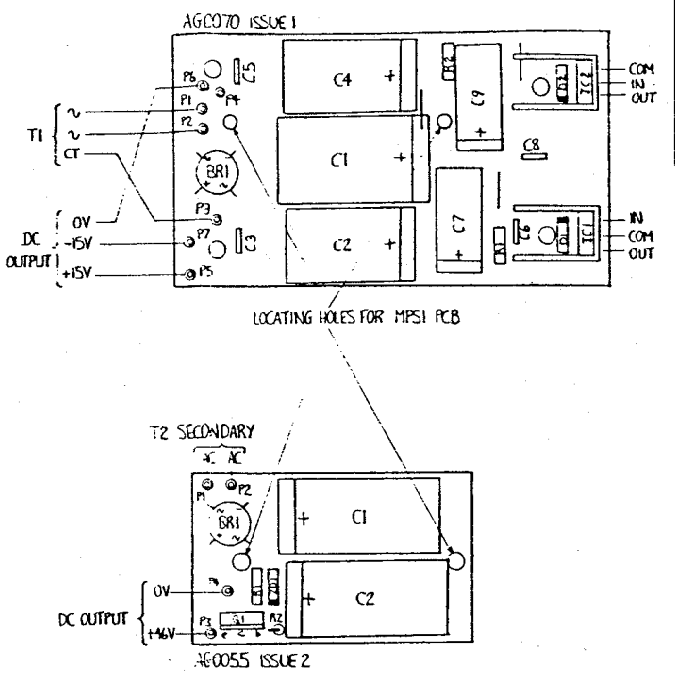
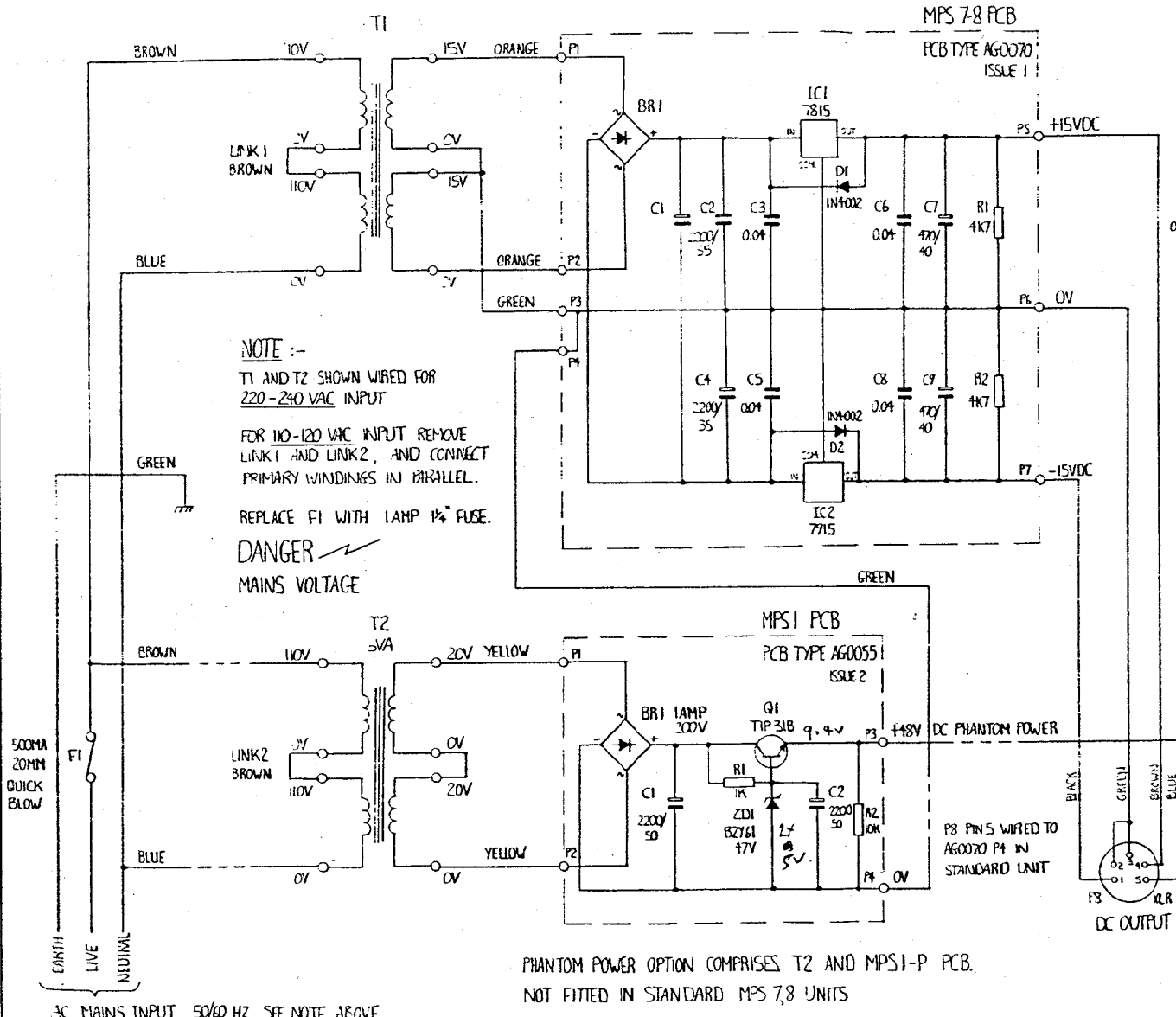
## **WARNING – HIGH VOLTAGES**

Power Supply Unit (PSU) work should only be carried out by qualified personnel.

We recommend that you use an approved Allen & Heath service centre for all power supply work.

Please contact your local Allen & Heath distributor for more details.

<http://www.allen-heath.com/>



VARIATIONS :-

|   |        | AG0070 iss1           |  |                       |
|---|--------|-----------------------|--|-----------------------|
|   |        | T1                    | BR1  | C1                    |
| 1 | MPS 7  | ±15VDC 500MA          | 20 VA  | 1AMP 2200F 200V   50V |
| 2 | MPS 7P | " " WITH PHANTOM PWR. |  |                       |
| 3 | MPS 8  | ±15VDC 1AMP           | 50VA   | 2AMP 2200F 300V   50V |
| 4 | MPS8P  | " " WITH PHANTOM PWR. |  |                       |
| 5 | MPS-P  | +48VDC 50MA           | AVAILABLE IN KIT FORM FOR RETROFIT TO STANDARD UNITS |                       |

|           |             |                |
|-----------|-------------|----------------|
| ISSUE 3   | CP          | 5-11-82        |
| ISSUE 2   | CP          | 1-10-82        |
| No.       | DESCRIPTION | CHKD APPD DATE |
| REVISIONS |             |                |

AHB MPS7, MPS8 CIRCUITS AND GENERAL ARRANGEMENT INCLUDING PHANTOM POWER OPTION

|       |        |         |             |        |       |
|-------|--------|---------|-------------|--------|-------|
| DRAWN | TRACED | CHECKED | APPROVED    | DATE   | SCALE |
| CP    |        |         | [Signature] | 9-9-82 |       |

DRAWING No. 283 ISSUE 3